

P2 CONN TYPE	FIG NO	P1 CONN TYPE				
		PL150 SCHEMATICS				
		E1	E2	E3	E4	E5
		DASH NUMBERS				
PL20	1A	-1	-2	-3	-4	-5
UPL20	1A	-6	-7	-8	-9	-10
CJ20	2A	-11	-12	-13	-14	-15
UCJ20	2A	-16	-17	-18	-19	-20
BJ28	4A	-21	-22	-23	-24	-25
UBJ28	4A	-26	-27	-28	-29	-30
BJ29	3A	-31	-32	-33	-34	-35
UBJ29	3A	-36	-37	-38	-39	-40
PL40	1B	-41	-42	-43	-44	-45
UPL40	1B	-46	-47	-48	-49	-50
CJ40	2B	-51	-52	-53	-54	-55
UCJ40	2B	-56	-57	-58	-59	-60
BJ46	4B	-61	-62	-63	-64	-65
UBJ46	4B	-66	-67	-68	-69	-70
BJ49	3B	-71	-72	-73	-74	-75
UBJ49	3B	-76	-77	-78	-79	-80
PL95	5	-81	-82	-83	-84	-85
UPL95	5	-86	-87	-88	-89	-90
BJ95	6A	-91	-92	-93	-94	-95
UBJ95	6A	-96	-97	-98	-99	-100
BJ96	6B	-101	-102	-103	-104	-105
UBJ96	6B	-106	-107	-108	-109	-110

INCH	MM
.005	0.13
.030	0.76
.187	4.75
.203	5.18
.218	5.54
.221	5.61
.281	7.14
.284	7.21
.505	12.83
.510	12.95
.562	14.27
.588	14.93
.570	14.48
.594	15.09
.825	20.94
.830	21.08
.835	21.21
.750	19.05
.810	20.57
.827	21.01
1.948	49.48
1.977	50.22
2.014	51.18
2.017	51.23
2.293	58.24
2.407	61.14
2.414	61.32

FIG 1A (P1)
-1 SHOWN
FIG 1B (P1)
-44 SHOWN

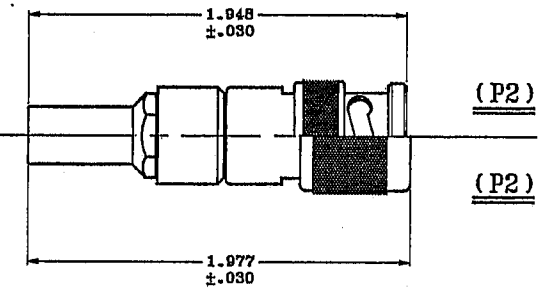


FIG 2A (P1)
-11 SHOWN
FIG 2B (P1)
-55 SHOWN

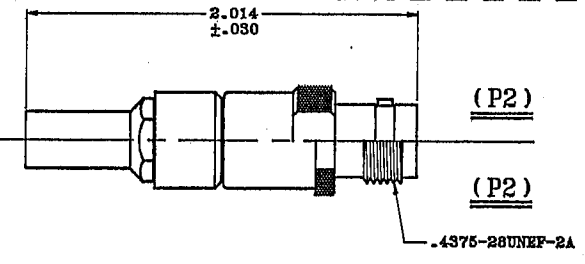


FIG 3A (P1)
-31 SHOWN
FIG 3B (P1)
-71 SHOWN

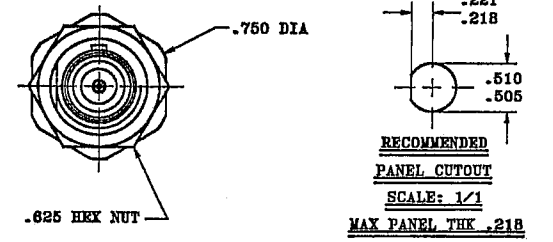
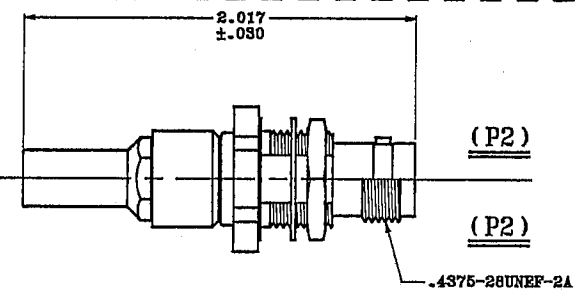


FIG 4A (P1)
-21 SHOWN
FIG 4B (P1)
-61 SHOWN

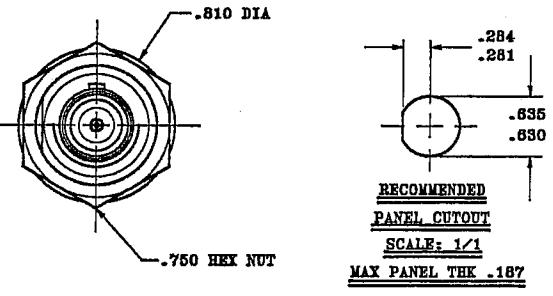
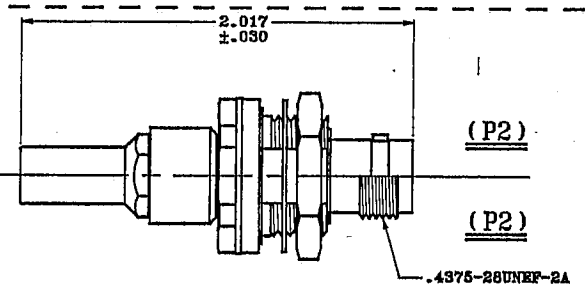


FIG 5 (P1)
-81 SHOWN

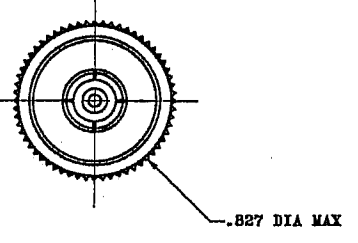
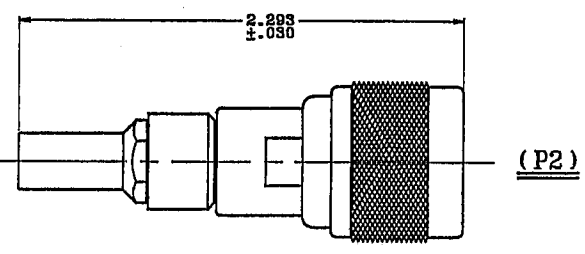
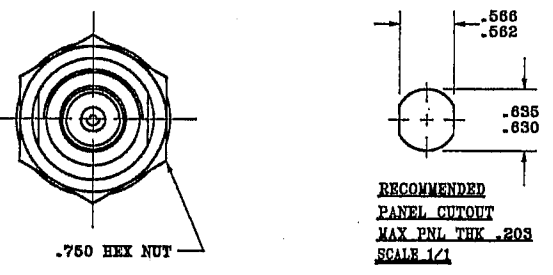
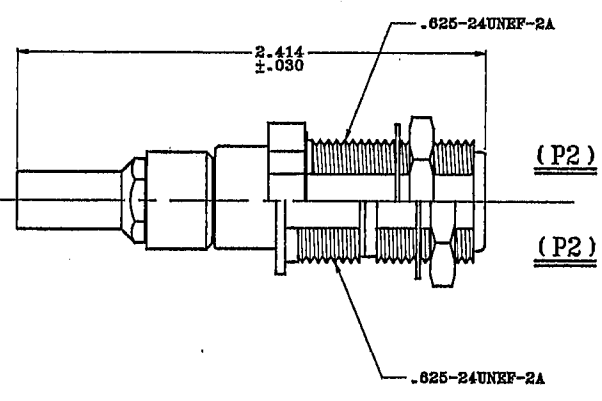
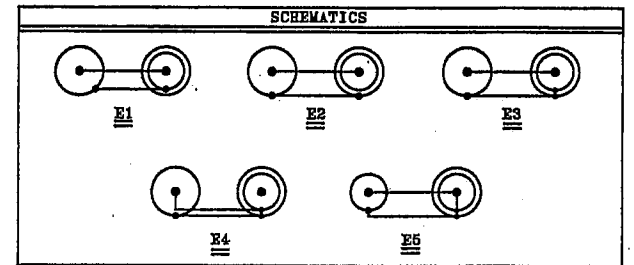


FIG 6A (P1)
-91 SHOWN
FIG 6B (P1)
-105 SHOWN



RED INDICATES ORIGINAL



5. EXAMPLE OF COMPLETE MODEL NO:
AD - PL150 - E1 - PL20
ADAPTER (P1) CONN TYPE (P2) CONN TYPE SCHEMATIC

4. EXAMPLE OF COMPLETE PART NO:
22-10-1
BASIC PART NO DASH NO

3. BETWEEN SERIES ADAPTER, SUBMINIATURE CONCENTRIC TWINAX/TRIAX PATCH PLUG TO 50 & 75 OHM BNC/TNC CABLE PLUG/RECEPTACLE/INSULATED/NON-INSULATED BULKHEAD MOUNT RECEPTACLE/50 & 75 OHM "N" CABLE PLUG/ NON-INSULATED/INSULATED BULKHEAD MOUNT RECEPTACLE

2. FINISH: TFS-1A (NICKEL)
1. ALL DIM ARE IN INCHES

QTY	DESCRIPTION	PART NUMBER	ITEM
TOL UNLESS SPECIFIED	TROMPETER ELECTRONICS, INC.	ADAPTERS PL150 TO BNC/TNC/N SERIES	REV
.XX ± .005			
.XXX ± .005			
ANGLES:			
DWN RAG 8/22/87	MATERIAL	CODE IDENT	DRAWING NO.
CHK F3 6-26-87		14949	22-10
ENGR BHM 7-21-87	SCALE 2/1	DATE 7-22-87	SHEET 1 OF 2
NEXT ASSY	APPR		