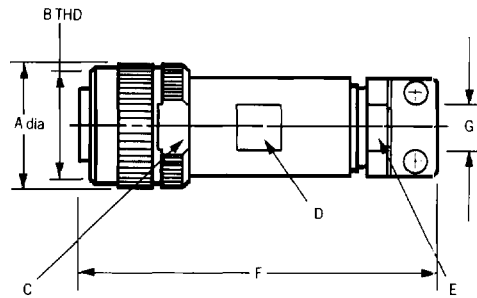
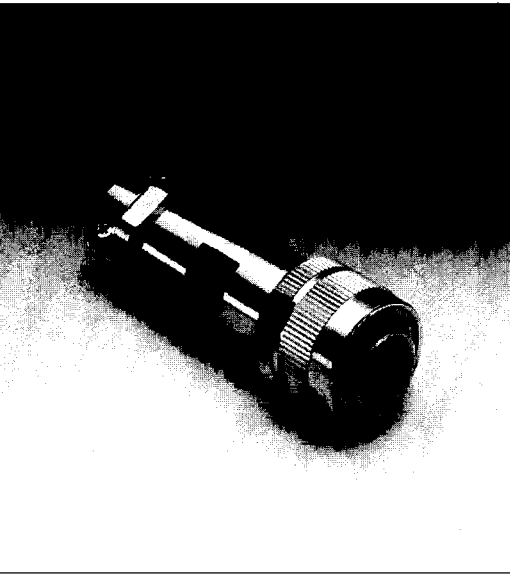


# SERIES TC1108

# WATERPROOF FREE PLUG

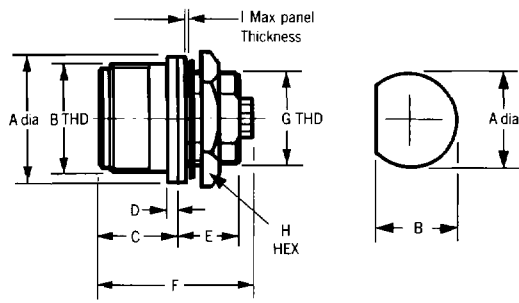


No. of Contacts	Part Number	Dimensions (mm)						I.D
		A	B	C	D	E	F	
2	1108-12B10-2AM8.3	21.0	M18	19.0	15.0	16.0	60.0	8.3
3	1108-12B10-3AM8.3							
4	1108-12B10-4M8.3							
5	1108-12B10-5M8.3							
7	1108-12B10-7M8.3							
8	1108-12B16-8AM ( )	27.0	M24	25.0	19.0	19.0	63.0	11.8
14	1108-12B16-14M ( )				21.0	21.0		13.5
12	1108-12B20S-12M14.3	34.0	M30	32.0	23.0	26.0	64.0	14.3
19	1108-12B20S-19M14.3							
21	1108-12B26S-21M16.3							
37	1108-12B26S-37M16.3	40.0	36.0	38.0	27.0	27.0	74.5	16.3

No. of Contacts	2	3	4	5	7	8	14	12	19	21	37	
Current rating	10A	10A	5A	5A	5A	10A	5A	10A	4A	10A	3A	
Voltage rating (AC. V rms)	600V	350V	400V	350V	300V	400V	350V	400V	400V	400V	400V	
Withstand voltage (AC. V. rms)	1800V	1000V	1200V	1000V	900V	1200V	1000V	1200V	1200V	1200V	1200V	
Hole size (for contact)												
Insulation resistance	500V DC 2,000mΩ min.											
Contact resistance	3V DC 1A 5mΩ max.											
Shock	50g											
Vibration	MIL-STD-202E-201A											
Moisture resistance	MIL-STD-202E-103B											
Corrosion	MIL-STD-202E-101D											
Temperature range	-25°C to +85°C											
Water-proofing property	Withstand water pressure = 3kg/cm <sup>2</sup> (atg)											
Materials: shell	Brass, nickel plated											
Contact	Copper alloy, gold plated											
Insulation	Synthetic resin											
Conductor	A.W.G.	16 SWG	16 SWG	20 SWG	20 SWG	20 SWG	16 SWG	20 SWG	16 SWG	20 SWG	16 SWG	20 SWG
Cable	Square (mm <sup>2</sup> )	1.25	1.25	0.5	0.5	0.5	1.25	0.5	1.25	0.5	1.25	0.5

# WATERPROOF BULKHEAD SOCKET

# SERIES TC1108



No. of Contacts	A∅	B	C
2,3,4,5,7	15.2	14.2	6.6
8,14	21.2	20.2	9.6
12,19	26.2	25.2	12.1
21,37	32.2	31.2	15.1

No. of Contacts	Part Number	Dimensions (mm)								
		A	B	C	D	E	F	G	H	I
2	1108-23A10-2AF	21.0	M18	12.5	1.5	10.0	26.0	M15	19.0	4.0
3	1108-23A10-3AF									
4	1108-23A10-4F									
5	1108-23A10-5F									
7	1108-23A10-7F	27.0	M24	12.5	1.5	10.0	26.0	21.0	26.0	4.0
8	1108-23A16-8AF									
14	1108-23A16-14F									
12	1108-23A20S-12F	33.0	M30	13.5	2.0	11.0	26.0	26.0	32.0	3.5
19	1108-23A20S-19F									
21	1108-23A26S-21F									
37	1108-23A26S-37F	39.0	36.0	13.5	2.5	11.0	26.0	32.0	38.0	3.5

