



# Series 501 Standard DIP Sockets with Wire Wrap Bifurcated Contacts

## FEATURES:

- Standard DIP Sockets are available with solder tail or wire wrap pins, all with bifurcated contacts. Consult Data Sheet No. 12004 for solder tail pins.
- Aries offers these standard DIP sockets in more sizes than any other manufacturer.

## SPECIFICATIONS:

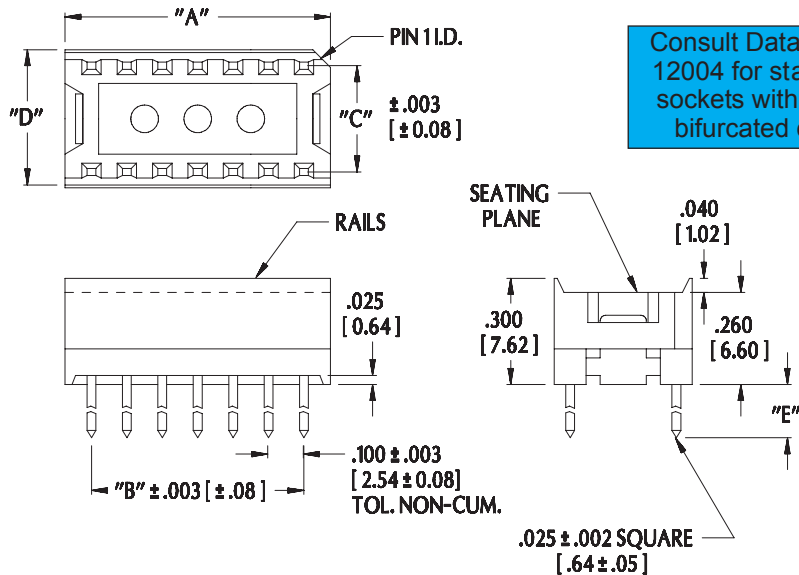
- Standard body material is black UL 94 V-0 Glass-filled 4/6 Nylon.
- Bifurcated contacts are Grade A spring-tempered Phosphor Bronze per QQ-B-750.
- Pin plating is:
  - 1 = 10µ" [1.27µm] min. Gold per MIL-G-45204 over 50µ" [1.27µm] min. Nickel per SAE-AMS-QQ-N-290.
  - 0 = 200µ" min Matte Tin per ASTM B545-97 over 50µ" min Nickel per SAE-AMS-QQ-N-290.
  - OTL = 200µ" min. 90/10 Tin/Lead per MIL-T-10727 Type 1 over 50µ" min. Nickel per SAE-AMS-QQ-N-290.
- Contact current rating=1.5 Amps.
- Insertion Force=110 grams/pin average; Withdrawal Force=75 grams/pin average.
- Operating Temp. =-67°F to 221°F [-55°C to 105°C] Tin =-67°F to 257°F [-55°C to 125°C] Gold
- Accepts flat leads up to .014 thk. x .020 wide [.36-.51], round leads up to .020 [.51] in diameter.
- Socket accepts lead lengths from seating plane from .075-.160 [1.91-4.06].

## MOUNTING CONSIDERATIONS:

- Suggested PCB hole size=.045 ± .002 [1.12 ± .05]. dia.

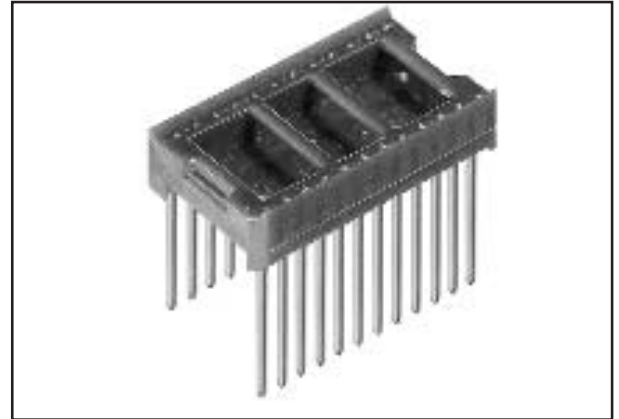
## ALL DIMENSIONS: INCHES [MILLIMETERS]

All tolerances ± .005 [.13] unless otherwise specified



"A"=(NO. OF PINS PER ROW X .100 [2.54]) + .050 [1.27]

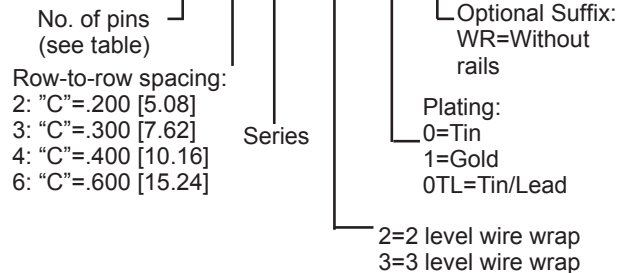
"B"=(NO. OF PINS PER ROW - 1) X .100 [2.54]



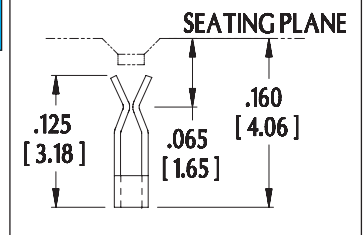
Note: Aries specializes in custom design and production. In addition to the standard products shown on this page, special materials, platings, sizes, and configurations can be furnished, depending on quantities. Aries reserves the right to change product specifications without notice.

## ORDERING INFORMATION

XX-X501-XXXXXX



## CONTACT DETAIL



Wire wrap	Length "E"
2 level	.410 [10.41]
3 level	.690 [17.52]

Centers "C"	Width "D"	Available Sizes
.200 [5.08]	.290 [7.36]	8, 10
.300 [7.62]	.390 [9.90]	8, 14-20
.400 [10.16]	.490 [12.45]	22
.600 [15.24]	.690 [17.54]	8-24, 28-40, 48



Bristol, PA USA  
 TEL: (215) 781-9956  
 FAX: (215) 781-9845



12005  
 REV. D