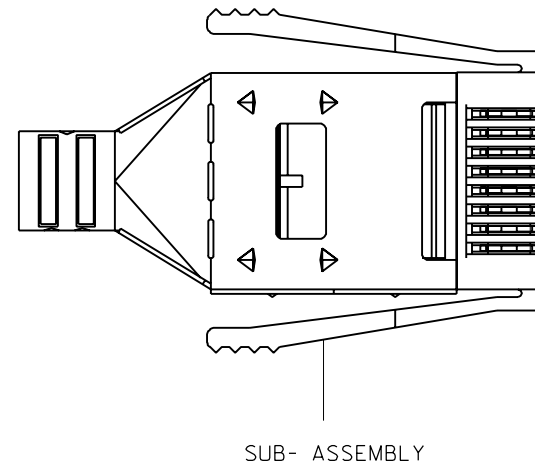
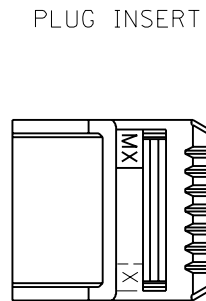
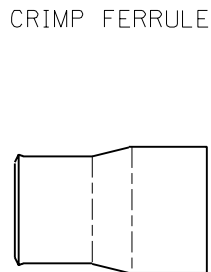
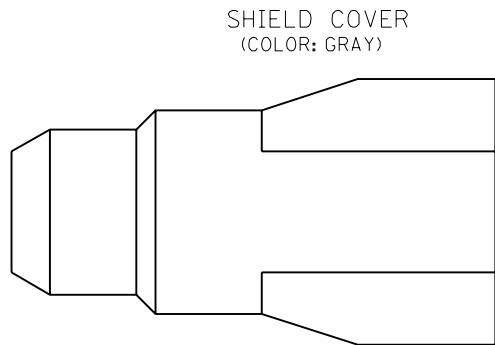


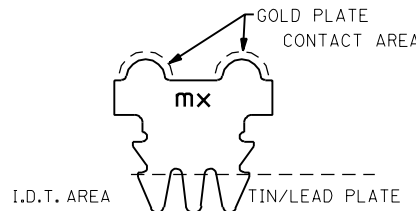
NON-KEYED OPTION MS-71310-0***C		KEYING OPTION "1" MS-71310-1***C		KEYING OPTION "2" MS-71310-2***C		HSG. SIZE	CKT SIZE	DIM. "A"		DIM. "B"		DIM. "C"	
E.D.P. NUMBER	ENG. NUMBER	E.D.P. NUMBER	ENG. NUMBER	E.D.P. NUMBER	ENG. NUMBER			MM	IN.	MM	IN.	MM	IN.
015-83-1104	MS-71310-0004C	015-83-1124	MS-71310-1004C	015-83-1144	MS-71310-2004C	4	4	9,30	.366	12,07	.475	17,22	.678
015-83-1106	MS-71310-0006C	015-83-1126	MS-71310-1006C	015-83-1146	MS-71310-2006C	6	6	11,84	.466	14,61	.575	19,76	.778
015-83-1108	MS-71310-0008C	015-83-1128	MS-71310-1008C	015-83-1148	MS-71310-2008C	8	8	14,38	.566	17,15	.675	22,30	.878
015-83-1116	MS-71310-0016C	015-83-1136	MS-71310-1016C	015-83-1156	MS-71310-2016C	16	16	24,54	.966	27,31	1.075	32,46	1.278



**ROUND CABLE PLUG KIT**

**NOTES:**

- FOR ILLUSTRATION PURPOSES 8 CIRCUIT SHOWN.
- MUST CONFORM TO AS-71310 AND PS-71350-A.
- REFER TO PK-70873-0053 FOR STANDARD PACKAGING.
- MATERIAL:**  
 PLUG HOUSING: POLYCARBONATE ALLOY; COLOR: CLEAR  
 PLUG SHIELD: BRASS WITH 100 MICRØINCH TIN PLATE OVER 50 MICRØINCH NICKEL. (MOLEX ES-88 CODE 154)  
 CONTACTS: PHOSPHOR BRONZE, 50 MICRO-INCH GOLD SELECTIVE PLATE IN THE CONTACT AREA, 50 MICRO-INCH TIN/LEAD SELECTIVE PLATE IN THE IDT AREA, BOTH OVER 50 MICRO-INCH NICKEL UNDERPLATE. (MOLEX ES-88 CODE 575).  
 PLUG INSERT: POLYCARBONATE ALLOY; COLOR: CLEAR.  
 CRIMP FERRULE: COPPER WITH 100 MICROINCHES OF BRIGHT TIN PLATE OVER 50 MICROINCHES OF NICKEL UNDERPLATE. (MOLEX SPEC ES-88 CODE 154)  
 SHIELD COVER: POLYESTER, UL 94V-0, COLOR: GRAY



**SIDE VIEW OF CONTACT**

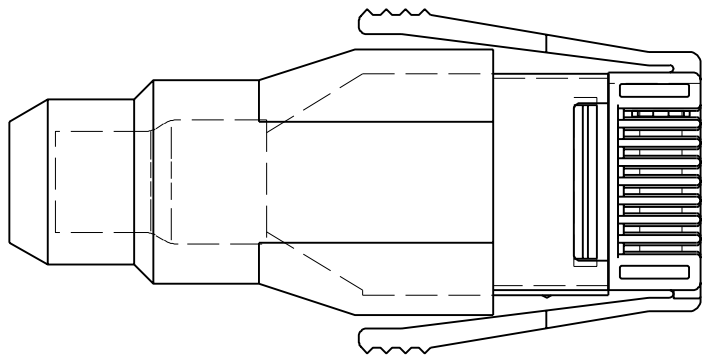
MATERIAL: SEE NOTE 4

SEE SHEET 2 FOR KEYING & DIMS.

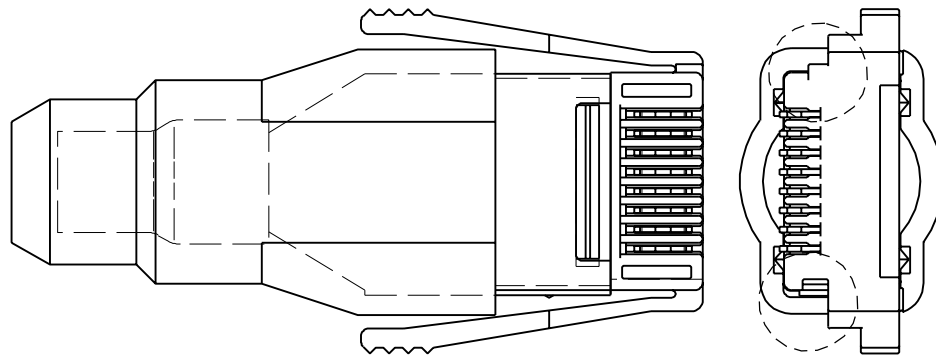
A1	CHG. NOTE 2 PER UD12002-0476 01/09/25 ICARIKCI
A	X - REMOVED PER U12257 9/11/21 RB
I	X - RELEASE PER U11780 9/1/0/29 RB

A	2	A
A1	1	A1
MFG. SH.	REV.	LTR.
REVISIONS		

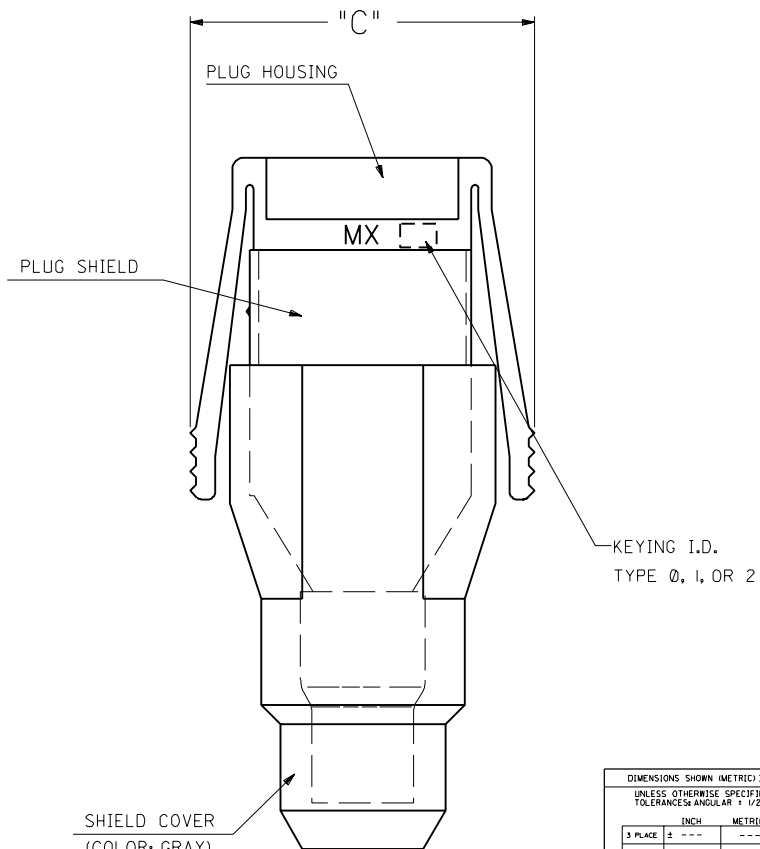
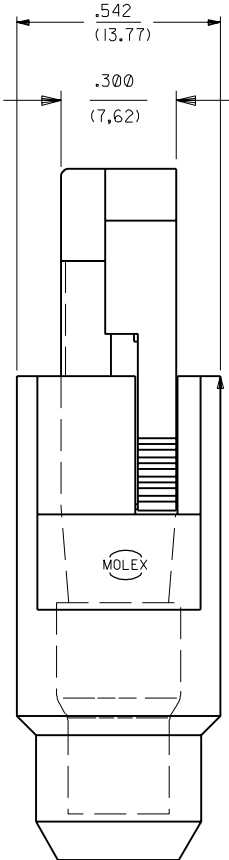
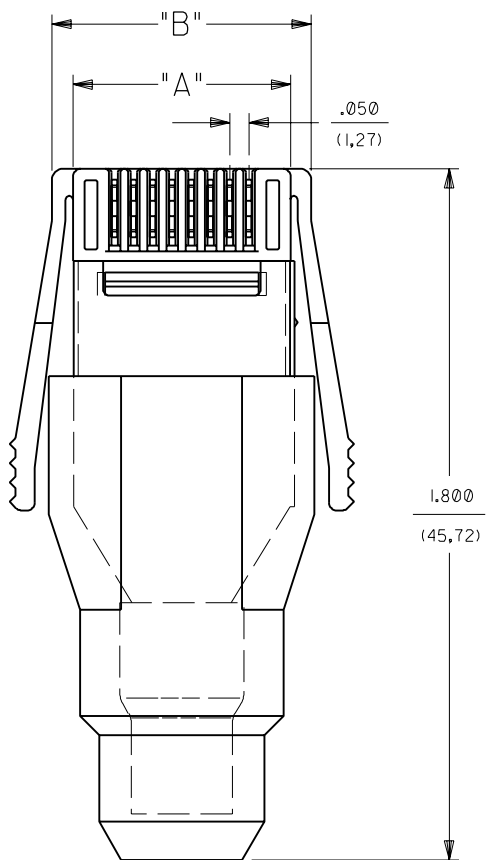
DIMENSIONS SHOWN (METRIC) INCH UNLESS OTHERWISE SPECIFIED TOLERANCES ANGULAR ± 1/2°		REVISIONS	
3 PLACE ± ---	INCH	FILE NAME	STANDARD SEMCONN PLUG ASSEMBLY SHIELDED ROUND CABLE W/ GRAY SHIELD COVER
2 PLACE ± --- ± ---	METRIC	MOLEX INCORPORATED	SHEET NO. DATE
1 PLACE --- ± ---		U.S.A.	1 OF 2 9/1/0/29
DRAFT WHERE APPLICABLE MUST REMAIN WITHIN DIMENSIONS		SEE CHART	
DRWG. BY: RB	CHK'D BY: RB	SDMS-71310-0000C	
APP'D BY: MJM	SCALE: 4 : 1	THIS DRAWING CONTAINS INFORMATION THAT IS PROPRIETARY TO MOLEX INC. AND SHOULD NOT BE USED WITHOUT WRITTEN PERMISSION.	



KEYING OPTION "1"



KEYING OPTION "2"



TERMINATED VIEWS

A	SEE SHEET I
I	SEE SHEET I

DIMENSIONS SHOWN (METRIC) INCH		▽ = 0		▼ = 0		REVISE ONLY ON CAD SYSTEM	
UNLESS OTHERWISE SPECIFIED TOLERANCES ANGULAR ± 1/2°							
3 PLACE	±	---	---	---	---	---	---
2 PLACE	±	---	---	---	---	---	---
1 PLACE	---	±	---	---	---	---	---
DRAFT WHERE APPLICABLE MUST REMAIN WITHIN DIMENSIONS							
DRWG. BY	RB	CHK'D. BY	RB	FILE NAME	SEE CHART	DRWG. NO.	SDMS-71310-***C
APP'D. BY	MJM	SCALE	4 : 1	THIS DRAWING CONTAINS INFORMATION THAT IS PROPRIETARY TO MOLEX INC. AND SHOULD NOT BE USED WITHOUT WRITTEN PERMISSION.		DIV.	D

71310