

**SSCF-2P2 Series**  
**SC DUPLEX HOUSING**  
**( $\phi$ 2.0mm / Push-pull Type)**

**TECHNICAL SPECIFICATIONS**

**Seiko Instruments Inc.**

Components Sales Dept.

8, Nakase 1-Chome

Mihama-ku, Chiba-shi, Chiba-ken

261 JAPAN

Telephone : 043-211-1214

-1215

Facsimile : 043-211-8035

SSCF-2P2 Series SC DUPLEX HOUSING (  $\phi$  2.0mm / Push-pull Type )  
TECHNICAL SPECIFICATIONS

Document Number NCD-62B4-02

NCD-62B4-01            February 1996  
NCD-62B4-02            March 1996

Copyright 1996 by **Seiko Instruments Inc.**  
All right reserved.

The information contained herein shall not reproduced or disclosed to any third party without the express written consent of **SII**.

The Specifications contained herein are subject to change without notice.

**SII** is a trademark of **Seiko Instruments Inc.**

Please address any questions, comments, and suggestions to:

**Seiko Instruments USA Inc.**

Electronics Components Division  
2990 West Lomita Boulevard  
Torrance, CA 90505, U.S.A.  
Phone: 310-517-7780  
Fax: 310-517-7792

**Seiko Instruments (H.K.) Ltd.**

Sales Department  
4th & 5th Floor, Wyler Center 2  
200 Tai Lin Pai Road, Kwai Chung  
N.T., Kowloon, Hong Kong  
Phone: 852-2421-8611  
Fax: 852-2480-5479

**Seiko Instruments Singapore pte. Ltd.**

2, Marsiling Lane,  
Woodlands New Town,  
Singapore, 2573, Singapore  
Phone: 65-2691370  
Fax: 65-2699729

**Seiko Instruments GmbH**

OFC Division  
Siemensstraße 9b  
D-63263 Neu-Isenburg, Germany  
Phone: 06102-297-0  
Fax: 06102-297-211

**Seiko Instruments Taiwan Inc.**

Sales Department  
5F-1, No.99, Sec. 2, Chung Shan  
Rd.  
Taipei 104, Taiwan, R.O.C.  
Phone: 02-563-5001, 523-5111  
Fax: 02-521-9519

## TABLE OF CONTENTS

| Section                   | Page |
|---------------------------|------|
| 1. PROVISION              | 1    |
| 1.1 Application Limit     | 1    |
| 2. PARTS NUMBER           | 1    |
| 3. GENERAL SPECIFICATIONS | 2    |
| 3.1 Parts and Materials   | 2    |
| 3.2 Physical Dimensions   | 2    |
| 3.3 General Tolerances    | 2    |
| 4. PACKING                | 3    |

### Table

|         |                     |   |
|---------|---------------------|---|
| Table 1 | Parts Number        | 1 |
| Table 2 | Parts and Materials | 2 |
| Table 3 | General Tolerance   | 2 |

### Figure

|                |   |         |
|----------------|---|---------|
| Figure 1       | SSCF-2P2 Housing (Synthetic rubber Hood type) | 4       |
| Figure 2       | SSCF-2P2 Housing (Plastic Hood type)          | 5       |
| Figure 3 to 11 | Part Dimensions                               | 6 to 10 |



1. PROVISION

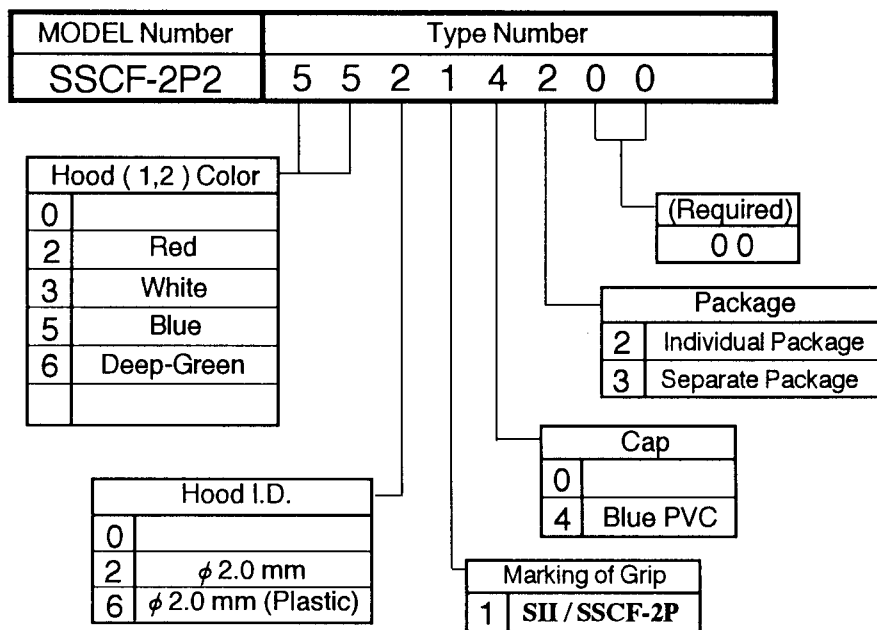
1.1 Application Limit

These specifications apply to the SSCF-2P2 SC DUPLEX HOUSING (  $\phi$ 2.0mm / Push-pull Type ) supplied by **SII**.

2. PARTS NUMBER

Parts Number of the Housing is Shown in Table 1.

Table 1 Parts Number



### 3. GENERAL SPECIFICATIONS

#### 3.1 Parts and Materials

Parts and the Materials are shown in Table 2.

Table 2 Parts and Materials

| No. | Part Name     | Q'ty | Material         | Notes  |
|-----|---------------|------|------------------|--|
| ①   | Grip          | 1    | Plastics         | Blue , UL94 V-0                                    |
| ②   | Plug frame    | 2    | Plastics         | White , UL94 V-0                                   |
| ③   | Spring        | 2    | Stainless Steel  | - -  |
| ④   | Stop ring     | 2    | Brass            | Nickel Plating                                     |
| ⑤   | Crimping ring | 2    | Aluminum         | - -  |
| ⑥   | Ring          | 2    | Stainless Steel  | - -  |
| ⑦-a | Hood          | 2    | Synthetic Rubber | Hood Color Shows Table 1                           |
| ⑦-b |               |      | Plastics         | Hood Color Shows Table 1, UL94 V-0 Bend Proof type |
| ⑧   | Cap           | 2    | PVC              | Blue   |

#### 3.2 Physical Dimensions

Figure 1 to 2 show the assembled state of SSCF-2P2.

Figure 3 to 11 show the part dimension.

- Compatible with NTT SCF-2PH plug housing

#### 3.3 General Tolerances

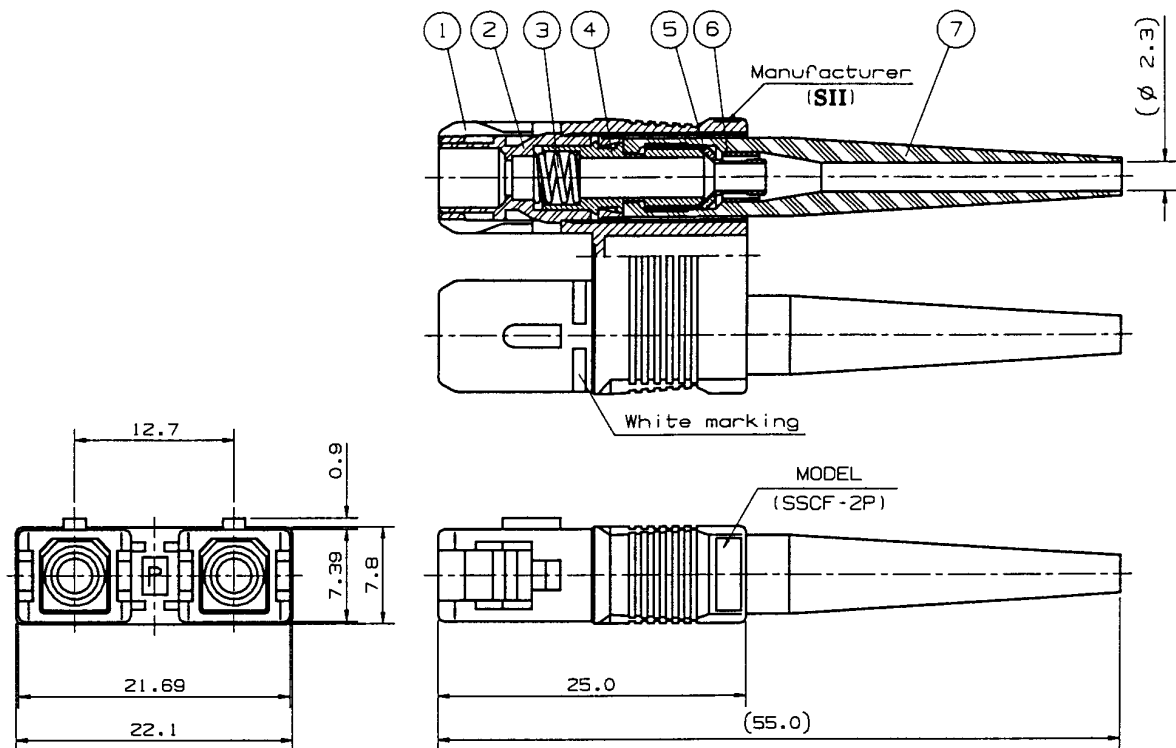
Permissible deviation in dimensions without tolerance indication is in accordance with JIS B 0405 class m, as shown in Table 3.

Table 3 General Tolerance (JIS B 0405 class m)

| Basic size step (mm) |       | Permissible deviation (mm) |
|----------------------|-------|----------------------------|
| Over                 | Under |                            |
| 0.5                  | 3     | $\pm 0.1$                  |
| 3                    | 6     | $\pm 0.1$                  |
| 6                    | 30    | $\pm 0.2$                  |
| 30                   | 120   | $\pm 0.3$                  |

#### 4. PACKING

The product is packed to prevent damage during shipping.

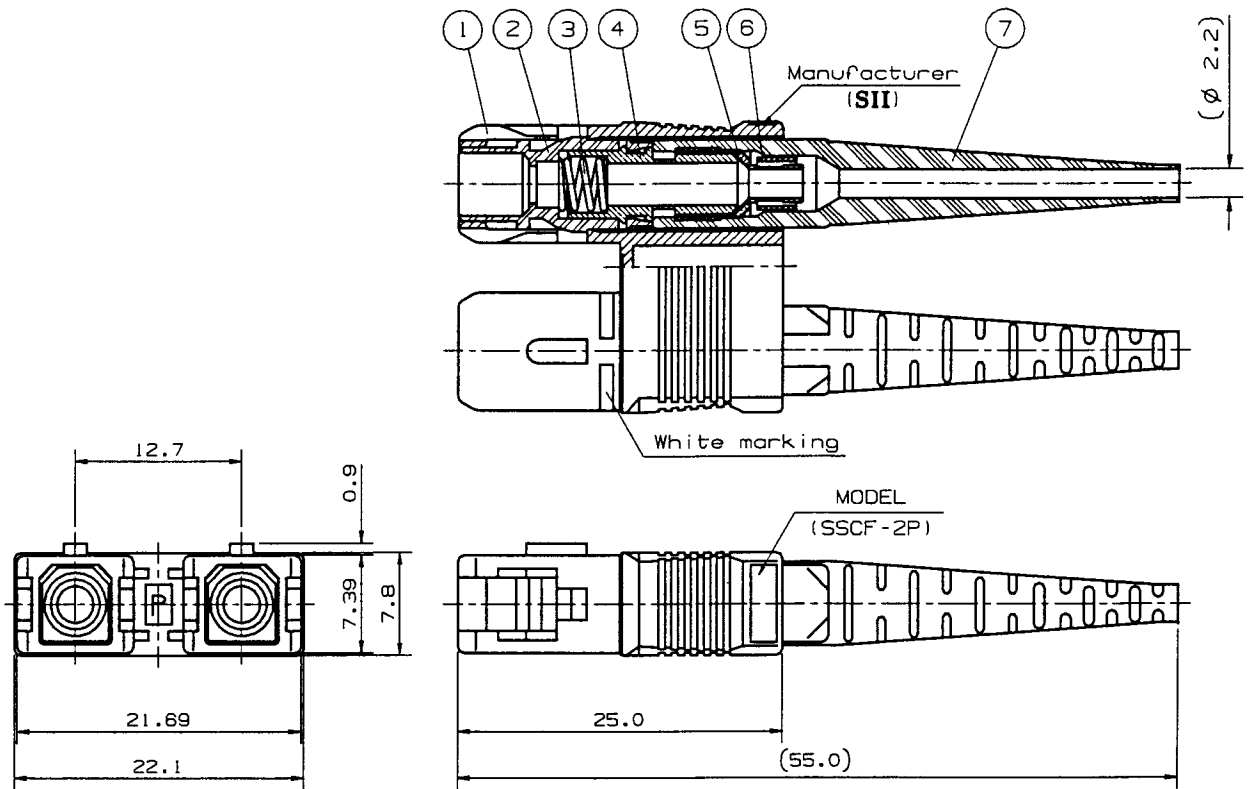


note.1: This drawing Shows the Tentatively assembled condition. In practice, the housing is not assembled like this.  
 note.2: This drawing does not include Caps.

Unit: mm

Figure 1 SSCF-2P2 HOUSING (Synthetic rubber Hood type)



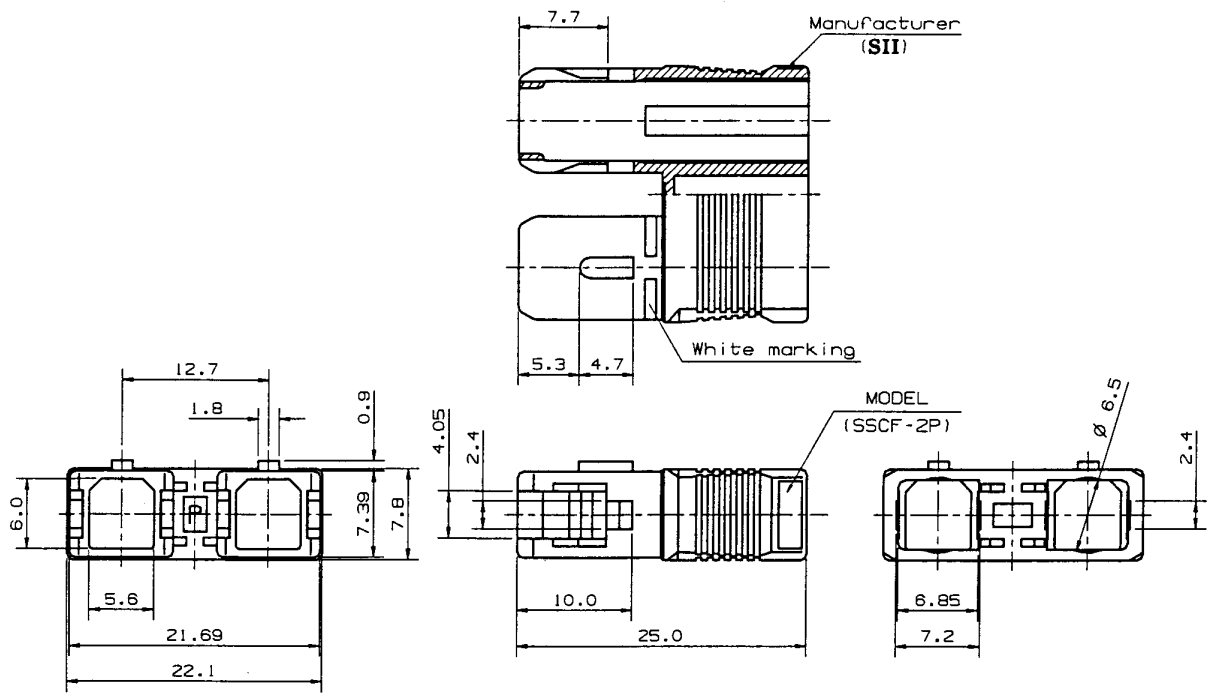


note.1: This drawing Shows the Tentatively assembled condition. In practice, the housing is not assembled like this.

note.2: This drawing does not include Caps.

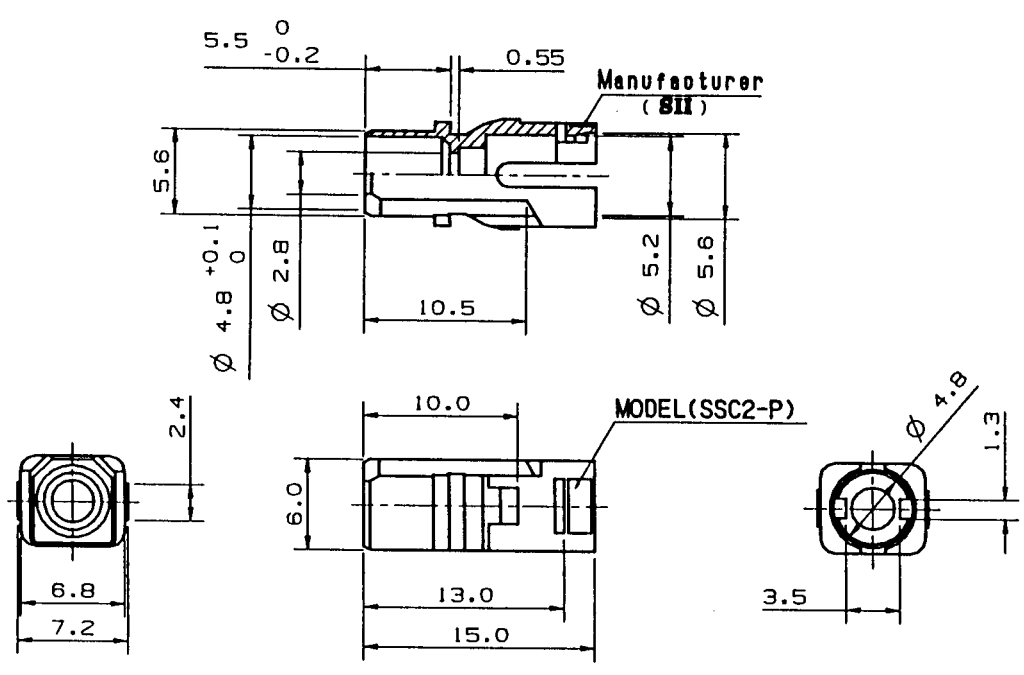
Unit: mm

Figure 2 SSCF-2P2 HOUSING (Plastic Hood type)



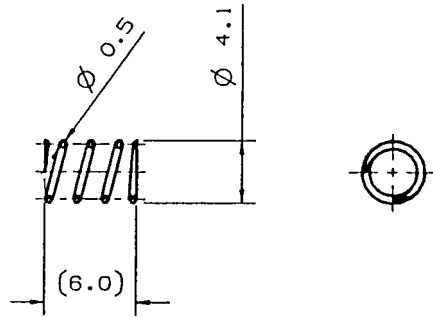
Unit: mm

Figure 3 ① Grip



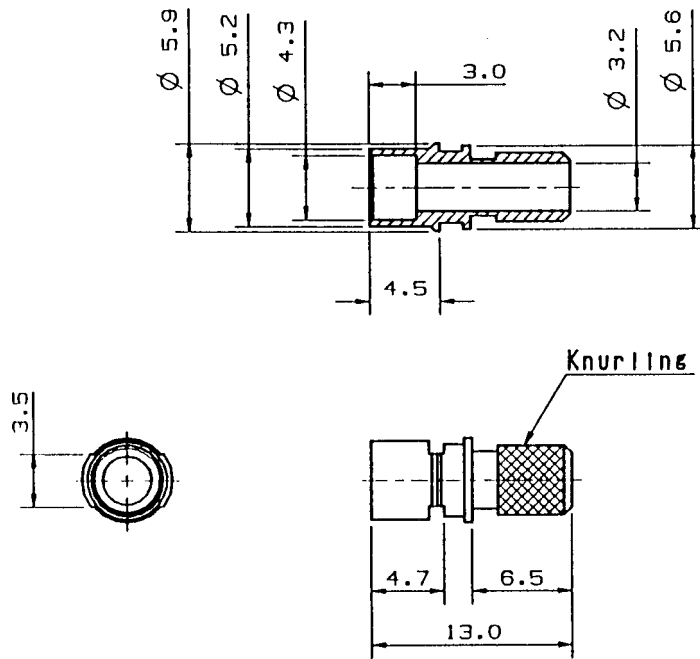
Unit: mm

Figure 4 ② Plug frame



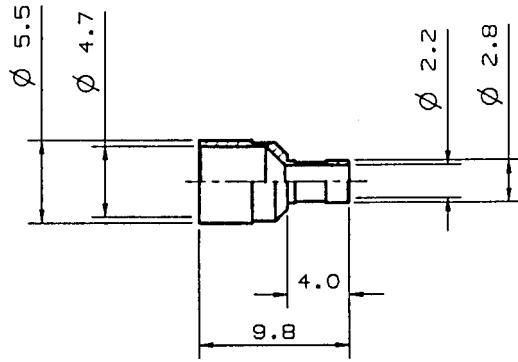
Unit: mm

Figure 5 ③ Spring



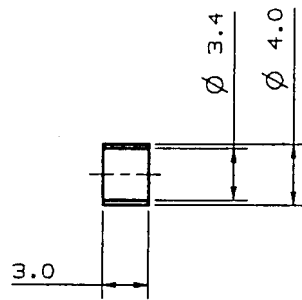
Unit: mm

Figure 6 ④ Stop ring



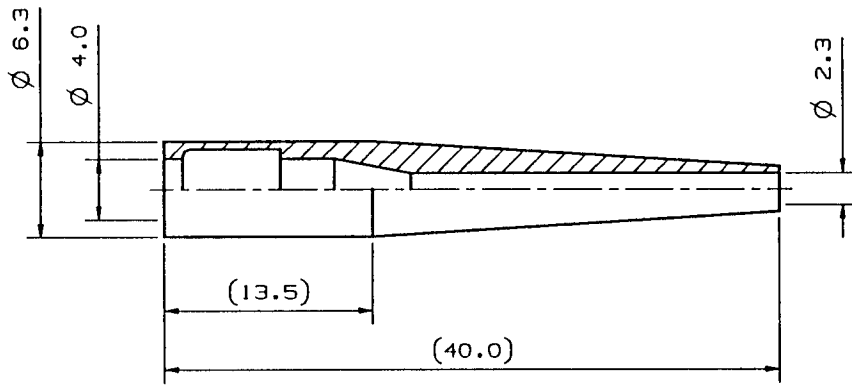
Unit: mm

Figure 7 ⑤ Crimping ring



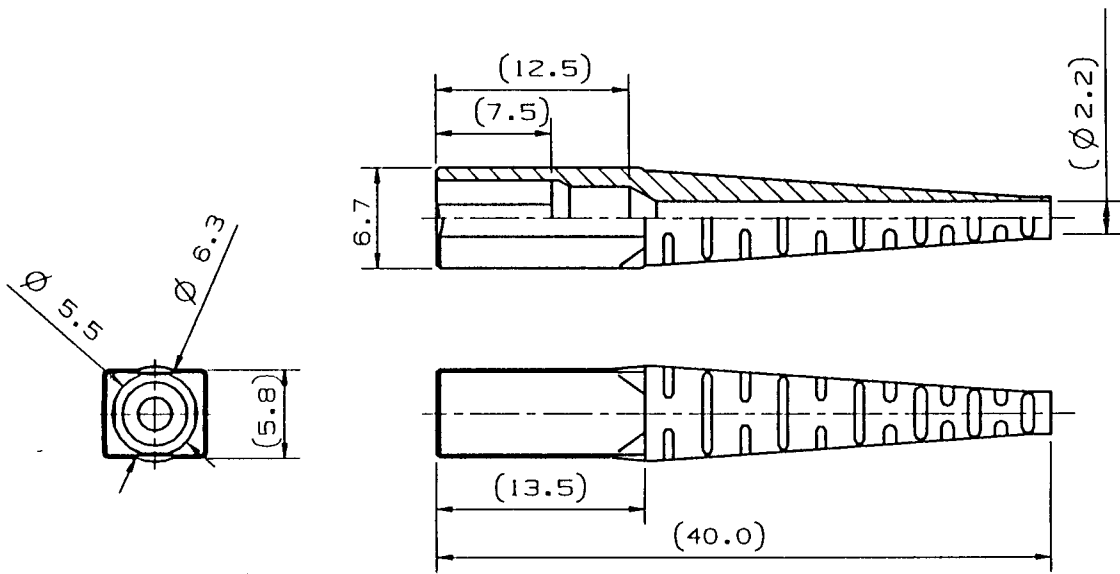
Unit: mm

Figure 8 ⑥ Ring



Unit: mm

Figure 9 ⑦-aHood



Unit: mm

Figure 10 ⑦-aHood

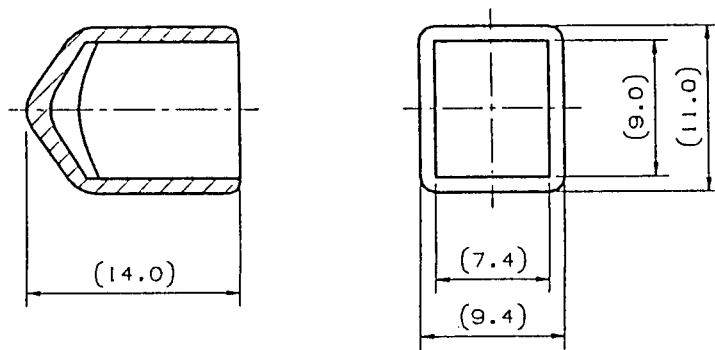


Figure 11 ⑧ Cap

Unit: mm