

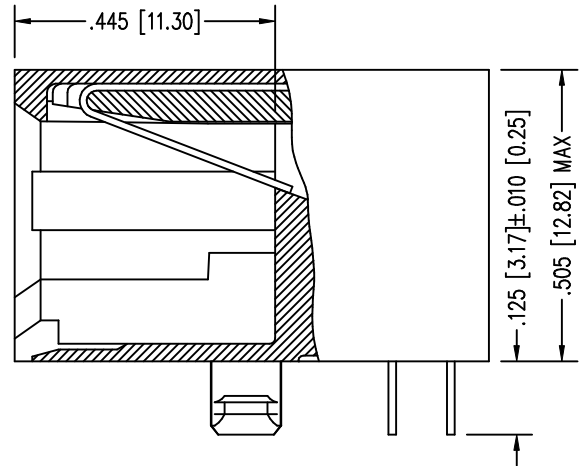
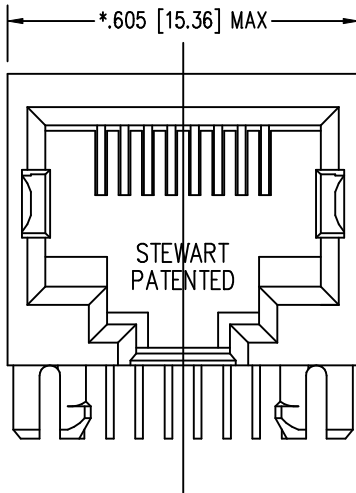
STEWART CONNECTOR SYSTEMS, INC.

R.D. 2, BOX 2020 GLEN ROCK, PENNSYLVANIA 17327

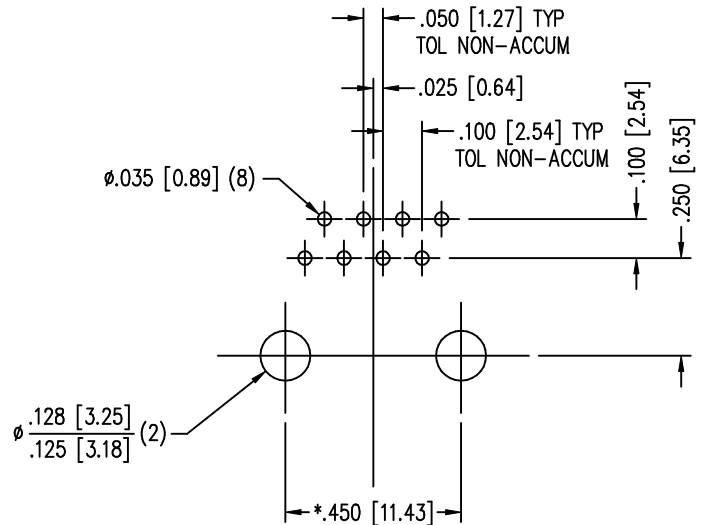
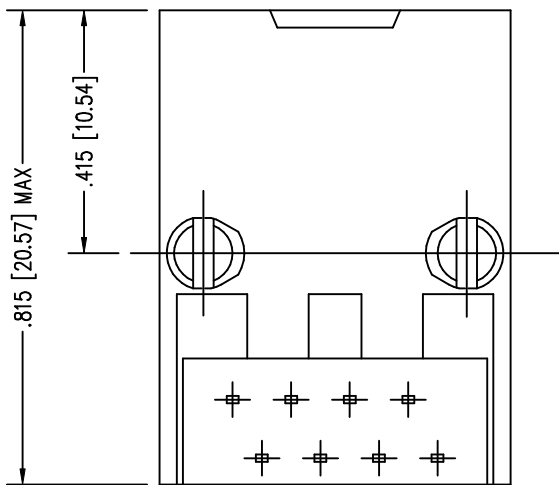
PART NO. SS-6488-NF-A288
EIGHT CONTACT, EIGHT POSITION, JACK

"-NF" NON-FLANGE

"-288" SMALLER INTERNAL RELIEF CORES (.065 WIDE X.055 HIGH) FOR OVERMOLDING STRENGTH



For Reference
Only



P.C.B. RECOMMENDED HOLE LAYOUT
SEEN FROM COMPONENT SIDE
TOLERANCE ±.003 [0.08] UNLESS OTHERWISE SPECIFIED

NOTE:

- TOLERANCE COMPLY WITH F.C.C. DIMENSION REQUIREMENTS
ALL OTHERS ±.005 [0.13] UNLESS OTHERWISE SPECIFIED.

- DIMENSIONS SHOWN WITH "*" TO BE CENTRAL
ABOUT CENTER LINE

AVAILABLE WITH:

- 30 & 50, MICRO-INCH SELECTIVE GOLD PLATING
- LOADED 1 - 8 CONTACTS