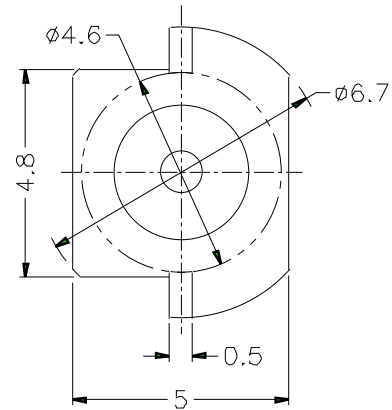
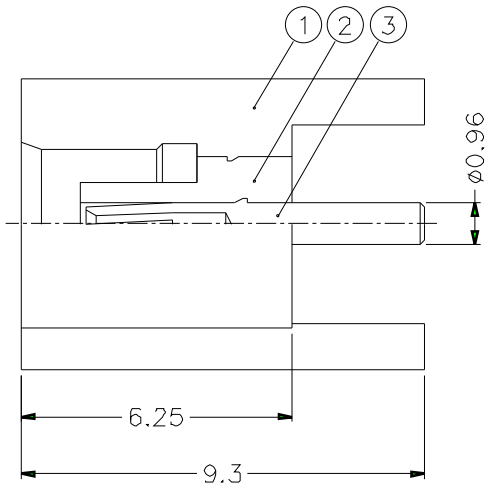


1			2			3			4			5			6			7			8		
REVISIONS																							
ISS	ZONE	DESCRIPTION\PER REQUEST\DATE																					



NOTES: FINISH (PLATING THICKNESS IN MICRO-INCHES)

1. BRASS PER QQ-B-626
2. GOLD PL. 3 MIN. THICK OVER NICKEL PL. 100 MIN. THICK OVER COPPER STRIKE
3. BERYLLIUM COPPER PER QQ-C-530
4. GOLD PL. 30 MIN. THICK OVER NICKEL PL. 100 MIN. THICK OVER COPPER STRIKE
5. TEFLON MIL-P-19468

DIMENSIONS ARE IN MILLIMETERS				PART NO.	
UNLESS OTHERWISE SPECIFIED TOLERANCES 0.5-6 = ±0.2 6-30 = ±0.4 30-120 = ±0.6 120-315 = ±1 315-1000 = ±1.6 1000-2000 = ±2.4				MCX625100-001-3GT30G-50	
				APPROVED	DATE
				10-11-01'	
				CHECKED	DATE
				10-11-01'	
				DRAWN	DATE
				10-11-01'	

Amphenol

TITLE	MCX EDGE CARD PCB MOUNT JACK
DRAWING NO.	KJ-MCX625100-001-3GT30G-50
ITEM NO.	

3	CONTACT PIN	NOTE 3	NONE	1	MCX625100-001-3
2	INSULATOR	NOTE 5	NATURAL	1	MXC625100-001-2T-50
1	BODY	NOTE 1	NONE	1	MCX625100-001-1
NO.	DESCRIPTION	MATERIAL	FINISH	Q'TY	DRAWING NO.

SCALE	6/1	ISSUE	A	FILE NO
-------	-----	-------	---	---------

1 2 3 4 5 6 7 8