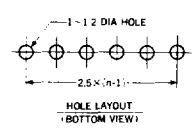
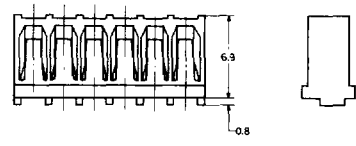
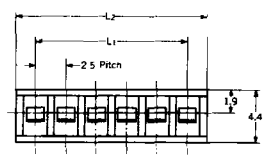
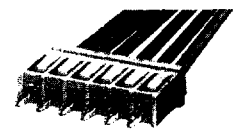


MC シリーズコネクタ (コンタクトピッチ: 2.5 mm) MC SERIES CONNECTORS (Contact Pitch: 2.5 mm)

UNIT: mm

HMC4225 Series
ボード・イン・コネクタ
Board-in Connectors
ハウジング / Housings

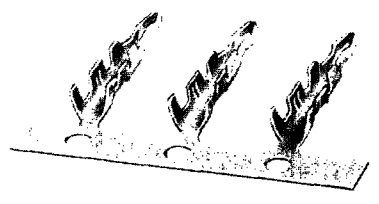


HMC4225-02-061

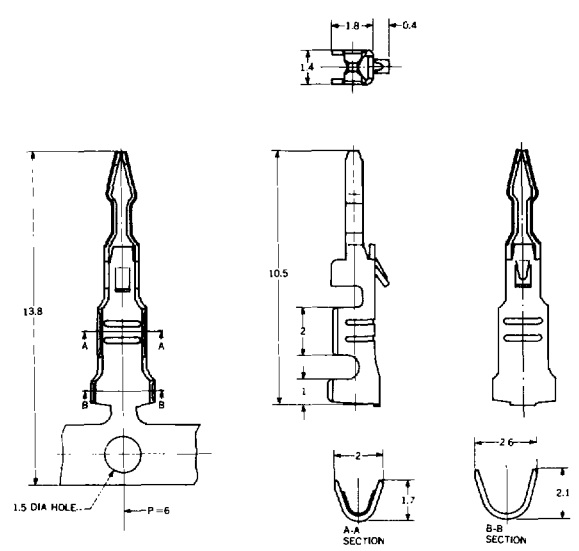
No. of Contacts	Pitch / Dimension		Part Number				
	L1	L2					
2	2.5	5.7	HMC4225-02-020	HMC4225-02-021	HMC4225-02-022	HMC4225-02-023	HMC4225-02-024
3	5	8.2	HMC4225-02-030	HMC4225-02-031	HMC4225-02-032	HMC4225-02-033	HMC4225-02-034
4	7.5	10.7	HMC4225-02-040	HMC4225-02-041	HMC4225-02-042	HMC4225-02-043	HMC4225-02-044
5	10	13.2	HMC4225-02-050	HMC4225-02-051	HMC4225-02-052	HMC4225-02-053	HMC4225-02-054
6	12.5	15.7	HMC4225-02-060	HMC4225-02-061	HMC4225-02-062	HMC4225-02-063	HMC4225-02-064
7	15	18.2	HMC4225-02-070	HMC4225-02-071	HMC4225-02-072	HMC4225-02-073	HMC4225-02-074
8	17.5	20.7	HMC4225-02-080	HMC4225-02-081	HMC4225-02-082	HMC4225-02-083	HMC4225-02-084
9	20	23.2	HMC4225-02-090	HMC4225-02-091	HMC4225-02-092	HMC4225-02-093	HMC4225-02-094
10	22.5	25.7	HMC4225-02-100	HMC4225-02-101	HMC4225-02-102	HMC4225-02-103	HMC4225-02-104
11	25	28.2	HMC4225-02-110	HMC4225-02-111	HMC4225-02-112	HMC4225-02-113	HMC4225-02-114
12	27.5	30.7	HMC4225-02-120	HMC4225-02-121	HMC4225-02-122	HMC4225-02-123	HMC4225-02-124
13	30	33.2					
14	32.5	35.7	HMC4225-02-140	HMC4225-02-141	HMC4225-02-142	HMC4225-02-143	HMC4225-02-144
15	35	38.2	HMC4225-02-150	HMC4225-02-151	HMC4225-02-152	HMC4225-02-153	HMC4225-02-154

- 材料 / Material: UL 94V-0 P.A. 66
- 適合コンタクト / Mating Contact: HMC4225-03-010
- 適合電線サイズ / Applicable Wire Size: AWG # 22~28
- 被覆外径 / Finished Outside Diameter: $\phi 1 \sim \phi 1.7 \text{ mm}$

HMC4225 Series
ボード・イン・コネクタ
Board-in Connectors
コンタクト / Contacts



HMC4225-03-010



- 材料 / Material: リン青銅 / Phosphor Bronze
 - 表面処理 / Finish: 半田メッキ / Solder Plated
 - 適合ハウジング / Mating Housing: HMC4225 Series
 - 適合プリント基板厚さ / Recommended P.C. Board Thickness: 1.6 mm
- コンタクトは連続端子で1リール 10,000本となっております。
Contact is continuous crimp terminal..... 10,000 pcs/reel