

### IDC Filtered D-Sub

INSULATION DISPLACEMENT CONNECTION

#### DESCRIPTION

### IDC Solution

- IDC, Filtered D-Sub for Ribbon Cable
- 9 & 37 Position, Socket

Amphenol Canada's FCC17 Filtered D Sub family has been expanded to include a Filter IDC connector. Stress isolated and solderless filtering technology allows the Filter IDC connector to withstand the physical shock experienced in IDC applications. The IDC filter connector will contribute significantly in the reduction of assembly time and labour costs.



#### CONNECTOR FEATURES

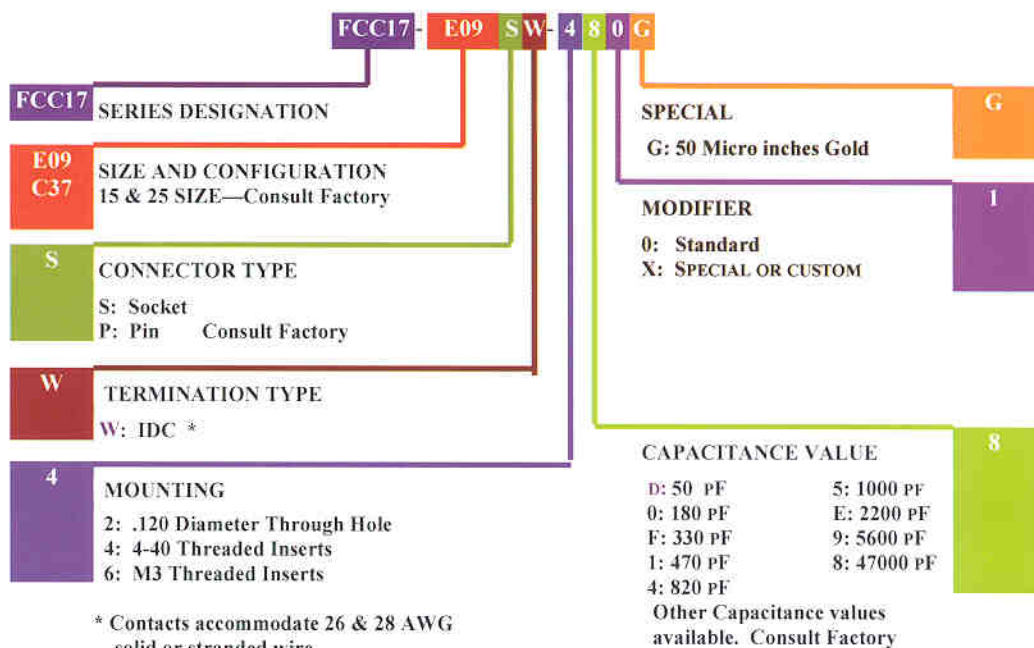
- Stress Isolated Solderless Filter Design
- Directly Interchangeable with Non-Filtered Versions
- High Voltage Withstand Capability (1000 V AC)
- Superior Mechanical & Thermal Shock Characteristics
- Elimination of solder
- Effective Against Radiated And Conducted EMI
- Environmentally friendly—"Lead Free Solution"

#### APPLICATIONS

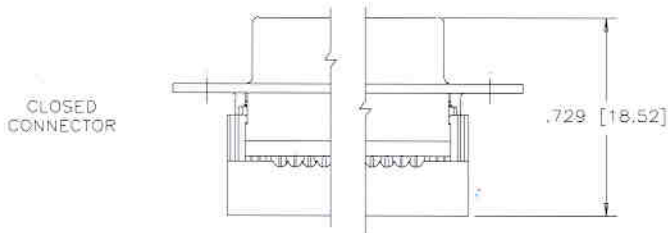
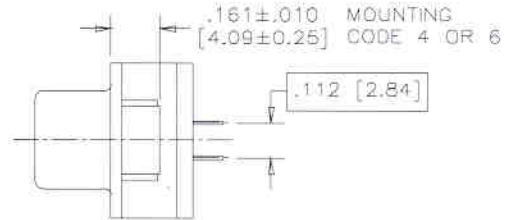
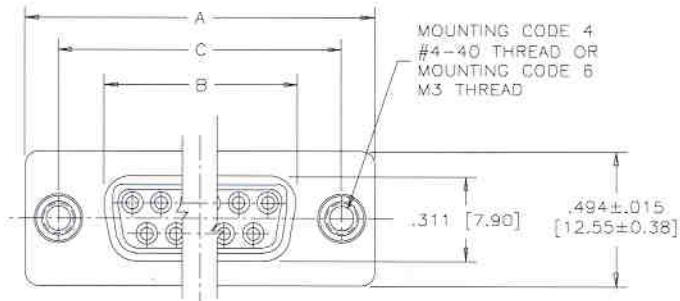
- ADSL Central Office Equipment
- DSL Modems
- Multiplex Equipment
- Hubs & Switches
- Other Cable Assemblies

#### ORDERING INFORMATION

Amphenol®



## MECHANICAL SPECIFICATIONS



15 and 25 Size—Consult Factory

SIZE	A±.015 [0.38]	B±.005 [0.13]	C±.00 [0.13]	D BSC.	E BSC.
E09	1.213 [30.81]	.643[16.33]	.984 [24.99]	.432 [10.97]	.108 [2.74]
A15	1.541 [39.14]	.971[24.66]	1.312 [33.32]	.756 [19.20]	.108 [2.74]
B25	2.088 [53.04]	1.511[38.38]	1.852 [47.04]	1.304 [33.12]	.1087 [2.76]
C37	2.729 [69.32]	2.159[54.84]	2.500 [63.50]	1.956 [49.68]	.1087 [2.76]

## ELECTRICAL AND ENVIRONMENTAL DATA

CAPACITANCE:	AVAILABLE RANGE FROM 50 PF +/- 15% TO 47,000 PF +/- 15% MIXED VALUES AVAILABLE
CURRENT RATING:	2 AMPS MAXIMUM 2 AMPS FILTERING MAXIMUM
INSULATION RESISTANCE:	3000 MEGOHMS MINIMUM
WORKING VOLTAGE:	200 OR 300 V DC
D.W.V.:	600 V DWV
OPERATING TEMPERATURE:	-40 C TO +85 C

## MATERIAL SPECIFICATIONS

FRONT SHELL:	DIE CAST ZINC, TIN PLATED
INSERTS:	HIGH STRENGTH THERMOPLASTIC, FLAMMABILITY RATING UL94V-0,
CONTACT:	PHOSPHOR BRONZE, GOLD PLATED OVER NICKEL ON MATING AREA, TIN LEAD ON THE TERMINALS
CAPACITOR:	CERAMIC MULTI-LAYER CHIP
TERMINATION TOOLING:	494-126-01



Specifications subject to change without notice