

2mm EJECTOR HEADER EHT SERIES

SPECIFICATIONS

For complete specifications see www.samtec.com?EHT

Insulator Material:
Black Liquid Crystal Polymer



Terminal Material:
Phosphor Bronze

Plating:
Sn or Au over 50µ" (1.27µm) Ni

Current Rating:
3A @ 80°C ambient

Operating Temp Range:
-55°C to +125°C

Note: Some lengths, styles and options are non-standard, non-returnable.

Processing:

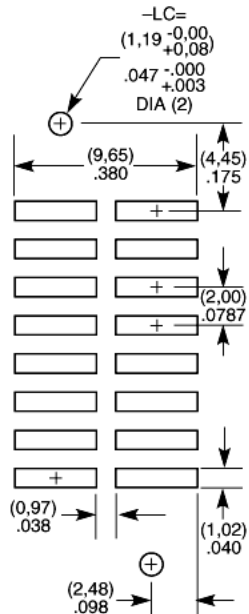
Max Processing Temp:
230°C for 60 seconds, or 260°C for 20 seconds 3x with Matte Sn

Lead-Free Solderable:
Wave, or reflow with Matte Sn plating

SMT Lead Coplanarity:
(0.10mm) .004" max

Suggested Paste Thickness:
For most applications add (0.05mm) .002" to max SMT

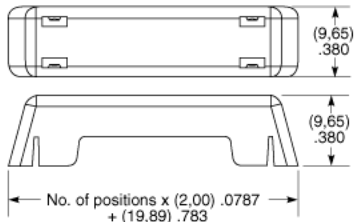
Suggested PCB Layouts:
For reference only. Please contact Samtec or go to www.samtec.com?EHT for recommended PCB layout.



Mates with:
TCSD

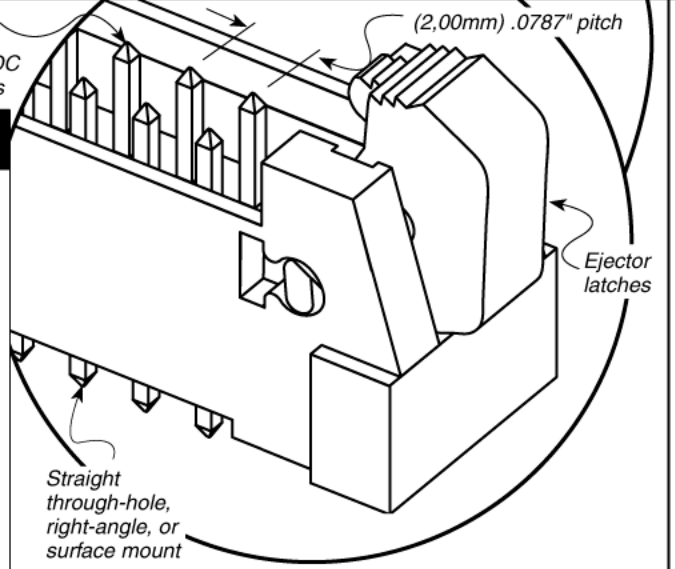
Ten standard sizes mate with common 2mm IDC cable assemblies

EJECTOR HEADER CAP (Locks TCSD cable to EHT header)



EC2 - NO. PINS PER ROW

05, 08, 10, 12, 13, 15, 17, 20, 22, 25



05, 08, 10, 12, 13, 15, 17, 20, 22, 25

-S or -SM
= 30µ" (0.76µm) Gold post, Tin (-S) or Matte Tin (-SM) on tail

Leave blank for straight pin
-RA = Right Angle
-SM = Surface Mount

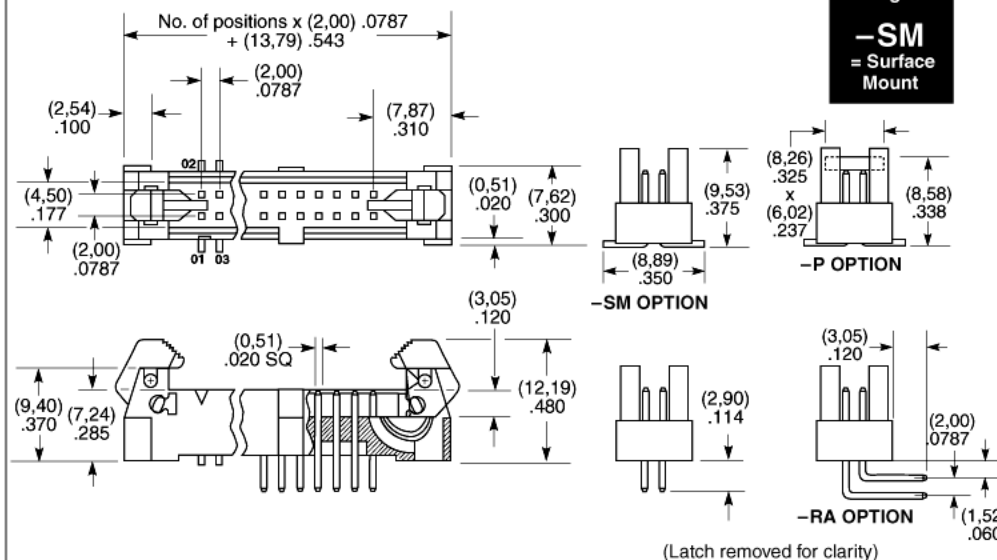
- "XX"
= Polarized Position

-LC
= Locking Clip (-SM only)

-K
= (6,50mm) .256" DIA Polyimide Film Pick & Place Pad (-SM only)

-P
= Pick & Place Pad (-SM only)

-TR
= Tape & Reel Packaging (-SM only) (-LC not available)



Due to technical progress, all designs, specifications and components are subject to change without notice.

WWW.SAMTEC.COM