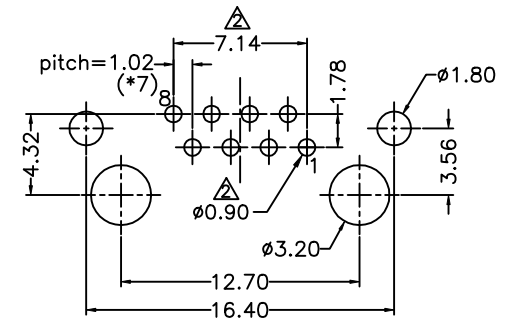
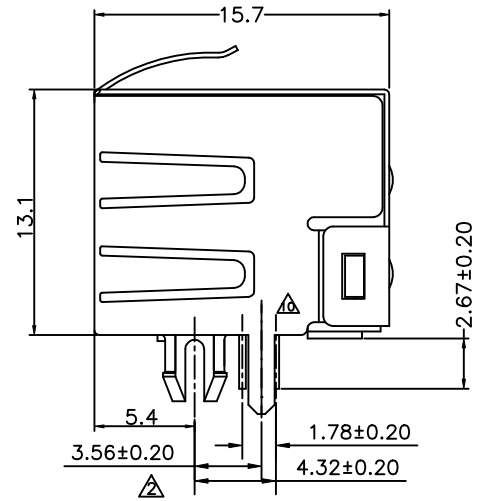
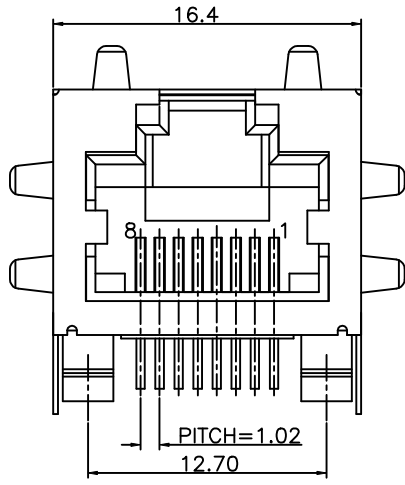


A1RFRD10

REVISION RECORD				
REV	ECO	DESCRIPTION	DRFT	CHKD
△		MODIFY PCB LAYOUT	Christ 06/19/01	
△		MODIFY DIMENSION	Christ 3/12/02	
△		ADD TYPE	JFJ 07/19/02	
△		ADD TYPE	Irondr 07/23/02	
△		ADD P/N	JFJ 10/16/03	
△		ADD P/N	JFJ 06/01/04	
△		ADD P/N	JFJ 06/10/04	
△		ADD P/N	SUNLL 09/27/04	
△		MODIFY P/N	JFJ 12/07/04	
△		MODIFY P/N	PETERS 12/15/04	
△		MODIFY P/N	PETERS 1/3/05	
△		ERASE P/N	JFJ 05/16/05	



△ PCB (t=1.60mm) Layout
Component Side Shown

NOTES:

ELECTRICAL:

- VOLTAGE RATING : 125 VAC RMS.
- CURRENT RATING : 1.5 AMP.
- CONTACT RESISTANCE : 30 MILLIOHMS MAX.
- INSULATION RESISTANCE: 1000 MEGOHMS MIN @ 500 VDC.
- DIELECTRIC STRENGTH : 1000 VAC RMS 60Hz, 1MIN.
- OPERATING: 750 CYCLES MIN.

MECHANICAL:

- HOUSING MATERIAL : PBT+30%.GF UL94V-0. OR FR52 COLOR-BLACK. △
- INSERT MATERIAL : PBT+30%GF UL94V-0. OR FR52 COLOR-BLACK. △
- BACK PLATE MATERIAL : PBT+30%GF. OR FR52 COLOR-BLACK. △
- SHIELD MATERIAL : COPPER ALLOY 0.25mm THICKNESS PLATING NI.
- CONTACT MATERIAL : PHOSPHOR BRONZE 0.35mm THICKNESS OR Ø0.46mm.LEAD FREE.
- PLATING : GOLD PLATING OVER NICKEL.
- PCB RETENTION PRE-SOLDER : 1 LB MIN.
- PCB RETENTION POST-SOLDER: 10 LBS MIN.

ENVIRONMENTAL:

- STORAGE : -40°C TO +85°C.
 - OPERATION: 0°C TO 70°C.
- MATES WITH MODULAR PLUG CONFORMING TO
FCC PART 68, SUBPART F.
CUL FILE NO. E163191

W/ TIN PART NUMBER: E 5J 8 8 - X X L X X X

- △△△ 0-NO.LED
- △△ 6-HS'G&SHIELD NO LED
- PLATING: 1-3u" 2-6u" 3-15u"
4-30u" 5-50u"
- A-TIN SHIELD STAMPED PIN
- B-NI SHIELD STAMPED PIN
- △ F-NI SHIELD ROUND PIN (Ø0.46)
- 0- PBT+30%(A06-1490)
- J- FR52(A05-0130) △
- 5-W/O LOGO W/O TINNED SHIELD LEDS △
- 0-W/O SHIELD 1-NO TAB
- 2-TOP TABS. 3-SIDE TABS.
- 4-TOP TABS & SIDE TABS.

DETACHED LISTS	MM (INCH)		DFTO JERRY	DATE 2/15/2001'	FULL RISE ELECTRONIC CO., LTD	
	TOLERANCES EXCEPT AS NOTED		CHKD JAKE	DATE 2005/5/16		
	MM	±	MFO	DATE	TITLE RJ45 W/O LED JACK	
	.0 ± 0.20	±	APPV LUSHENG	DATE 2005/5/16		
.00 ± 0.15	±	MATERIAL :		DRAWING NO. GE5J3A11		
.000 ± 0.075	±	ANGLES ±		/PART NO. SEE NOTE		
THIRD ANGLE PROJECTION		SCALE :		DO NOT SCALE DRAWING		
		QTY :		SIZE REV 12		
		FINISH :		A3 05/16/05		
		SCALE :		SHEET 1 OF 1		