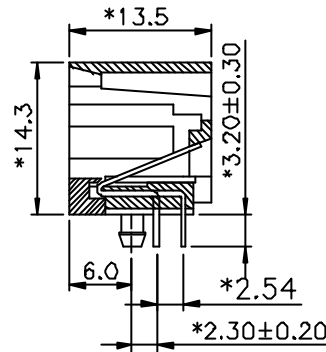
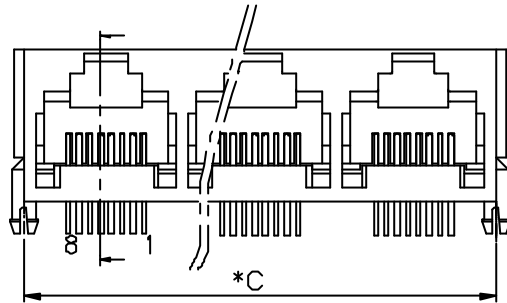
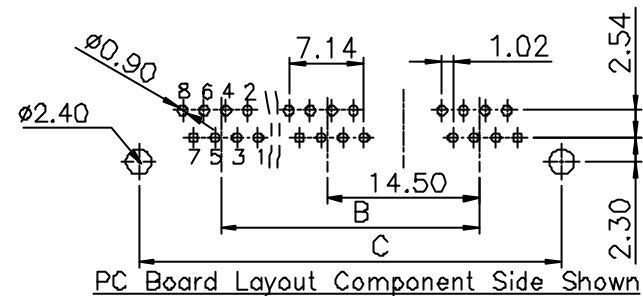
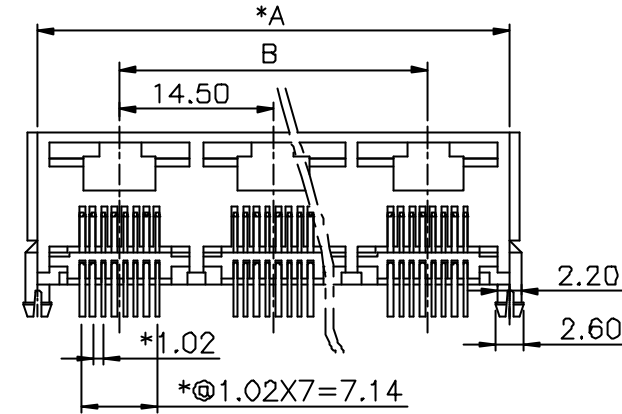


REVISION RECORD				
REV	ECO	DESCRIPTION	DRFT	CHKD
△		add p/n.	16/31/05	



SECTION A-A

昵夕 厂ノ  
ZWCAD 2004 刚ノ  
冈簿叫瑞弊WWW.ZWCAD.COM



PC Board Layout Component Side Shown

NOTES:

ELECTRICAL:

- VOLTAGE RATING : 125 VAC RMS
- CURRENT RATING : 1.5 AMP.
- CONTACT RESISTANCE : 30 MILLIOHMS MAX.
- INSULATION RESISTANCE: 1000 MEGOHMS MIN @ 500 VDC.
- DIELECTRIC STRENGTH : 1000 VAC RMS 60Hz, 1MIN.

MECHANICAL:

- HOUSING & INSERT MATERIAL : FR52 UL94V-0.
- CONTACT MATERIAL : PHOSPHOR BRONZE  $\phi 0.46\text{mm}$ .
- PLATING : GOLD PLATING OVER NICKEL.
- OPERATING LIFE : 750 CYCLES MIN.
- PCB RETENTION PRE-SOLDER : 1 LB MIN.
- PCB RETENTION POST-SOLDER: 10 LBS MIN.

ENVIRONMENTAL:

- STORAGE :  $-40^{\circ}\text{C}$  TO  $+85^{\circ}\text{C}$ .
- OPERATION:  $-40^{\circ}\text{C}$  TO  $+85^{\circ}\text{C}$
- WAVE SOLDERING TEMPERATURE :  $255^{\circ}\text{C} \sim 265^{\circ}\text{C}$  (5~10 SECONDS)

MATES WITH MODULAR PLUG CONFORMING TO FCC PART 68, SUBPART F.

CUL FILE NO. E163191  
PART NUMBER E558X-20XXXX-L

NO. OF CONTACT	1- 3u"	2- 6u"	U1 W/ PANEL STOP FR52 BK U2- W/O PANEL STOP FR52 BK UM- W/ PANEL STOP FR52 GY △
4- 4C	3- 15u"	4- 30u"	
6- 6C	5- 50u"	6- Pd 20u"	
8- 8C			
C- 4 PORTS			
D- 5 PORTS			
E- 6 PORTS			
G- 8 PORTS			

PORTS	A	B	C
4	59.0	43.50	59.0
5	73.5	58	73.5
6	88.0	72.50	88.0
8	117.0	101.50	117.0

DETACHED LINES TOLERANCES EXCEPT AS NOTED MM (INCH) .0 ± 0.2 .00 ± 0.15 .000 ± 0.075 ANGLES ± 0.5 THRU ANGLE PROJECTION	DFTD BY CHKD MFD APPVL DATE 07/13/05 DATE DATE DATE 11/02/05	FULL RISE ELECTRONIC CO., LTD TITLE MINI L/P MULTI-PORTS 8P DRAWING NO. GE553041-LA /PART NO. SEE NOTE DO NOT SCALE DRAWING		
	MATERIAL . QTY : FINISH SCALE . 2:1	SIZE A3 SHEET OF	REV 1	OF
	DO NOT SCALE DRAWING			SHEET OF
	DO NOT SCALE DRAWING			SHEET OF