



# Elite CRS-33

## Miniature 2P3T DC-22GHz

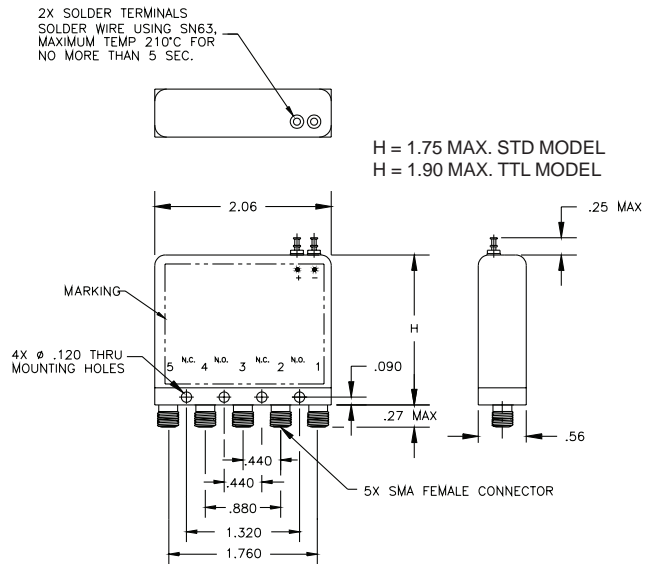
### Failsafe

The CRS-33 switch is a broadband, 2P3T, electromechanical coaxial switch designed to switch a microwave signal from a common input to either of two outputs. The characteristic impedance is 50 Ohms. The switches are small with the minimum spacing that is compatible with SMA connectors, and can also be used as a SPDT switch with external terminations.

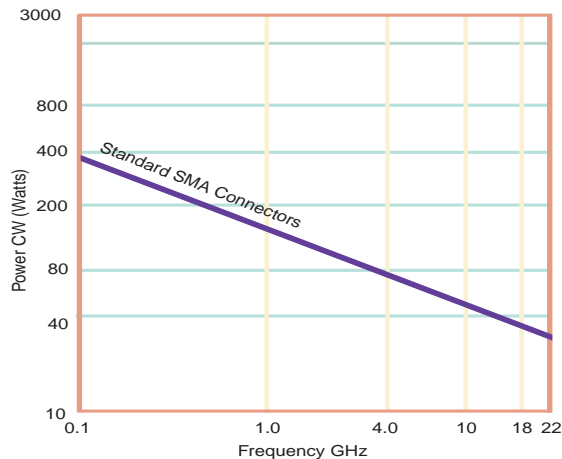
The CRS-33 comes with either a failsafe or latching actuator.

### Specifications

|                              |  |     |     |     |
|------------------------------|--|-----|-----|-----|
| <b>RF Contacts:</b>          | Break before make  |     |     |     |
| <b>Actuator</b>              | Voltage (VDC) 20°C   | 12  | 15  | 28  |
|                              | Current (mA)   | 420 | 350 | 200 |
| <b>Switching Time:</b>       | 20 msec max  |     |     |     |
| <b>Connectors:</b>           | SMA (f)  |     |     |     |
| <b>Weight:</b>               | 2.65 oz. max   |     |     |     |
| <b>Temperature Range:</b>    | -55°C to +85°C (Operating)                                     |     |     |     |
| <b>Shock:</b>                | MIL-STD-202 Method 213, Condition D<br>(500G Non Operating)    |     |     |     |
| <b>Vibration:</b>            | MIL-STD-202 Method 214, Condition D<br>(10G RMS Non Operating) |     |     |     |
| <b>Humidity:</b>             | Moisture Seal Available  |     |     |     |
| <b>Typical Contact Life:</b> | 5 Million Cycles   |     |     |     |



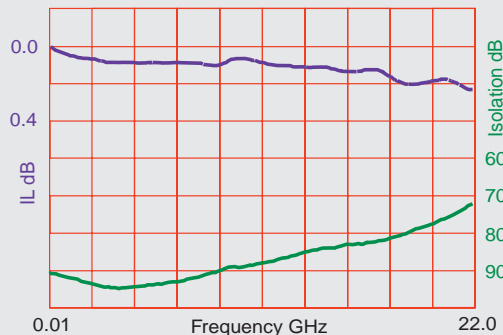
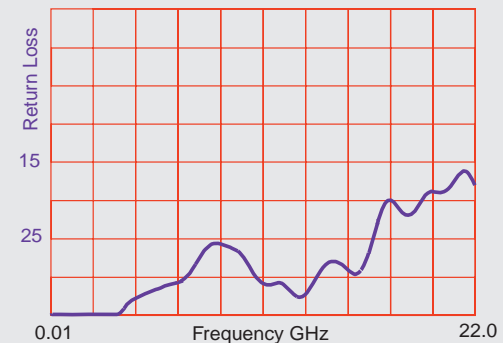
### RF Power Handling:



### Specifications

|                      | DC-6 GHz | 6-12 GHz | 12-18 GHz | 18-22 GHz |
|----------------------|----------|----------|-----------|-----------|
| VSWR (max)           | 1.25:1   | 1.40:1   | 1.50:1    | 1.60:1    |
| Insertion Loss (min) | 0.20 dB  | 0.40 dB  | 0.50 dB   | 0.60 dB   |
| Isolation (max)      | 70.0 dB  | 60.0 dB  | 60.0 dB   | 50.0 dB   |

### Typical Performance



Specifications subject to change without notice.

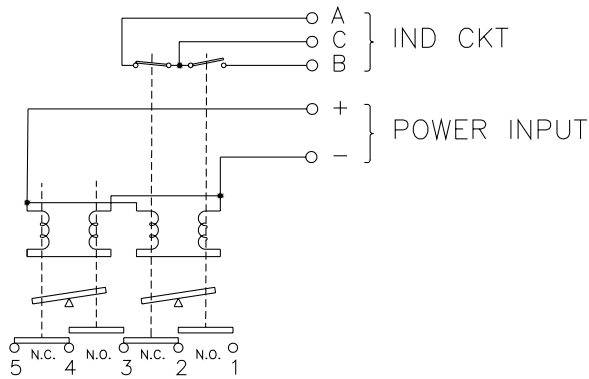
www.teledynecoax.com  
email: coax@teledyne.com

Tel: (800) 351-7368  
10/2007

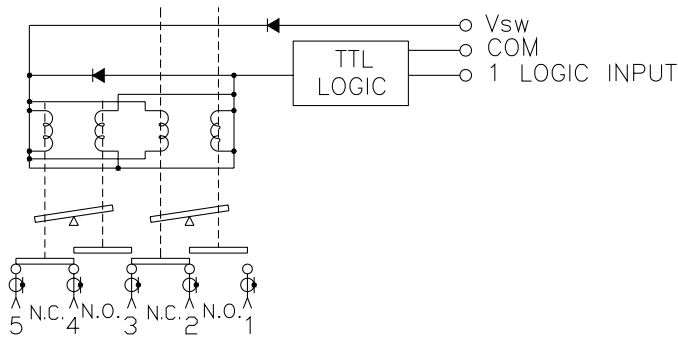
# Elite CRS-33

## Miniature 2P3T DC-22 GHz

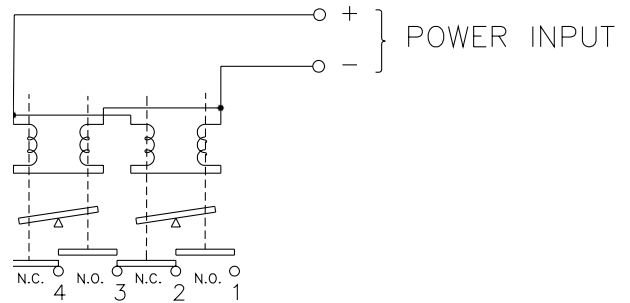
### Failsafe



**Indicators**

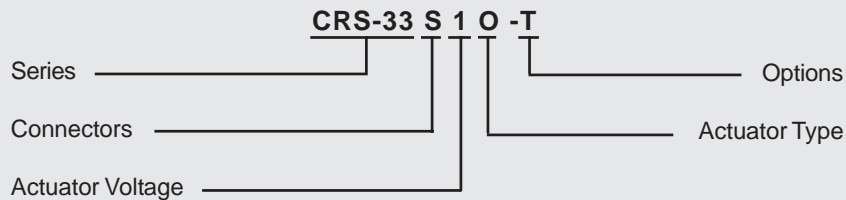


**TTL**



**Analog**

### Part Numbering System for CRS-33 (Failsafe)



**Connector**  
S: SMA Female

**Actuator Voltage**  
1: 28Vdc Failsafe  
2: 15Vdc Failsafe  
3: 12Vdc Failsafe

**Actuator Type**  
O: No Indicator Contacts  
C: Indicator Contacts

**Options**  
T: TTL Drivers with Diodes  
R: Positive + Common

For other options contact Factory



Specifications subject to change without notice.

www.teledynecoax.com  
email: coax@teledyne.com

Tel: (800) 351-7368

10/2007