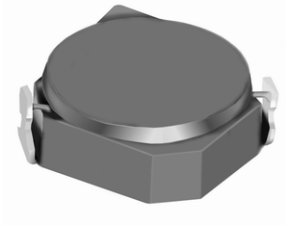
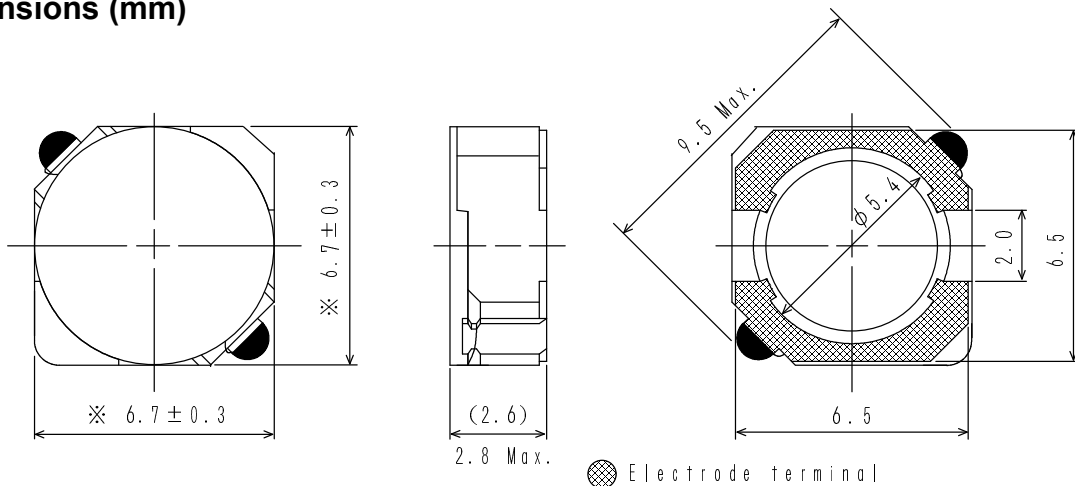
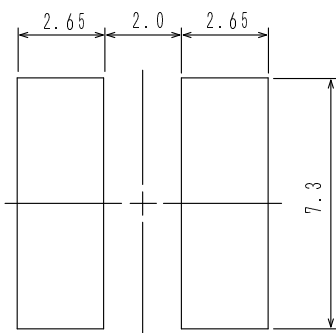
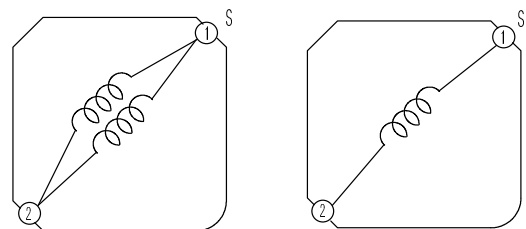


Type: CDRH6D26/HP
◆ Product Description

- 7.0×7.0mm Max.(L×W) , 2.8mm Max. Height.
- Inductance range: 1.5~100μH.
- Rated current range: 0.55~4.6A.
- Custom design is available.


◆ Feature

- Magnetically shielded construction.
- Storage temperature range: -40°C ~ +105°C.
- Operating temperature range: -40°C ~ +105°C (Including coil's self temperature rise).
- Ideally used in Mobile phone, MP3, PDA, HDD, DSC/DVC, etc as DC-DC converter inductors.
- RoHS compliance and Halogen Free.

◆ Dimensions (mm)

◆ Land Pattern (mm)

◆ Schematics (Bottom)


(1.5~10)

(12~100)

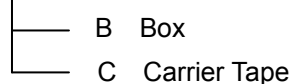
"S" is winding start

Type: CDRH6D26/HP
◆ Specification

Part Name ※	Stamp	Inductance (μ H) ※1	D.C.R. (m Ω) (at 20°C) ※2	Saturation Current (A) ※3		Temperature Rise Current (A) ※4
				at 20°C	at 105°C	
CDRH6D26HPNP-1R5P□	1R5	1.5 \pm 25%	20.3(16.2)	6.30	5.20	4.60
CDRH6D26HPNP-2R2P□	2R2	2.2 \pm 25%	23.1(18.5)	5.10	4.20	4.00
CDRH6D26HPNP-3R3P□	3R3	3.3 \pm 25%	26.9(21.5)	4.20	3.60	3.90
CDRH6D26HPNP-4R7P□	4R7	4.7 \pm 25%	41.3(33.0)	3.40	2.90	2.90
CDRH6D26HPNP-5R6P□	5R6	5.6 \pm 25%	48.4(38.7)	3.10	2.80	2.70
CDRH6D26HPNP-6R8P□	6R8	6.8 \pm 25%	64.4(51.5)	2.90	2.55	2.30
CDRH6D26HPNP-8R2P□	8R2	8.2 \pm 25%	83.1(66.5)	2.75	2.35	2.00
CDRH6D26HPNP-100M□	100	10.0 \pm 20%	90.0(72.0)	2.50	2.05	1.80
CDRH6D26HPNP-150M□	150	15.0 \pm 20%	128(102)	2.00	1.70	1.45
CDRH6D26HPNP-180M□	180	18.0 \pm 20%	144(115)	1.85	1.55	1.35
CDRH6D26HPNP-220M□	220	22.0 \pm 20%	174(139)	1.70	1.40	1.20
CDRH6D26HPNP-270M□	270	27.0 \pm 20%	235(188)	1.50	1.25	1.05
CDRH6D26HPNP-330M□	330	33.0 \pm 20%	258(206)	1.35	1.15	1.00
CDRH6D26HPNP-390M□	390	39.0 \pm 20%	283(226)	1.25	1.05	0.95
CDRH6D26HPNP-470M□	470	47.0 \pm 20%	381(305)	1.15	0.95	0.80
CDRH6D26HPNP-560M□	560	56.0 \pm 20%	425(340)	1.05	0.88	0.75
CDRH6D26HPNP-680M□	680	68.0 \pm 20%	470(376)	0.95	0.80	0.70
CDRH6D26HPNP-820M□	820	82.0 \pm 20%	696(557)	0.85	0.72	0.58
CDRH6D26HPNP-101M□	101	100 \pm 20%	758(606)	0.80	0.65	0.55

※ Description of part name

CDRH6D26HPNP-1R5P□



※ 1 . Measuring frequency: 100kHz.

※ 2 . () are typical value.

※ 3 . Saturation current: This indicates the DC current at which the inductance decreases to 65% of its nominal value.

 ※ 4 . Temperature rise current: The DC current when the temperature rise is $\Delta t=40^{\circ}\text{C}$ ($T_a=20^{\circ}\text{C}$).