

## Miniature 10 Amps • 4PDT To MIL-PRF-83536

### SPECIFICATIONS

#### GENERAL

**Contact Arrangement** ..... 4PDT (4 Form C)  
**Weight**.....3.0 oz approx.  
 Designed to meet the requirements of MIL-PRF-83536

#### PERFORMANCE

##### Contact Rating (Note 1):

Resistive .....	10 Amps @ 28 VDC or 115/208V 400 Hz (Case Grounded)
Inductive .....	8 Amps @ @ 28 VDC or 115/208V 400 Hz (Case Grounded) 2.5 Amps @ 115/208V 60 Hz (Case Grounded)
Motor.....	4 Amps @ 28 VDC or 115/208V 400 Hz (Case Grounded) 2 Amps @ 115/208V 60 Hz (Case Grounded)
Lamp .....	2 Amps @ 28 VDC or 115/208V 400 Hz (Case Grounded) 1.5 Amps @ 115/208V 60 Hz (Case Grounded)

**Life** .....100,000 operations minimum @ rated  
resistive load, 125°C  
**Pull In Power** .....500 mw approx.

**Operate/Release Time:**                      **DC Coil**    **AC Coil**  
   15 ms max   50 ms max  
 Excluding bounce time at nominal coil voltage

**Contact Bounce Time**..... 1 ms max  
   @ rated contact load, 28 VDC

**Contact Voltage Drop:**  
 Before Life..... 150 mv max @ 10 Amps  
   and 6 VDC  
 After Life ..... 175 mv max @ 10 Amps  
   and 6 VDC

#### ENVIRONMENTAL

**Temperature Range**..... -70°C to +125°C  
**Vibration (Note 2)**..... 0.12" DA 10 - 70 Hz  
   30 G's 70 - 3,000 Hz  
**Shock (Operating)(Note 2)** ..... 200 G's 6 ms

#### ELECTRICAL CHARACTERISTICS

**Duty Cycle**.....Continuous  
**Insulation Resistance** ..... 100 megohms  
   @ 500V 25°C

#### Dielectric Strength:

Sea Level:  
 Contact to Case ..... 1,250 VRMS  
 Contact to Coil ..... 1,250 VRMS  
 Coil to Case ..... 1,000 VRMS  
 Across Open Contacts ..... 1,250 VRMS  
 80,000 Feet:  
 All Points ..... 350 VRMS

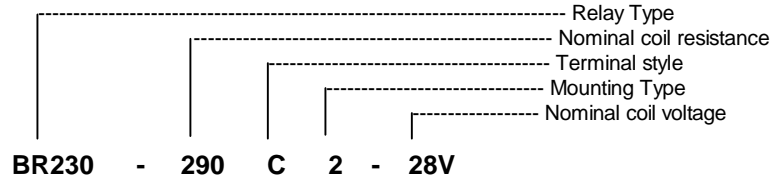
### MIL-PRF-83536/15 QUALIFIED to ER level M

#### Notes:

- For other ratings consult the factory.
- For applications requiring higher shock and vibration, consult the factory.
- AC coil line frequency 50 to 400 Hz.

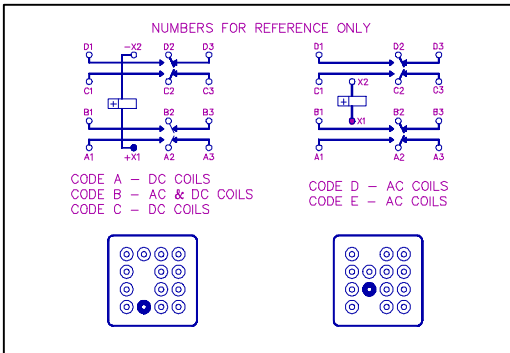
## COIL DATA:

MODEL BR230 PART NUMBER	BR230-20()-6V	BR230-78()-12V	BR230-290()-28V	BR230-890()-48V	BR230AC-()-115V (Note 3)
NOMINAL COIL VOLTAGE	6 VDC	12 VDC	28 VDC	48 VDC	115 VAC
MAXIMUM COIL VOLTAGE	8 VDC	15 VDC	29 VDC	59 VDC	122 VAC
PULL IN VOLTAGE (MAX @ +125°C)	4.5 VDC	9 VDC	18 VDC	36 VDC	90 VAC
DROP OUT VOLTAGE (MAX)	1.8 VDC	3.5 VDC	5.1 VDC	11 VDC	5 - 30 VAC
COIL RESISTANCE ± 10% @ 25°C	20 OHMS	78 OHMS	290 OHMS	890 OHMS	I = 0.04 AMPS

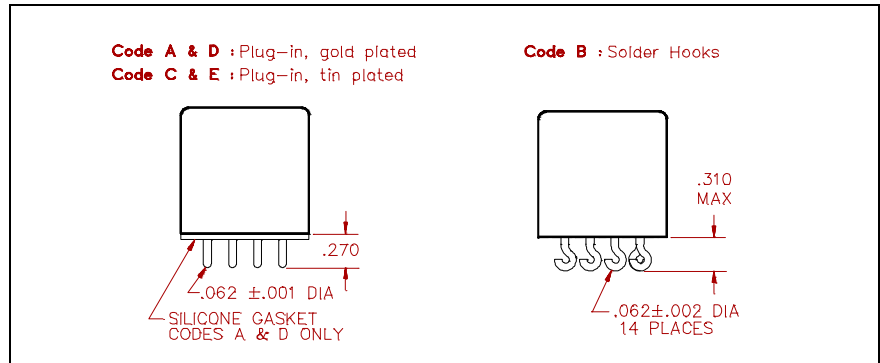


## SCHEMATIC

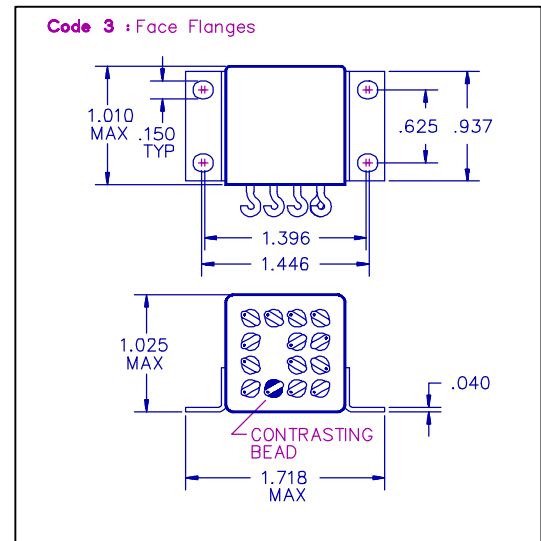
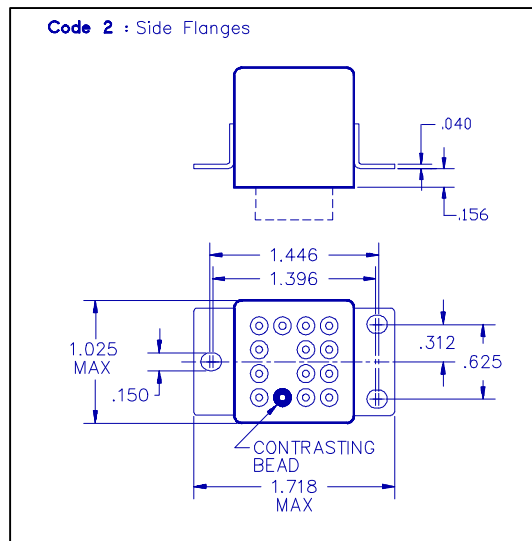
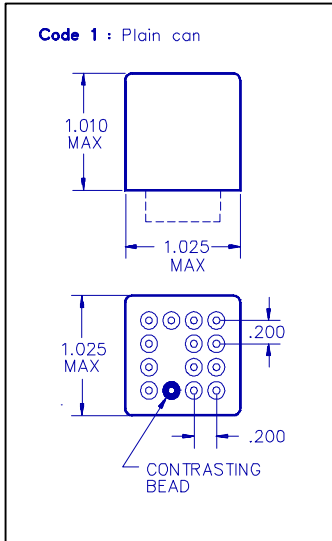
### TERMINAL VIEWS



### TERMINAL STYLES



## MOUNTING CODES



## GENERAL NOTES

- Unless otherwise specified, all tests made at nominal coil voltages, @ 25°C.
- For special coil variations, switching configurations, terminals styles and mounting types, consult the factory.
- Unless otherwise specified, tolerances on decimal dimensions are ± .010".
- Specifications contained herein are subject to change without notice.