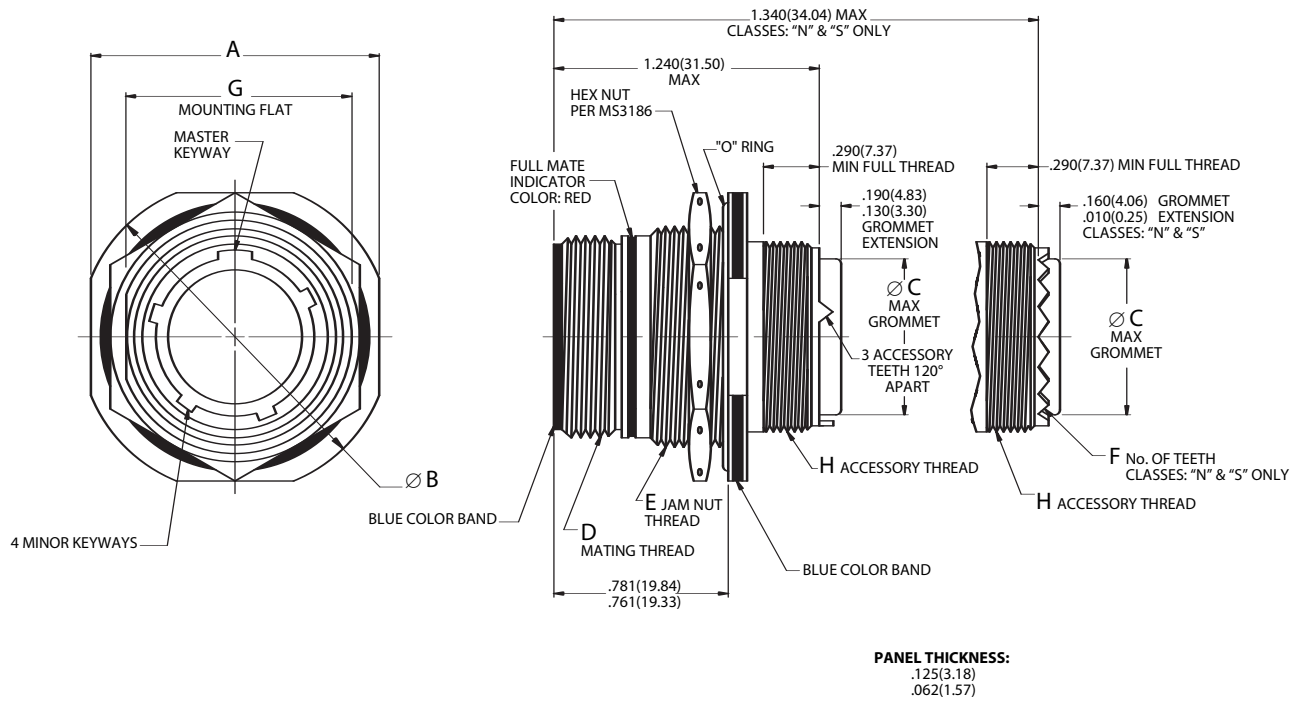




Threaded Coupling, Crimp Removable, Rear Release



- Page 93 Completed Part Number
- Page 104 Contacts, Sealing Plugs and Tools
- Pages 107, 108 Insert Arrangements
- Page 87 Performance Specifications
- Page 106 Insert Availability and Contact Information
- Page 102 Polarization

Shell Size	A		Ø B		Ø C		D	E	F	G		H
	+0.016	+0.41	+0.016	+0.41	Maximum	Mating Thread Class 2A	Jam Nut Thread Class 2A	No. of Teeth	±.003	±.08	Accessory Thread Class 2A	
	-.015	-.38	-.015	-.38								
	inch	mm	inch	mm	inch	mm			inch	mm		
8	.964	24.49	1.062	26.97	.305	7.75	9/16-24UNEF	5/8-20UN	12	.593	15.06	1/2-20UNF
10	1.088	27.64	1.176	29.87	.405	10.29	11/16-24UNEF	3/4-20UNEF	15	.718	18.24	5/8-24UNEF
12	1.275	32.39	1.364	34.65	.531	13.49	7/8-20UNEF	15/16-20UNEF	21	.905	22.99	3/4-20UNEF
14	1.375	34.93	1.545	39.24	.665	16.89	15/16-20UNEF	1-20UNEF	24	.968	24.59	7/8-20UNEF
16	1.500	38.10	1.625	41.28	.790	20.07	1-1/16-18UNEF	1-1/8-18UNEF	30	1.093	27.76	1-20UNEF
18	1.625	41.28	1.750	44.45	.869	22.07	1-3/16-18UNEF	1-1/4-18UNEF	33	1.217	30.91	1-1/16-18UNEF
20	1.750	44.45	1.938	49.23	.994	25.25	1-5/16-18UNEF	1-3/8-18UNEF	36	1.342	34.09	1-3/16-18UNEF
22	1.938	49.23	2.062	52.37	1.119	28.42	1-7/16-18UNEF	1-1/2-18UNEF	39	1.467	37.26	1-5/16-18UNEF
24	2.063	52.40	2.166	55.02	1.244	31.60	1-9/16-18UNEF	1-5/8-18UNEF	42	1.592	40.44	1-7/16-18UNEF
28	2.314	58.78	2.428	61.67	1.475	37.47	1-13/16-16UN	1-7/8-20UN	54	1.840	46.74	1-3/4-18UNS