

Fig. 1

- Headers (830 & 832) use MM# 6218 pins. See page 175 for details.
- Sockets (831 & 833) use MM# 1802 receptacles and accept pin diameters from 0,38-0,64. See page 140 for details.
- Coplanarity 0,13 (Single Row max 12 pins; Double Row max 24 pins) for higher pin counts contact technical support.
- Insulators are high temp. thermoplastic.

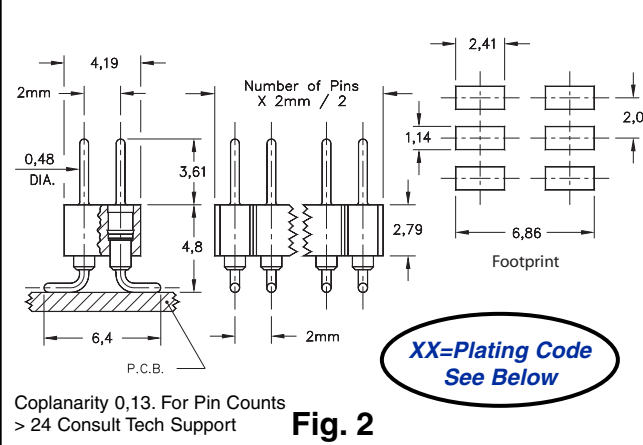
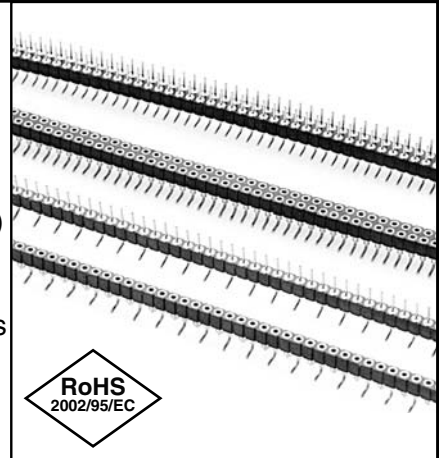


Fig. 2

*XX=Plating Code
See Below*

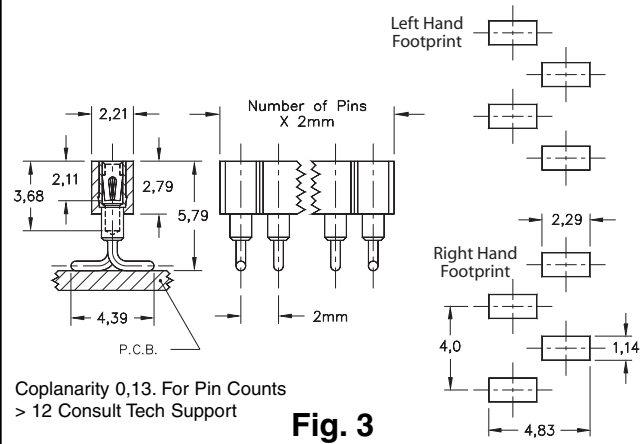


Fig. 3

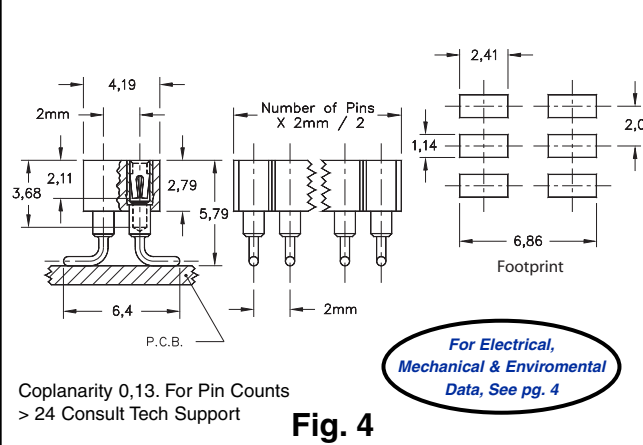


Fig. 4

*For Electrical,
Mechanical & Environmental
Data, See pg. 4*

Ordering Information

Fig. 1L	Single Row Header, Left Hand Footprint Odd or Even # of pins	830-XX-0__-30-001000
	Specify # of pins	01-50
Fig. 1R	Single Row Header, Right Hand Footprint Even # of pins	830-XX-0__-30-002000
	Specify even # of pins	02-50
Fig. 2	Double Row Header, Even # of pins	832-XX-__-30-001000
	Specify even # of pins	004-100
SPECIFY PLATING CODE XX=		10◇ 90 40◇
Pin Plating		0,25µm Au 5,08µm Sn/Pb 5,08µm Sn
Fig. 3L	Single Row Socket, Left Hand Footprint Odd or Even # of pins	831-XX-0__-30-001000
	Specify # of pins	01-50
Fig. 3R	Single Row Socket, Right Hand Footprint Even # of pins	831-XX-0__-30-002000
	Specify even # of pins	02-50
Fig. 4	Double Row Socket, Even # of pins	833-XX-__-30-001000
	Specify even # of pins	004-100
SPECIFY PLATING CODE XX=		93 43◇
Sleeve (Pin)		5,08µm Sn/Pb 5,08µm Sn
Contact (Clip)		0,76µm Au 0,76µm Au