

- Series 450, 460, 470, 480 double row Header Strips come with various contacts (pin, slotted head, turret and solder cup) with pluggable solder tails. (M-M# 0290, 0282, 0700, or 8000 see pages 173 & 174 for details).



Ordering Information

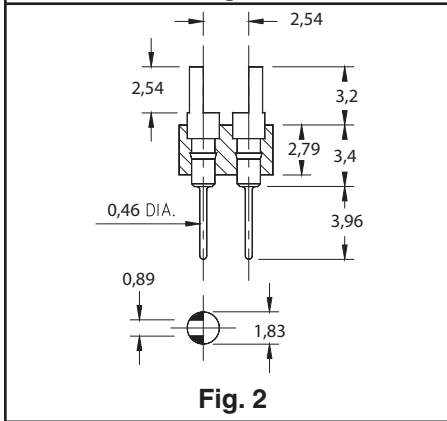


Fig. 1	Series 450...001 Pin / Solder Tail
	450-XX-2__-00-001000 Specify # of pins → 02-64

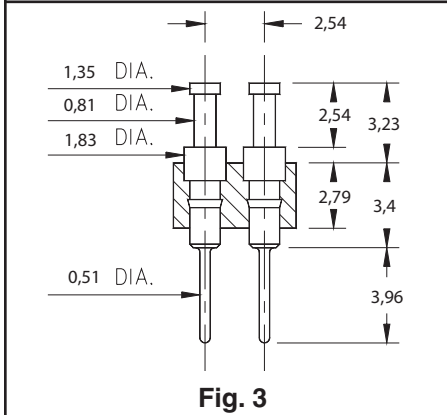


Fig. 2	Series 460...001 Slotted Head / Solder Tail
	460-XX-2__-00-001000 Specify # of pins → 02-64

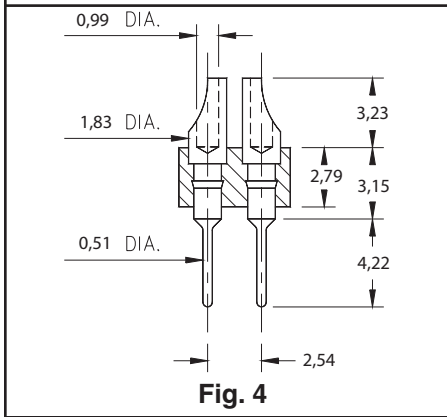


Fig. 3	Series 470...001 Turret / Solder Tail
	470-XX-2__-00-001000 Specify # of pins → 02-64

Fig. 4	Series 480...001 Solder Cup / Solder Tail
	480-XX-2__-00-001000 Specify # of pins → 02-64

XX=Plating Code
See Below



For RoHS compliance, select \diamond plating code. For the gold option (XX=10) also change part number from 4X0-XX-2XX-00-001000 to 4X0-10-2XX-00-001100

SPECIFY PLATING CODE XX=	10 \diamond	90	40 \diamond	
Pin Plating	0,25 μ m Au	5,08 μ m Sn/Pb	5,08 μ m Sn	