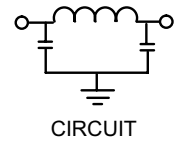
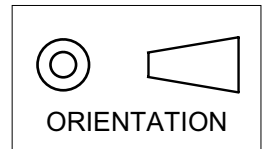


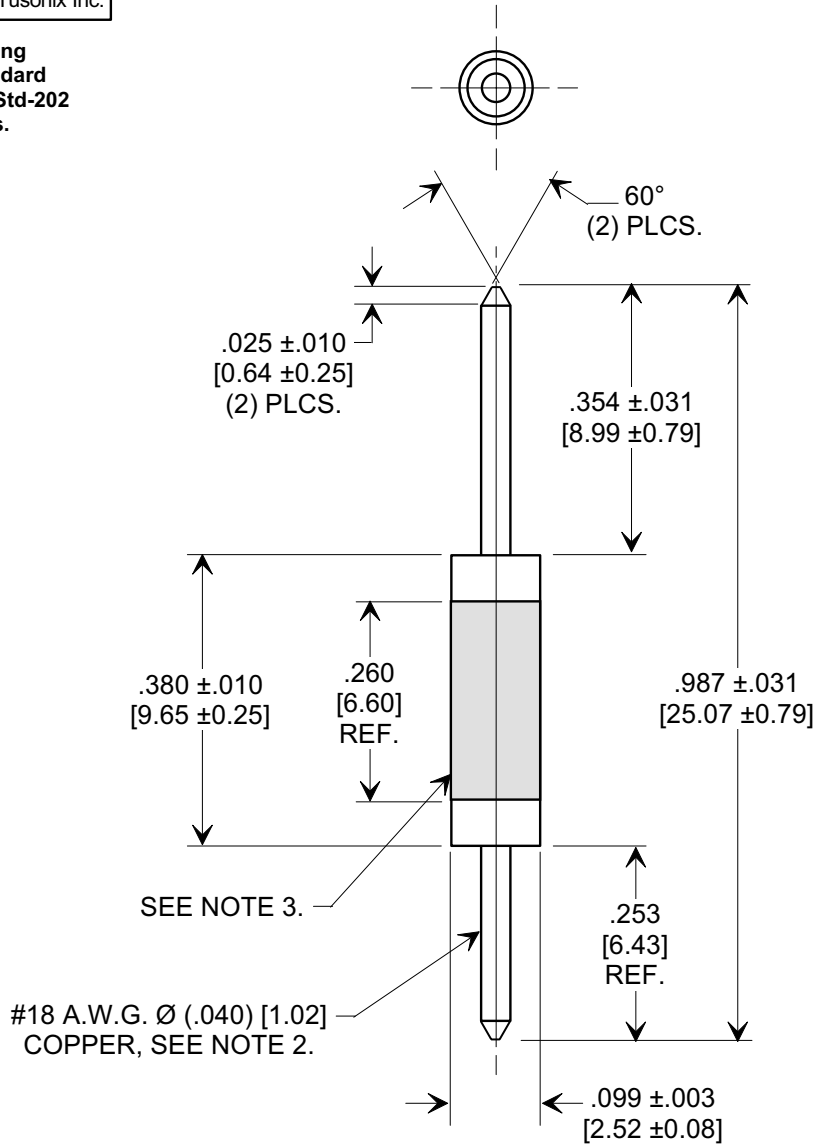
# MARKETING SALES DRAWING

**DIMENSIONS IN INCHES - DO NOT SCALE THIS DRAWING**  
**DIMENSIONS IN METRIC - [ ]**

This drawing is the property of Tusonix, Inc., and may not be used, reproduced, published or disclosed to others without expressed authorization by Tusonix Inc.



**Electrical Testing**  
per Tusonix standard  
test plans and Mil-Std-202  
Test Methods.



**NOTES:**

1. TUSONIX STANDARD PART NUMBER: 4104-803.  
TUSONIX RoHS COMPLIANT PART NUMBER: 4104-803 LF.  
CUSTOMER MUST SPECIFY STANDARD OR RoHS PART NUMBER WHEN ORDERING.
2. LEAD FINISH: GOLD PLATED.
3. DIELECTRIC ELECTRODE: FIRED-ON SILVER PAINT.
4. PART MARKING: STANDARD, NO MARKING. RoHS PART, GREEN INK DOT.

| MIN. CAP (pF) | WORKING VOLTAGE (WVDC) |       | CURRENT I <sub>dc</sub> | I.R. MIN. @ 100 (VDC) | DWV (VDC) | MINIMUM NO-LOAD INSERTION LOSS (dB) AT 125°C PER MIL-STD 220 |         |       |        |
|---------------|------------------------|-------|-------------------------|-----------------------|-----------|--|---------|-------|--------|
|               | 85°C                   | 125°C |                         |                       |           | 10 MHz   | 100 MHz | 1 GHz | 10 GHz |
| 1700          | 125                    | 50    | 15                      | 10 G Ω                | 250       | 5  | 30      | 69    | 69     |

|              |                       |                                |               |  |               |  |                         |       |          |
|--------------|-----------------------|--------------------------------|---------------|--|---------------|--|-------------------------|-------|----------|
| X-2015 Rev-0 | REVISION RECORD       |                                |               |  |               | --TOLERANCES--<br>Unless Otherwise Specified |                         | Title |          |
|              | Original Release C.O. | WAS SK 8188-748. S.M. 08-11-06 | 20060809-1-05 | REVISED DWG PER SK 8188-845. S.M. 07-30-07 | 20070727-2-03 | DECIMAL ± NOTED                              | <b>EMI FILTER</b>       |       |          |
|              |                       |                                |               |  |               | ANGLES ±                                     |                         |       |          |
|              |                       |                                |               |  |               | <b>TUSONIX</b><br>TUCSON, ARIZONA            | Approved B.Mc. 07-24-06 |       | <b>A</b> |
|              |                       |                                |               |  |               |  |                         |       |          |