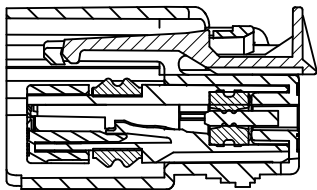
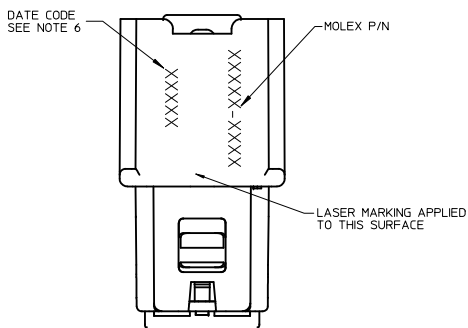


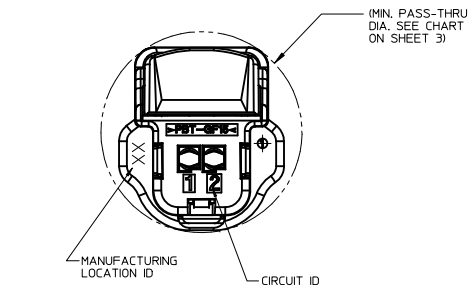
SECTION A-A
TPA SHOWN IN AS-SHIPPED
PRE-LOCKED POSITION
SEE NOTE 3



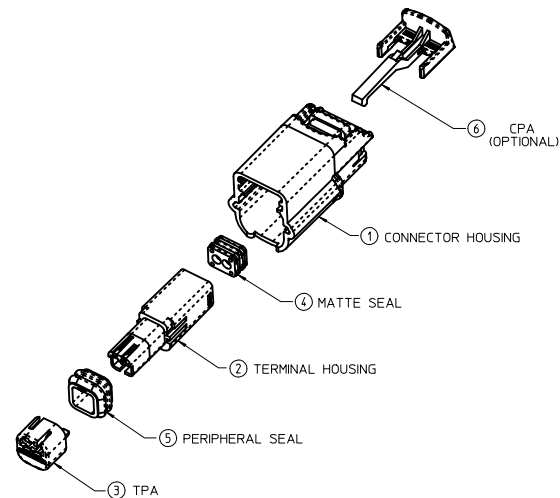
SECTION A-A
TPA SHOWN IN FINAL
LOCKED POSITION



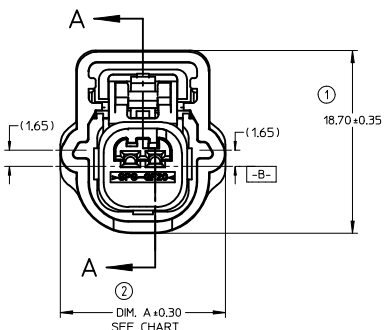
BOTTOM VIEW



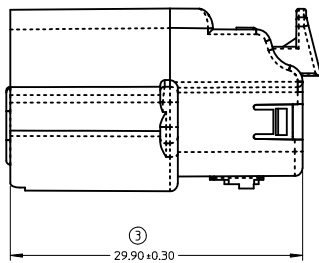
BACK VIEW



ITEM	DESCRIPTION	COLOR
1	CONNECTOR HOUSING	SEE CHART
2	TERMINAL HOUSING	BLACK
3	TPA	NATURAL
4	MATTE SEAL	SEE CHART
5	PERIPHERAL SEAL	SEE CHART
6	CPA - OPTIONAL	RED



FRONT VIEW



RIGHT SIDE VIEW

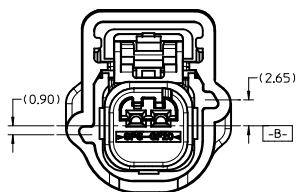
CONNECTOR ASSEMBLY WITHOUT CLIPSLOT

NOTES:

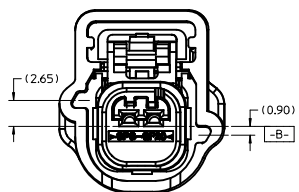
- DESIGNED TO MATE WITH DEVICE CONNECTION AS SPECIFIED IN USCAR INTERFACE DRAWINGS FOR SINGLE ROW SEALED 0.64 SYSTEMS. SEE WWW.USCARTEAMS.ORG.
- ASSEMBLY SHIPPED WITH TPA IN PRE-LOCKED POSITION (SEE SECTION A-A). UPON FULL TERMINAL ASSEMBLY, TPA MUST BE SEATED TO THE FINAL LOCKED POSITION.
- TPA'S MAY BECOME SEATED DURING TRANSIT. IF THIS OCCURS, TPA'S SHOULD BE MOVED TO THE PRE-LOCKED POSITION PRIOR TO FEMALE TERMINAL INSTALLATION. REFERENCE PRODUCT SPECIFICATION: PS-34646-001
- SYSTEM TO BE USED WITH WIRE WITHIN RANGE OF 22 AWG TO 18 AWG. WITH OUTSIDE WIRE DIAMETERS RANGING FROM 150MM TO 2.06MM.
- POLARIZATION FEATURE EFFECTIVENESS PER USCAR-2 PARAGRAPH 5.4.4 IS REDUCED WHEN TESTING ALL POLARIZATION OPTIONS: 100N MIN.
- DATE CODE: FIRST TWO DIGITS IS THE CALENDAR YEAR (EXAMPLE: 04 = 2004). THIRD THROUGH 5TH DIGIT DAY # OF THE CALENDAR YEAR (EXAMPLE: FEB. 3RD = '034').
- SEE SHEET #2 FOR CONNECTOR ASSEMBLY WITH CLIP SLOT.
- FOR CLIPSLOT CONNECTOR: CLIP OVERHANGS CONNECTOR, PLEASE CHECK APPLICATION (COULD CAUSE WIRE CHAFING)-SHORTER CLIP IS A RECOMMENDATION.

PART NUMBER LEGEND
CONNECTOR ASSEMBLY

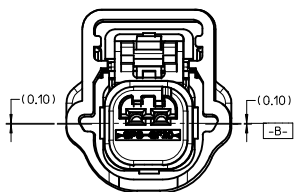
- 3140X-XXXX
- SEAL PLUG CONFIGURATION (AS MOLDED)
 - 0 - ALL CIRCUITS OPEN
 - 1-9 SEE CHART
 - CPA OPTION
 - 0 OR 2 - WITHOUT CPA
 - 1 OR 3 - WITH CPA
 - 4 - WITHOUT CPA, WITH CLIPSLOT
 - 5 - WITH CPA, WITH CLIPSLOT
 - USCAR POLARIZATION OPTION
 - 1 - POLARIZATION OPTION A
 - 2 - POLARIZATION OPTION B
 - 3 - POLARIZATION OPTION C
 - 4 - POLARIZATION OPTION D
 - 5 - POLARIZATION OPTION B, BLACK
 - 6 - POLARIZATION OPTION C, BLACK
 - 7 - POLARIZATION OPTION D, BLACK
 - CIRCUIT SIZE 2, 3, 4, 5, 6 & 8
 - TERMINAL OPTION
 - 2 - TYCO/MOLEX GET 0.64
 - 3 - MOLEX 0.64
 - 4 - YAZAKI KAIZAN 0.64



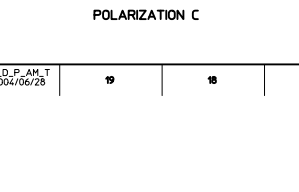
POLARIZATION A



POLARIZATION B

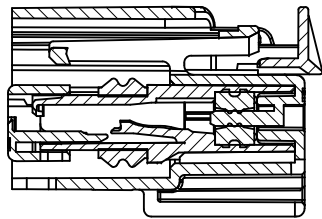


POLARIZATION C



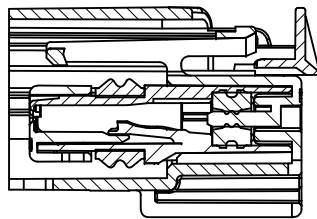
POLARIZATION D

EC NO: UAU2010-1604 2010/04/01 DRAWNS: RYKYL CHYK/RCARLSON 2004/09/28 APPROV: WKO 2010/04/28	QUALITY SYMBOLS ▽=0 ▽=0	GENERAL TOLERANCES (UNLESS SPECIFIED)		DIMENSION STYLE MM ONLY	SCALE 4:1	DESIGN UNITS METRIC	THIRD ANGLE PROJECTION
		4 PLACES ±.05 ±.05 3 PLACES ±.05 ±.05 2 PLACES ±0.13 ±.05 1 PLACE ±0.3 ±.05	±.05 ±.05 ±.05 ±.05 ±.05 ±.05 ±.05 ±.05	DRAWN BY RCARLSON 2003/09/25	DATE 2003/09/25	TITLE 0.64 USCAR CONNECTOR SEALED SINGLE ROW ASSEMBLY	MOLEX INCORPORATED
DRAFT WHERE APPLICABLE MUST REMAIN WITHIN DIMENSIONS		MATERIAL NO. SEE CHART		DOCUMENT NO. SD-31402-211		SHEET NO. 1 OF 5	



SECTION C-C

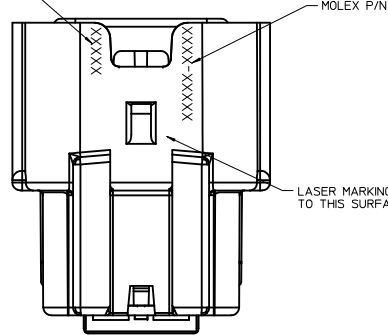
TPA SHOWN IN AS-SHIPPED
PRE-LOCKED POSITION
SEE NOTE 3



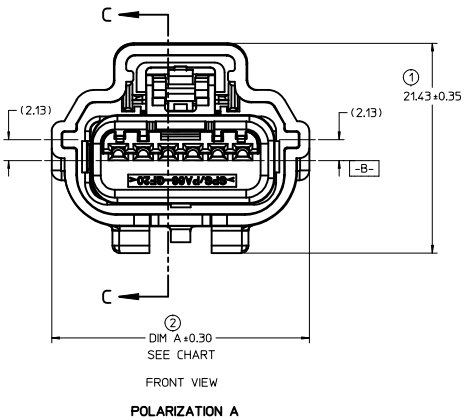
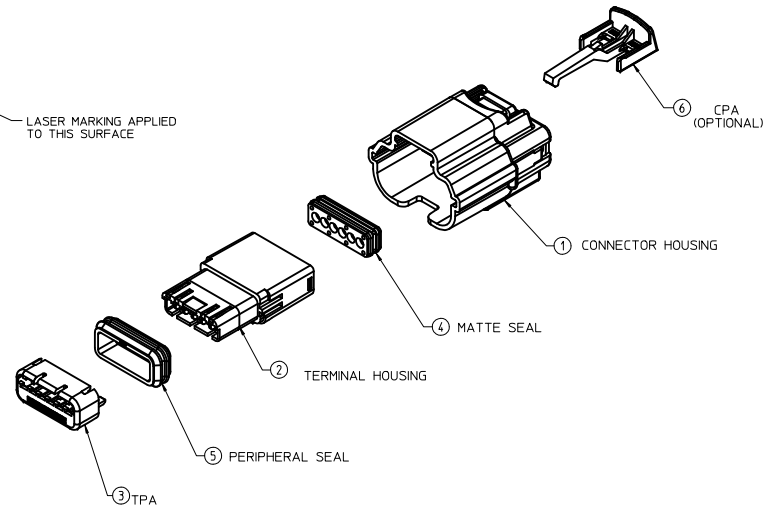
SECTION C-C

TPA SHOWN IN FINAL
LOCKED POSITION

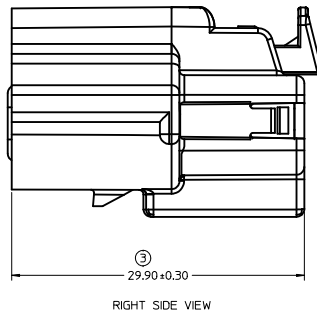
DATE CODE
SEE NOTE 6



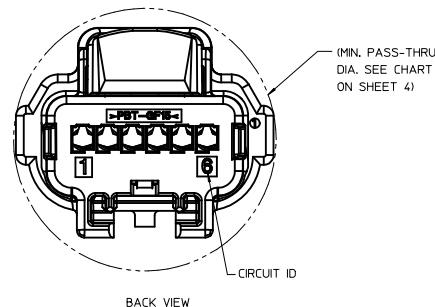
BOTTOM VIEW



FRONT VIEW
POLARIZATION A



RIGHT SIDE VIEW



BACK VIEW

CONNECTOR ASSEMBLY
WITH CLIPSLOT

ENTER DESCRIPTION IEC NO. UAU2010-1604 DRAWN BY: DRWNSYRZYL 2010/04/07 CHECKED BY: CHYKRCARLSON 2004/09/28 APPROV: VKOSHY 2010/04/28	QUALITY SYMBOLS ∇=0 ∇=0 ∇=0	GENERAL TOLERANCES (UNLESS SPECIFIED)		DIMENSION STYLE MM ONLY	SCALE 4:1	DESIGN UNITS METRIC	THIRD ANGLE PROJECTION		
		4 PLACES ± --- ± ---	3 PLACES ± --- ± ---	2 PLACES ± 0.13 ± ---	1 PLACE ± 0.3 ± ---	DRAWN BY: RCARLSON CHECKED BY: RCARLSON APPROVED BY: VKOSHY	DATE: 2003/09/25 DATE: 2004/09/28 DATE: 2010/03/25	TITLE 0.64 USCAR CONNECTOR SEALED SINGLE ROW ASSEMBLY	MOLEX INCORPORATED
		DRAFT WHERE APPLICABLE MUST REMAIN WITHIN DIMENSIONS		MATERIAL NO. SEE CHART	DOCUMENT NO. SD-31402-211	SHEET NO. 2 OF 5			
		THIS DRAWING CONTAINS INFORMATION THAT IS PROPRIETARY TO MOLEX INCORPORATED AND SHOULD NOT BE USED WITHOUT WRITTEN PERMISSION							

PART NUMBER WITHOUT CPA	PART NUMBER WITH CPA	CLIPSLOT OPTION	ROW/ CIRCUITS	KEY*	SEAL COLOR	CONNECTOR COLOR	WIDTH DIM (A)	MIN. PASS THRU DIA.	FEMALE TERMINAL SUPPLIER	USCAR FOOTPRINT DRAWING NO.	STATUS							
31402-2100	31402-2100	NO	1 X 2	A	BLUE	BLACK	16.88	(20.80)	TYCO OR MOLEX GET 0.64	064-S-002-1-202	TOOLED BUT NOT VALIDATED							
31402-2200	31402-2200			B		GRAY												
31402-2300	31402-2300			C		BROWN												
31402-2400	31402-2400			D		GREEN												
31402-2500	31402-2500			B		BLACK												
31402-2600	31402-2600			C		BLACK												
31402-2700	31402-2700			D		BLACK												
31403-2100	31403-2100			A		BLACK												
31403-2200	31403-2200			B		GRAY												
31403-2300	31403-2300			C		BROWN												
31403-2400	31403-2400			D		GREEN												
31403-2500	31403-2500			B		BLACK												
31403-2600	31403-2600			C		BLACK												
31403-2700	31403-2700			D		BLACK												
31404-2100	31404-2100			A		BLACK												
31404-2200	31404-2200			B		GRAY												
31404-2300	31404-2300			C		BROWN												
31404-2400	31404-2400			D		GREEN												
31404-2500	31404-2500			B		BLACK												
31404-2600	31404-2600			C		BLACK												
31404-2700	31404-2700			D		BLACK												
31402-3100	31402-3100			NO		1 X 3			A			RUST RED	BLACK	18.70	(22.00)	TYCO OR MOLEX GET 0.64	064-S-003-1-201	
31402-3200	31402-3200								B				GRAY					
31402-3300	31402-3300								C				BROWN					
31402-3400	31402-3400	D	GREEN															
31402-3500	31402-3500	B	BLACK															
31402-3600	31402-3600	C	BLACK															
31402-3700	31402-3700	D	BLACK															
31403-3100	31403-3100	A	BLACK															
31403-3200	31403-3200	B	GRAY															
31403-3300	31403-3300	C	BROWN															
31403-3400	31403-3400	D	GREEN															
31403-3500	31403-3500	B	BLACK															
31403-3600	31403-3600	C	BLACK															
31403-3700	31403-3700	D	BLACK															
31404-3100	31404-3100	A	BLACK															
31404-3200	31404-3200	B	GRAY															
31404-3300	31404-3300	C	BROWN															
31404-3400	31404-3400	D	GREEN															
31404-3500	31404-3500	B	BLACK															
31404-3600	31404-3600	C	BLACK															
31404-3700	31404-3700	D	BLACK															
31402-4100	31402-4100	NO	1 X 4		A		BLUE	BLACK	21.25	(22.34)	TYCO OR MOLEX GET 0.64		064-S-004-1-202					
31402-4200	31402-4200				B			GRAY										
31402-4300	31402-4300				C			BROWN										
31402-4400	31402-4400			D	GREEN													
31402-4500	31402-4500			B	BLACK													
31402-4600	31402-4600			C	BLACK													
31402-4700	31402-4700			D	BLACK													
31403-4100	31403-4100			A	BLACK													
31403-4200	31403-4200			B	GRAY													
31403-4300	31403-4300			C	BROWN													
31403-4400	31403-4400			D	GREEN													
31403-4500	31403-4500			B	BLACK													
31403-4600	31403-4600			C	BLACK													
31403-4700	31403-4700			D	BLACK													
31404-4100	31404-4100			A	BLACK													
31404-4200	31404-4200			B	GRAY													
31404-4300	31404-4300			C	BROWN													
31404-4400	31404-4400			D	GREEN													
31404-4500	31404-4500			B	BLACK													
31404-4600	31404-4600			C	BLACK													
31404-4700	31404-4700			D	BLACK													

EC NO: UAU2010-1604 DRAWN BY: CHYKORCARLSON CHECKED BY: CHYKORCARLSON APPR: VKOSHY DATE: 2010/04/28 DATE: 2010/04/28	QUALITY SYMBOLS	GENERAL TOLERANCES (UNLESS SPECIFIED)	DIMENSION STYLE	SCALE	DESIGN UNITS	THIRD ANGLE PROJECTION
	▽=0 ▽=0	mm INCH 4 PLACES ± --- ± --- 3 PLACES ± --- ± --- 2 PLACES ± 0.13 ± --- 1 PLACE ± 0.3 ± --- ANGULAR ± 3 °	MM ONLY	4:1	METRIC	DRAWN BY: RCARLSON DATE: 2003/09/25 CHECKED BY: RCARLSON DATE: 2004/09/28 APPROVED BY: VKOSHY DATE: 2010/03/25
	DRAFT WHERE APPLICABLE MUST REMAIN WITHIN DIMENSIONS		SEE CHART		0.64 USCAR CONNECTOR SEALED SINGLE ROW ASSEMBLY MOLEX INCORPORATED	
			MATERIAL NO. SD-31402-211		DOCUMENT NO. SD-31402-211	

PART NUMBER WITHOUT CPA	PART NUMBER WITH CPA	CLIP/SLOT OPTION	ROW/ CIRCUITS	KEY*	SEAL COLOR	CONNECTOR COLOR	WIDTH DIM (A)	MIN. PASS THRU DIA.	FEMALE TERMINAL SUPPLIER	USCAR FOOTPRINT DRAWING NO.	STATUS
31402-5100	31402-5110	NO	1 X 5	A	RUST RED	BLACK	23.80	(24.28)	TYCO OR MOLEX GET 0.64	064-S-005-1-Z02	
31402-5200	31402-5210			B		GRAY					
31402-5300	31402-5310			C		BROWN					
31402-5400	31402-5410			D		GREEN					
31402-5500	31402-5510			B		BLACK					
31402-5600	31402-5610			C		BLACK					
31402-5700	31402-5710			D		BLACK					
31403-5100	31403-5110			A		BLACK					
31403-5200	31403-5210			B		GRAY					
31403-5300	31403-5310			C		BROWN					
31403-5400	31403-5410			D		GREEN					
31403-5500	31403-5510			B		BLACK					
31403-5600	31403-5610			C		BLACK					
31403-5700	31403-5710			D		BLACK					
31404-5100	31404-5110			A		BLACK					
31404-5200	31404-5210			B		GRAY					
31404-5300	31404-5310			C		BROWN					
31404-5400	31404-5410			D		GREEN					
31404-5500	31404-5510			B		BLACK					
31404-5600	31404-5610			C		BLACK					
31404-5700	31404-5710	D	BLACK								
31402-6100	31402-6110	NO	1 X 6	A	BLUE	BLACK	26.33	(26.82)	TYCO OR MOLEX GET 0.64	064-S-006-1-Z02	
31402-6200	31402-6210			B		GRAY					
31402-6300	31402-6310			C		BROWN					
31402-6400	31402-6410			D		GREEN					
31402-6500	31402-6510			B		BLACK					
31402-6600	31402-6610			C		BLACK					
31402-6700	31402-6710			D		BLACK					
31403-6100	31403-6110			A		BLACK					
31403-6200	31403-6210			B		GRAY					
31403-6300	31403-6310			C		BROWN					
31403-6400	31403-6410			D		GREEN					
31403-6500	31403-6510			B		BLACK					
31403-6600	31403-6610			C		BLACK					
31403-6700	31403-6710			D		BLACK					
31404-6100	31404-6110			A		BLACK					
31404-6200	31404-6210			B		GRAY					
31404-6300	31404-6310			C		BROWN					
31404-6400	31404-6410			D		GREEN					
31404-6500	31404-6510			B		BLACK					
31404-6600	31404-6610			C		BLACK					
31404-6700	31404-6710	D	BLACK								
31404-6100	31404-6110	A	BLACK								
31404-6200	31404-6210	B	GRAY								
31404-6300	31404-6310	C	BROWN								
31404-6400	31404-6410	D	GREEN								
31404-6500	31404-6510	B	BLACK								
31404-6600	31404-6610	C	BLACK								
31404-6700	31404-6710	D	BLACK								

EC NO: UAU2010-1604 DRAWN BY: DRWNSVERZYL CHECKED BY: CHYKRCARLSON APPR: VKOSHY DATE: 2010/04/28 DATE: 2004/09/28 DATE: 2010/04/28	QUALITY SYMBOLS ▽=0 ▽=0	GENERAL TOLERANCES (UNLESS SPECIFIED)		DIMENSION STYLE MM ONLY		SCALE 4:1	DESIGN UNITS METRIC	THIRD ANGLE PROJECTION	
		4 PLACES ± mm ± INCH		DRAWN BY: R CARLSON DATE: 2003/09/25		TITLE 0.64 USCAR CONNECTOR SEALED SINGLE ROW ASSEMBLY			
		3 PLACES ± 0.13 ± ---		CHECKED BY: R CARLSON DATE: 2004/09/28		MOLEX INCORPORATED			
		1 PLACE ± 0.3 ± --- ANGULAR ± 3 °		APPROVED BY: VKOSHY DATE: 2010/03/25		MATERIAL NO: SEE CHART		DOCUMENT NO: SD-31402-211	
DRAFT WHERE APPLICABLE MUST REMAIN WITHIN DIMENSIONS									
THIS DRAWING CONTAINS INFORMATION THAT IS PROPRIETARY TO MOLEX INCORPORATED AND SHOULD NOT BE USED WITHOUT WRITTEN PERMISSION									

