

PICO Seconds Delay Lines

SERIES: 2057

BNC Connectors



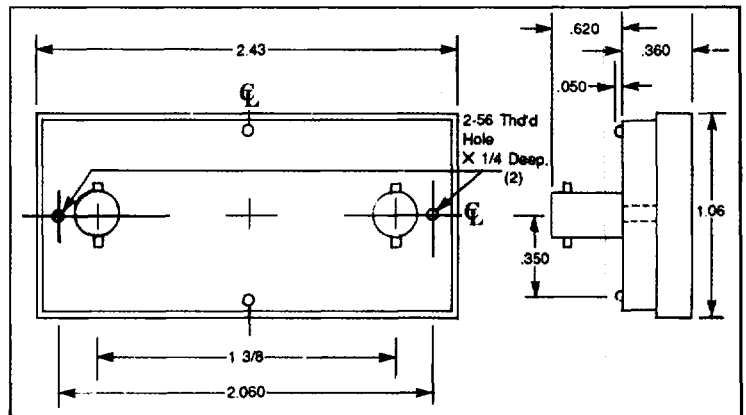
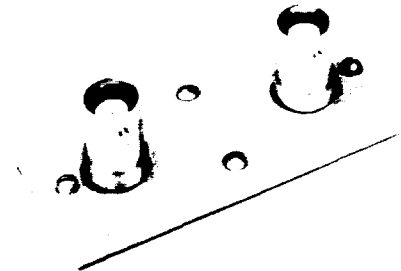
Description:

The ever increasing speed of today's computers and system designs demands that propagation delays due to integrated circuit, printed circuit board lay-out and stray capacitance be compensated without reducing the system speed.

Delay line Series 2057 was developed specifically to address these requirements. The uniform construction guarantees high fidelity of signal reproduction, band-widths in excess of 350 MHZ, and consistent delay tolerance from every production lot. These units can be easily mounted to a panel, thus producing an array of different delay times. In many cases these units can be direct replacements of coaxial cable, thus affording reduction of cost, weight and volume. Other applications include super computers and automated test equipment.

Specifications:

- Delay: Fixed.
- Delay tolerance: 2% or 20 ps, whichever is greater.
- Frequency response: Greater than 350 MHZ.
- Ripple in pass-band: Approximately .2 db.
- Temperature range: -65 to +125°C.
- Temperature coefficient: <100 PPM/°C.
- Dielectric breakdown: >500 V.
- Meets or exceeds MIL-D-23859C.
- Epoxy encapsulated.
- I/O reversible.
- Connectors: BNC female.



Part No.	Delay (ps)	Impedance (Ω)	Part No.	Delay (ps)	Impedance (Ω)
2057-300	300	50	2057-1000	1000	50
2057-350	350	50	2057-1100	1100	50
2057-400	400	50	2057-1200	1200	50
2057-500	500	50	2057-1300	1300	50
2057-600	600	50	2057-1400	1400	50
2057-700	700	50	2057-1500	1500	50
2057-800	800	50	2057-1700	1700	50
2057-900	900	50	2057-1750	1750	50

