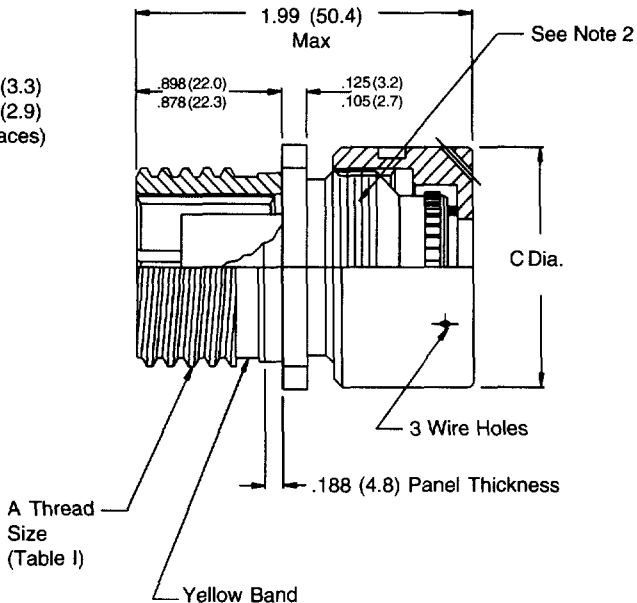
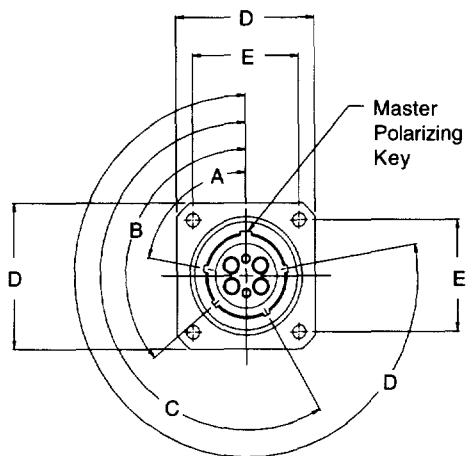
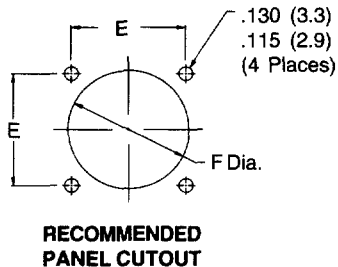
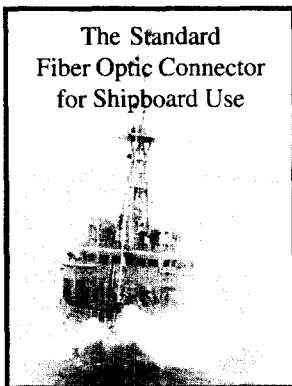
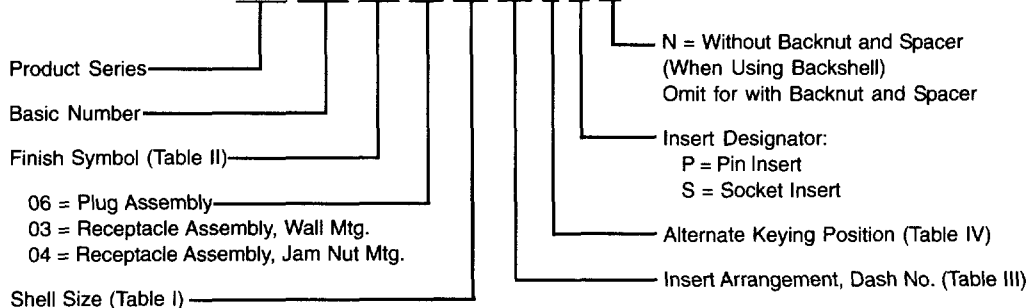




**MIL-C-28876 Style Fiber Optic Connector
For use with MIL-T-29504/14 and /15 Termini
03 Wall-Mounted Receptacle**



180-040 NF 03-13-04-1 P N



**MIL-C-28876 Style Fiber Optic Connector
For use with MIL-T-29504/14 and /15 Termini
03 Wall-Mounted Receptacle**



TABLE I: SHELL SIZE

Shell Size	"A" Thread .IP- .2L-DS	D ± .020 (0.5)	E	F Dia Max	C Dia Max
11	.750	1.022 (26.0)	.750 (19.1)	.812 (20.6)	.960 (24.4)
13	.875	1.137 (28.9)	.843 (21.4)	.937 (23.8)	1.085 (27.6)
15	1.062	1.257 (31.9)	.968 (24.6)	1.124 (28.5)	1.255 (31.9)

TABLE II: FINISH

Symbol	Finish Description
M	Electroless Nickel
NF	Cadmium/Olive Drab over Electroless Nickel (500 Hour Salt Spray)

TABLE III: INSERT ARRANGEMENT

Shell Size	Insert Arrangement Dash No.	Number of Terminus Cavities
11	02	2
13	04	4
15	06 or 08	6 or 8

TABLE IV: KEYING POSITION

Shell Size	Keying Position	A°	B°	C°	D°
11 and 13	1	95	141	208	236
	2	113	156	182	292
	3	90	145	195	252
	4	53	156	220	255
	5	119	146	176	298
	6	51	141	184	242
15	1	80	142	196	293
	2	135	170	200	310
	3	49	169	200	244
	4	66	140	200	257
	5	62	145	180	280
	6	79	153	197	272

NOTES:

1. Metric dimensions (mm) are in parentheses and are for reference only.
2. Backnut retained with thread locking compound.