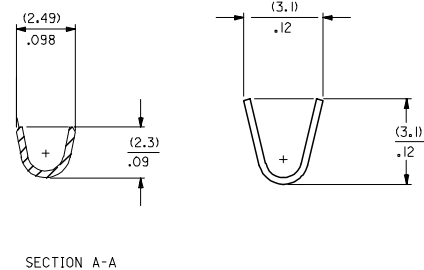
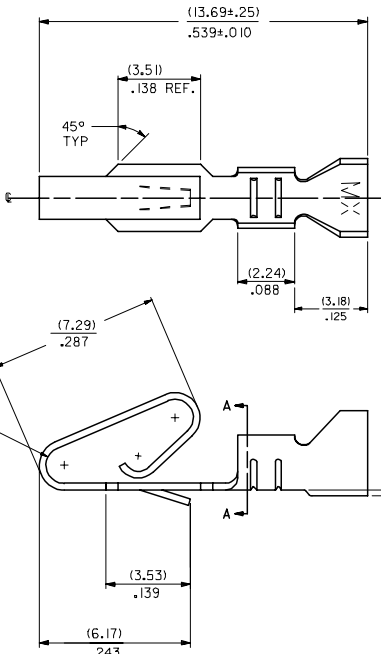
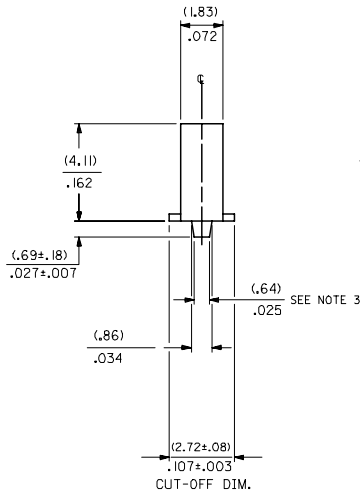
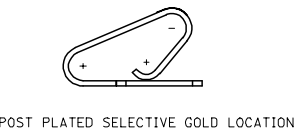
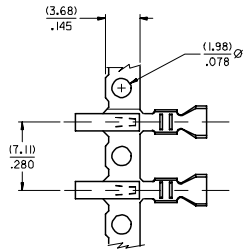


20 19 18 17 16 15 14 13 12 11 10 9 8 7 6 5 4 3 2 1



- NOTES:
1. CRIMP ACCEPTS 18 TO 22 GA. WIRE WITH (2.41)/.095 MAX. INSUL. DIA.
 2. DIMENSIONS GIVEN ACROSS CENTERLINES ARE SYMMETRICAL ABOUT THOSE CENTERLINES WITHIN HALF THE TOTAL TOLERANCE.
 3. (.86+.05)/.034+.002 IS AN OPTIONAL DESIGN.
 4. THIS PART CONFORMS TO PRODUCT SPEC. 08-50.

MATERIAL CODE
 (.27+.01)/.0106+.0004 THK.
 I=260 BRASS PER ES-124-D208
 3=521 PHOS BRONZE PER ES-124-E310

OPTION CODE
 BLANK=AS SHOWN

WINDING SPEC.
 A=PER ES-339-A
 BLANK=PER ES-339-B
 L=LOOSE

PLATING CODE
 PER SDES-88
 *(P909) OVERALL HOT TIN DIP: 2.54 MICROMETERS MIN.
 (550) SELECT GOLD: 0.38 MICROMETERS MIN.
 OVERALL GOLD FLASH: 0.05 MICROMETERS MIN.
 OVERALL NICKEL UNDERPLATE: 0.16 MICROMETERS MIN.
 (555) SELECT GOLD: 0.38 MICROMETERS MIN.
 OVERALL NICKEL UNDERPLATE: 0.76 MICROMETERS MIN.

*THE PRIMARY SHIPPING CARTON WILL BE LABELED 'COMPLIANT TO RoHS DIRECTIVE 2002/95/EC AND ELV ANNEX II OF DIRECTIVE 2000/53/EC.' CARTONS WITHOUT THIS LABEL MAY CONTAIN PRODUCT WITH TIN-LEAD PLATING.

BRASS	
PART NO.	ENG NO.
008-50-0131	4838-1(P909)
008-50-0132	4838-1(P909)L
008-55-0125	4838-1(555)
008-55-0141	4838-1(555)L
008-55-0142	4838-1(550)
008-55-0143	4838-1(550)L
-	-
-	-
-	-
-	-
-	-

PHOS BRONZE	
PART NO.	ENG NO.
008-55-0139	4838-3(P909)
008-55-0140	4838-3(P909)L
008-55-0145	4838-3(555)
008-55-0146	4838-3(555)L
008-55-0147	4838-3(550)
008-55-0148	4838-3(550)L
-	-
-	-
-	-
-	-
-	-

CHANGE TO ME10 EC NO. UCP2005-0941 DRAWN BY: MDR/NAIPATINDL 2004/11/16 CHKD: SAMIEC 2006/07/26 APPR: MARGILLIS 2006/11/09	QUALITY SYMBOLS ▽=0 ▽=0	GENERAL TOLERANCES (UNLESS SPECIFIED) 4 PLACES ± .005 3 PLACES ± .005 2 PLACES ± 0.13 ± .010 1 PLACE ± 0.25 ANGULAR ±1/2°	DIMENSION STYLE IN/MM SCALE --- INCH DESIGN UNITS INCH THIRD ANGLE PROJECTION	DRAWN BY: SAMIEC CHECKED BY: PATEL APPROVED BY: LENZ DATE: 05/09/95 DATE: 05/09/95 DATE: 05/09/95	TITLE: CRIMP TERMINAL .156 CENTERS 18-22 AWG WIRE MOLEX INCORPORATED	MATERIAL NO. SD-4838 DOCUMENT NO. SD-4838 SHEET NO. 1 OF 1
	DRAFT WHERE APPLICABLE MUST REMAIN WITHIN DIMENSIONS					
	SEE CHART					
	THIS DRAWING CONTAINS INFORMATION THAT IS PROPRIETARY TO MOLEX INCORPORATED AND SHOULD NOT BE USED WITHOUT WRITTEN PERMISSION					

19 18 17 16 15 14 13 12 11 10 9 8 7 6 5 4 3 2 1