

DO NOT SCALE FROM THIS PRINT

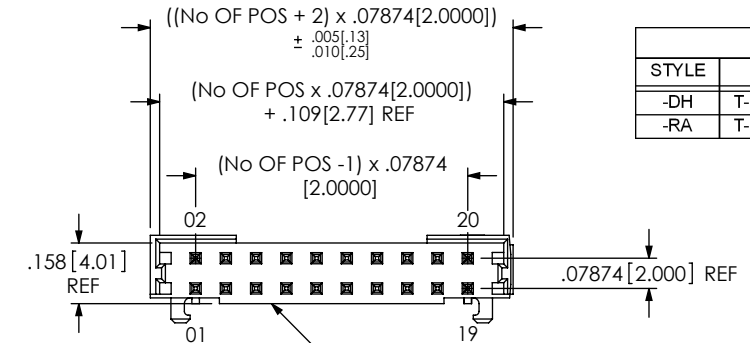


TABLE 1		
STYLE	PIN A	PIN B
-DH	T-1S13-09-XX-2	T-1S13-09-XX-2
-RA	T-1S13-02-XX-2	T-1S13-03-XX-2

TSH-1XX-XX-XX-XX-XX

- No OF POSITIONS
- DH ROW SPEC: -05 THRU -35
-RA ROW SPEC: -05 THRU -48 (PER ROW)
[INCREMENTS OF 5 STD]
- LEAD STYLE
-01: .126 POST
- PLATING SPECIFICATION
- G: GOLD, 20 Au / 50 Ni MIN ON CONTACT, 3 Au / 50 Ni MIN ON TAIL
-T: MATTE TIN CONTACT AND TAIL
-S: SELECTIVE, 30 Au / 50 Ni MIN ON CONTACT, MATTE TIN TAIL
-L: LIGHT SELECTIVE, 15 Au / 50 Ni MIN ON CONTACT, MATTE TIN TAIL
-H: HEAVY GOLD, 30 Au / 50 Ni MIN ON CONTACT, 3 Au / 50 Ni MIN ON TAIL
-F: FLASH SELECTIVE, 3 Au / 50 Ni MIN ON CONTACT, MATTE TIN TAIL
-TM: MATTE TIN CONTACT AND TAIL
-SM: SELECTIVE, 30 Au / 50 Ni MIN ON CONTACT, MATTE TIN TAIL
-LM: LIGHT SELECTIVE, 15 Au / 50 Ni MIN ON CONTACT, MATTE TIN TAIL
-FM: FLASH SELECTIVE, 3 Au / 50 Ni MIN ON CONTACT, MATTE TIN TAIL
- OPTION
- TR: TAPE AND REEL PACKAGING (-DH ONLY)
-K: POLYAMIDE FILM PAD (10 POS. MIN.) (USE K-500-300, SEE FIG. 3) (NOT AVAILABLE ON -RA) (NOT AVAILABLE ON 15 THRU 30 POSITIONS, SEE NOTE FIG. 3)
-SL: SOLDER LOCKS
- ROW SPECIFICATION
- DH: DOUBLE HORIZONTAL (SEE FIG. 1)
-RA: RIGHT ANGLE (SEE FIG. 2)

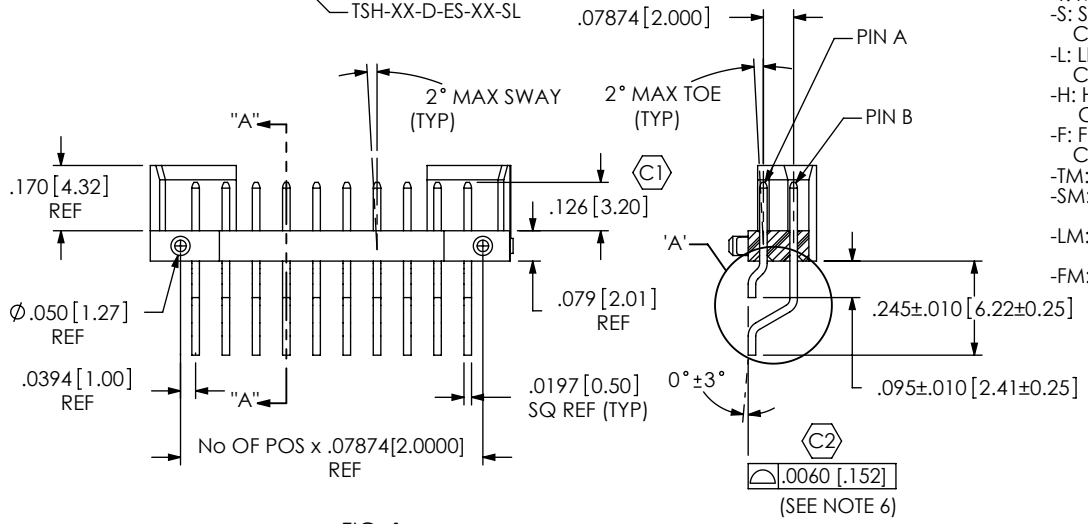
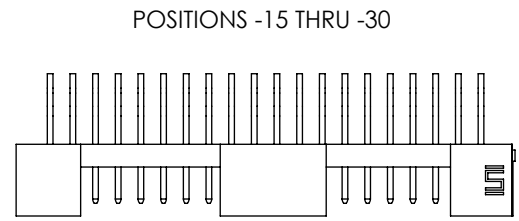
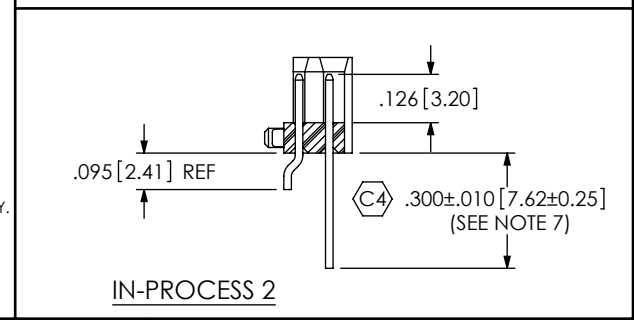
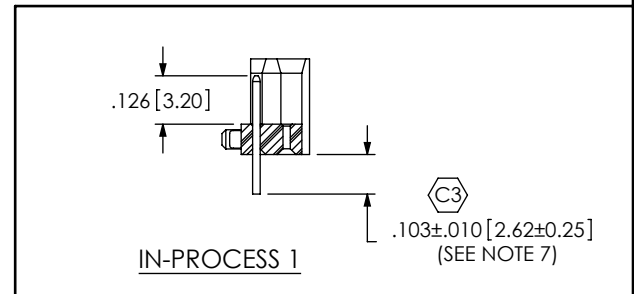


FIG. 1
-DH: DOUBLE HORIZONTAL
[AVAILABLE IN POSITIONS -05 THRU -35]
TSH-110-01-XX-DH-SL SHOWN

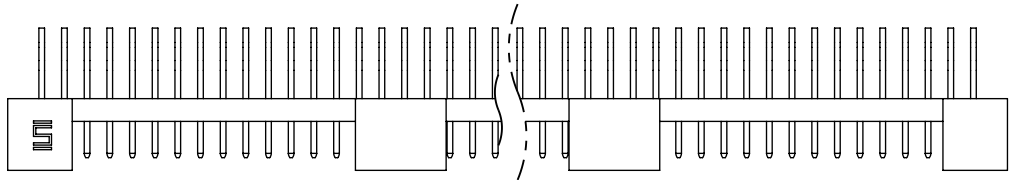
SECTION "A"- "A"

PATENT NUMBER
6159045

- NOTES:
- ⊕ REPRESENTS A CRITICAL DIMENSION.
 - MAX BURR ALLOWANCE: .002 [0.05].
 - MAX CUT FLASH: .015 [0.38].
 - MINIMUM PUSHOUT FORCE: 2 LB.
 - COPLANARITY TO INCLUDE INSULATOR.
 - PIN A AND PIN B TO BE FLUSH TO .0030 [0.076] ABOVE A LINE MADE BY BODY.
 - SHEAR TO DIMENSION SHOWN.
 - MEASURE AT BEND.
 - T-1S13-XX-T-2 MUST BE FILLED IN THE SAME WAY AS THE SELECTIVE PLATED PINS TO PREVENT BAND MARKS FROM BEING IN THE POST AREA.



POSITIONS -31 THRU -48



UNLESS OTHERWISE SPECIFIED, DIMENSIONS ARE IN INCHES.
TOLERANCES ARE:
DECIMALS ANGLES
.XX: ±.01 [.3]
.XXX: ±.005 [.13]
.XXXX: ±.0020 [.051]
2°

PROPRIETARY NOTE
THIS DOCUMENT CONTAINS INFORMATION CONFIDENTIAL AND PROPRIETARY TO SAMTEC, INC. AND SHALL NOT BE REPRODUCED OR TRANSFERRED TO OTHER DOCUMENTS OR DISCLOSED TO OTHERS OR USED FOR ANY PURPOSE OTHER THAN THAT WHICH IT WAS OBTAINED WITHOUT THE EXPRESSED WRITTEN CONSENT OF SAMTEC, INC.



520 PARK EAST BLVD, NEW ALBANY, IN 47150
PHONE: 812-944-6733 FAX: 812-948-5047
e-Mail: info@SAMTEC.com code: 5332

MATERIAL: **S** DO NOT SCALE DRAWING SHEET SCALE: 2:1
INSULATOR: LCP, UL 94 VO
TERMINAL: PHOSPHOR BRONZE

DESCRIPTION:
2mm HORIZONTAL MOUNT TERMINAL STRIP ASSEMBLY
DWG. NO. TSH-1XX-XX-XX-XX-XX

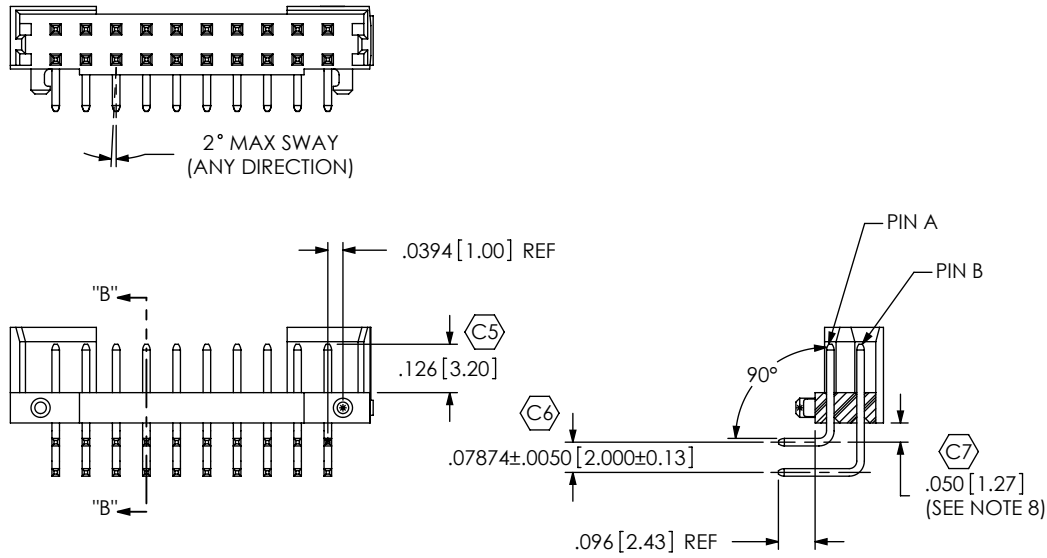


FIG. 2
-RA: RIGHT ANGLE
(SAME AS FIG. 1, UNLESS OTHERWISE STATED)
[AVAILABLE IN POSITIONS -05 THRU -48]

SECTION "B"-"B"

"R" = USE MEASURED DIMENSION
"S" = (("R" - .177[4.50]) / 2) ± .020[.51]

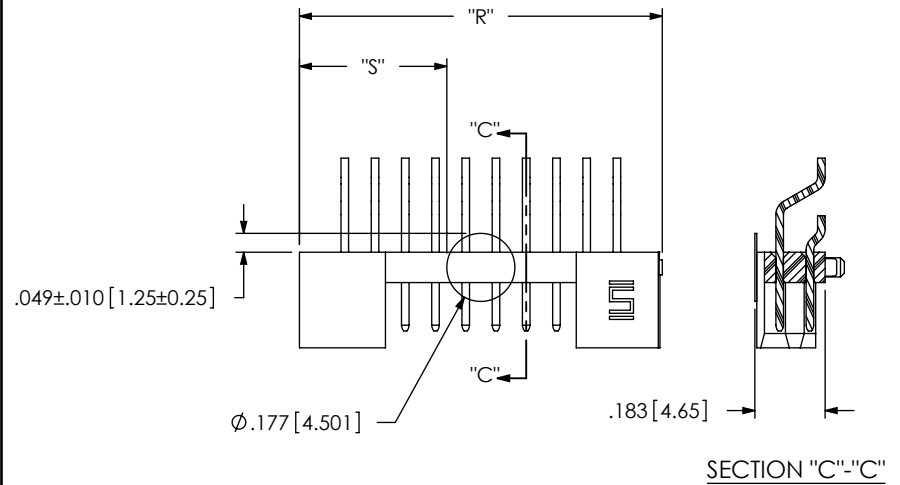
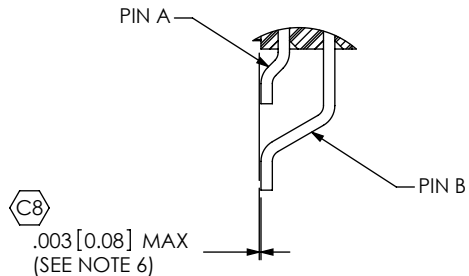


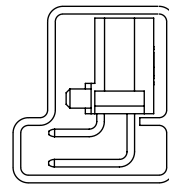
FIG. 3
-K: POLYAMIDE FILM PAD
(10 POSITION MIN)
(SAME AS FIG. 1, UNLESS OTHERWISE STATED)

NOTE:
FOR 15 THRU 30 POSITIONS, -K OPTION NOT NEEDED DUE TO LOCATION OF PLASTIC SHROUD



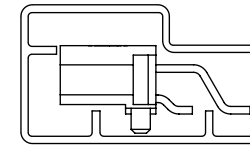
DETAIL 'A'
SCALE 3 : 1

PACKAGING VIEW
-RA OPTION



TUBE: PT-1-24-01-45
PLUG: TP-03

PACKAGING VIEW
-DH OPTION



TUBE: PT-1-24-05-17
PLUG: TP-07

NOTE:
ALL POSITIONS ARE TO BE TUBED.

PROPRIETARY NOTE

THIS DOCUMENT CONTAINS INFORMATION CONFIDENTIAL AND PROPRIETARY TO SAMTEC, INC. AND SHALL NOT BE REPRODUCED OR TRANSFERRED TO OTHER DOCUMENTS OR DISCLOSED TO OTHERS OR USED FOR ANY PURPOSE OTHER THAN THAT WHICH IT WAS OBTAINED WITHOUT THE EXPRESSED WRITTEN CONSENT OF SAMTEC, INC.

DO NOT SCALE DRAWING

SHEET SCALE: 2:1

samtec

520 PARK EAST BLVD, NEW ALBANY, IN 47150
PHONE: 812-944-6733 FAX: 812-948-5047
e-Mail: info@SAMTEC.com code: 55322

DESCRIPTION:
2mm HORIZONTAL MOUNT TERMINAL STRIP ASSEMBLY

DWG. NO. TSH-1XX-XX-XX-XX-XX

BY: KEVIN B 9/8/99 SHEET 2 OF 2