

SPECIFICATIONS

Mechanical

Durability: 10000 Cycles
Insertion Force: 2kg max.

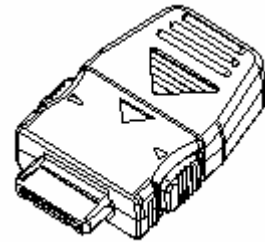
Electrical

Voltage Rating: 100VAC.
Current Rating: 1.0A
Contact Resistance: 50mΩ max.
Insulation Resistance: 100MΩ

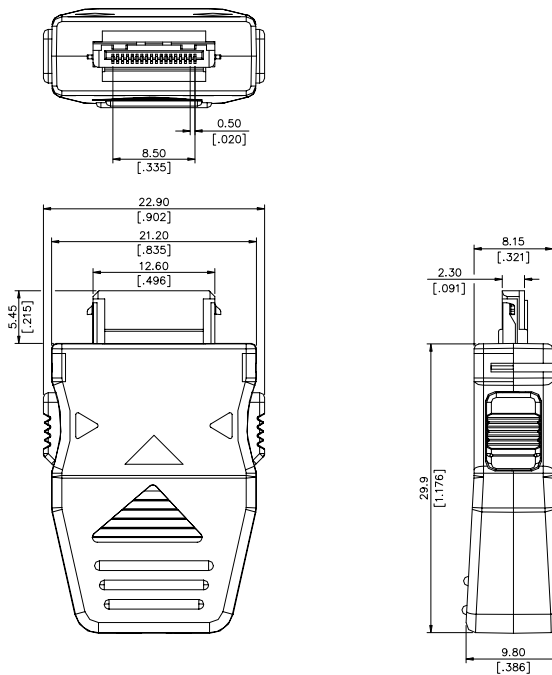
Physical

Housing: Thermoplastic, UL 94V-0 rated in Black Color
Contact: Copper alloy
Plating: See "ORDERING INFORMATION"
Spring Latch: Stainless steel
Top Cover/Bottom Cover: Thermoplastic, rated in Black Color
Tapping Screw: Stainless steel
Knob: Thermoplastic, rated in Gray
Operating Temperature: -40°C to +85°C

QS Series
Cable Plug
0.50mm [.020"] Pitch
18 Pos.



DRAWING



ORDERING INFORMATION

PRODUCT NO.: QS 2 0 18 7 - E01

