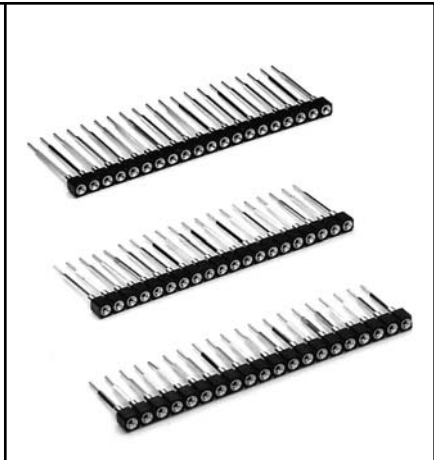
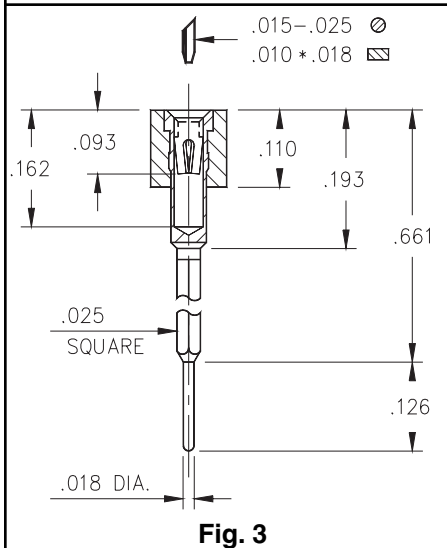
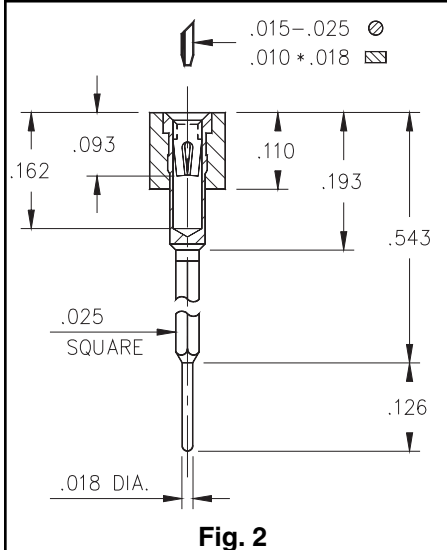


- Wrapost/solder tail combinations are available in 3 lengths using M-M pin numbers:
 - 326...001 uses pin # 2601
 - 326...002 uses pin # 2602
 - 326...003 uses pin # 2603
- Hi-Rel, 4-finger BeCu #30 clip rated at 3 amps. See page 208 for details.



Ordering Information

Fig. 1	Series 326...001	
	326-XX-1__-41-001	
	Specify # of pins	→ 01-64
Fig. 2	Series 326...002	
	326-XX-1__-41-002	
	Specify # of pins	→ 01-64
Fig. 3	Series 326...003	
	326-XX-1__-41-003	
	Specify # of pins	→ 01-64



XX= Plating Code
See Below

SPECIFY PLATING CODE XX=	13		93	
Sleeve (Pin)	10μ" Au		200μ" Sn/Pb	
Contact (Clip)	30μ" Au		30μ" Au	