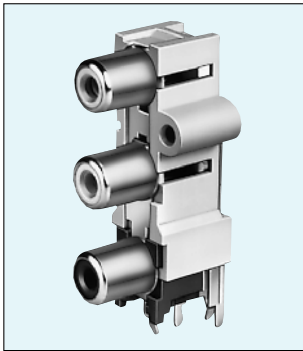


Horizontal Type Triple Pin Jacks Vertical Arrayal

Unit: mm

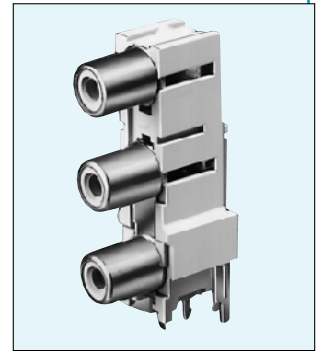
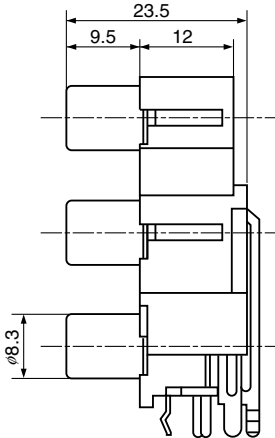
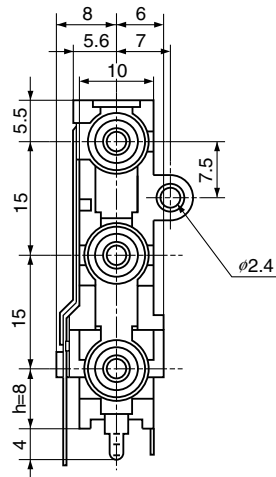
JPJ6411 / JPJ6111 Series

h = 8 mm



JPJ6411

With Installation Hole

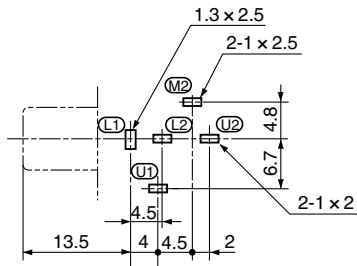


JPJ6111

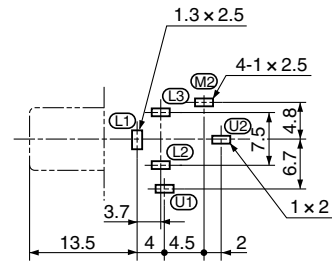
Without Installation Hole

Hole Layout (Bottom View)

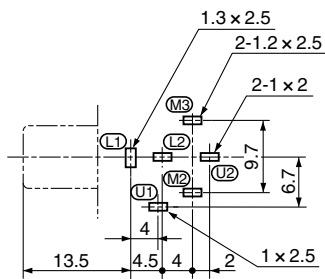
JPJ6411
JPJ6111



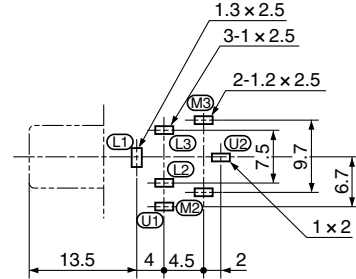
JPJ6412
JPJ6112



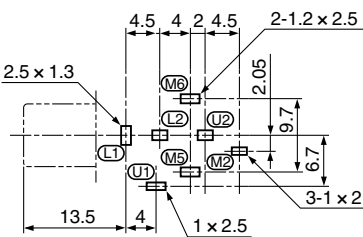
JPJ6421
JPJ6121



JPJ6422
JPJ6122



JPJ6441
JPJ6141



Model No. JPJ -01-

Installation Hole	6411	6412	6421	6422	6441
With	6411	6412	6421	6422	6441
Without	6111	6112	6121	6122	6141
Schematic					

Upper Pinjack Color U	Middle Pinjack (Housing) Color M	Lower Pinjack (Housing) Color L
1 Black	1 Black	1 Black
2 Red	2 Red	2 Red
3 White	3 White	3 White
4 Yellow	4 Yellow	4 Yellow
5 Blue	5 Blue	5 Blue

