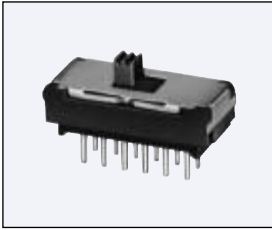
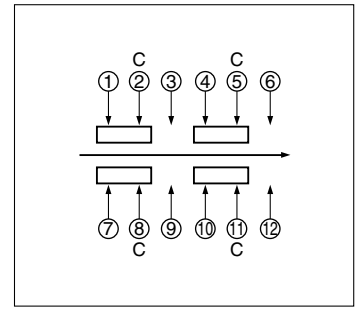
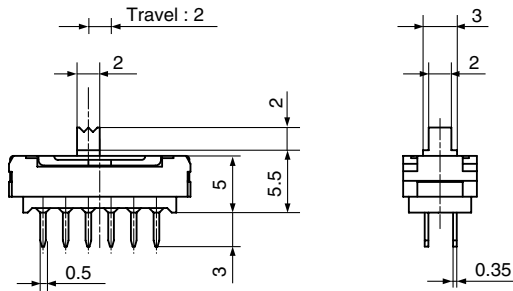
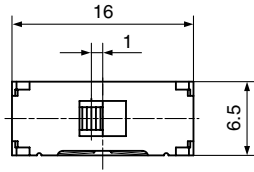


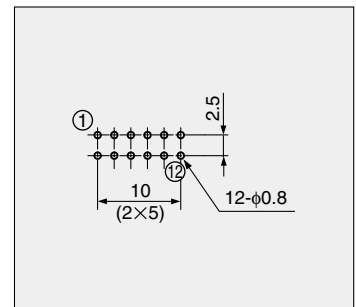
## HSW1034



HSW1034



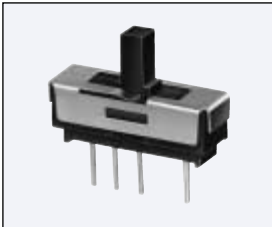
Circuit Diagram



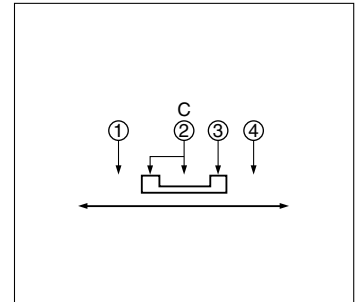
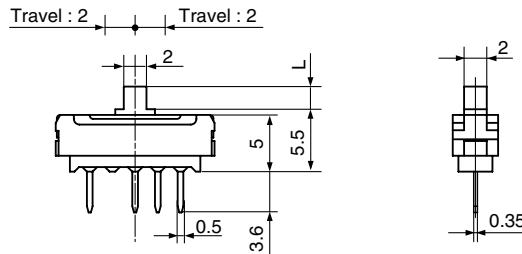
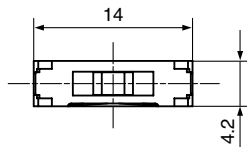
Hole Layout

Model No.	Pole-Position	Switching Mode	Terminals
HSW1034-01-300	4P-2T	Non-Shorting	Ag Plated
HSW1034-01-400	4P-2T	Non-Shorting	Au Plated

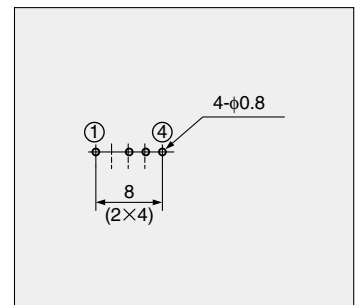
## HSW1025



HSW1025



Circuit Diagram



Hole Layout

Model No.	Pole-Position	Switching Mode	L (mm)
HSW1025-01-400	1P-3T	Not Specified	2
HSW1025-01-410	1P-3T	Not Specified	4