

Customer Information Sheet

DRAWING No.: D01-968XXXX

SHEET 2 OF 2

IF IN DOUBT - ASK

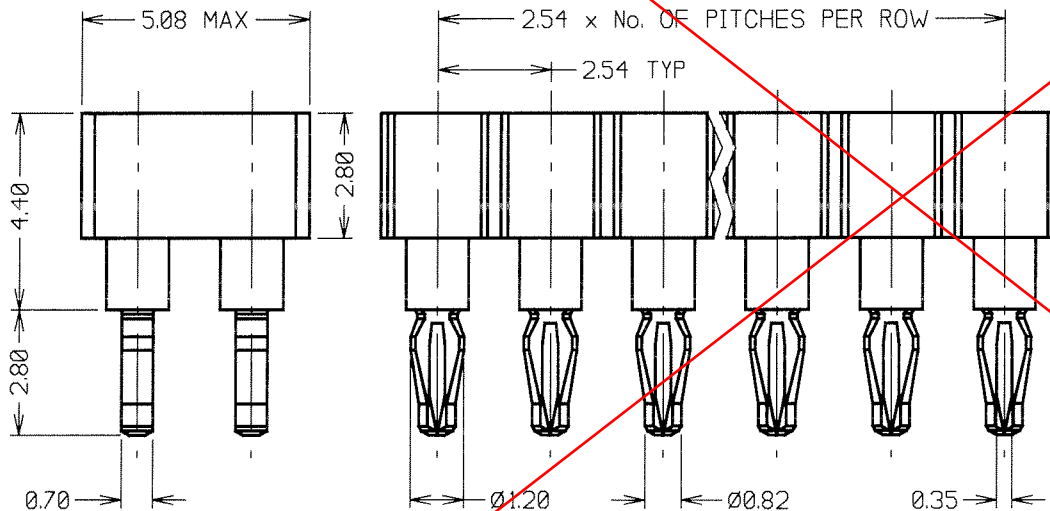
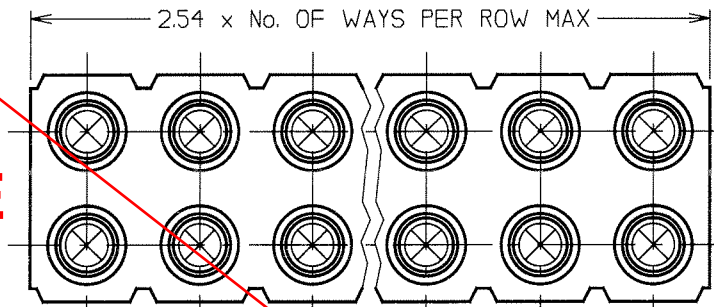
©

NOT TO SCALE

THIRD ANGLE PROJECTION

ALL DIMENSIONS IN mm

OBSOLETE



SPECIFICATIONS:

MATERIALS:

MOULDING = GLASS-FILLED POLYESTER,
BLACK, UL94V-0

CONTACT CLIP = BERYLLIUM COPPER

CONTACT SHELL = BRONZE

FINISH:

01 - CLIP = 0.25µ GOLD OVER 2-3µ NICKEL

SHELL = 5µ 90/10 TIN/LEAD OVER 2-3µ NICKEL

T6 - CLIP = 5µ 90/10 TIN/LEAD OVER 2-3µ NICKEL

SHELL = 5µ 90/10 TIN/LEAD OVER 2-3µ NICKEL

ELECTRICAL:

CURRENT RATING (PER CONTACT) = 1 AMP MAX

VOLTAGE RATING = 100V AC, 150V DC MAX

CONTACT RESISTANCE = 10 MILLIOHMS MAX

INSULATION RESISTANCE = 10,000 MEGOHMS MIN
AT 500V AC

DIELECTRIC STRENGTH = 1,000V AC MIN

ENVIRONMENTAL:

TEMPERATURE RANGE = -55°C TO +125°C

MECHANICAL:

DURABILITY = 500 OPERATIONS

INSERTION FORCE (Ø0.46mm GAUGE) = 1.8N

WITHDRAWAL FORCE (Ø0.46mm GAUGE) = 1.0N

INSERTION FORCE IN PCB = 200N MAX

RETENTION FORCE IN PCB (INITIAL) = 25N MIN

RETENTION FORCE IN PCB AFTER 3 INSERTIONS
= 12.5N MIN

ORDER CODE:

D01-968XXXX

No. OF WAYS PER ROW
02 TO 36

FINISH:

01 - GOLD CLIP, 90/10 TIN/LEAD SHELL

T6 - 90/10 TIN/LEAD CLIP AND SHELL

NOTES:

1. RECOMMENDED PLATED THROUGH HOLE SIZE = Ø1.09-0.94mm.
2. RECOMMENDED PC BOARD THICKNESS = 1.5 TO 2.0mm.
3. RECOMMENDED MATING PIN DIAMETER = Ø0.56-0.40mm.
4. MATING PIN LENGTH = 2.40mm MIN, 3.65mm MAX.

1	15.08.00	----
ISS.	DATE	C/NOTE
APPROVED:		
CHECKED:		
DRAWN: W. J. BOURNE		
CUSTOMER REF.:		
ASSEMBLY DRG:		

HARWIN

THIS DRAWING AND ANY INFORMATION OR DESCRIPTIVE MATTER SET OUT HEREON ARE CONFIDENTIAL AND COPYRIGHT PROPERTY OF THE HARWIN GROUP AND MUST NOT BE DISCLOSED, LOANED, COPIED OR USED FOR MANUFACTURING, TENDERING OR FOR ANY OTHER PURPOSE WITHOUT THEIR WRITTEN PERMISSION.

TOLERANCES

X. = ±1mm
X.X = ±0.25mm
X.XX = ±0.10mm
X.XXX = ±0.01mm
ANGLES = ±1°
UNLESS STATED

MATERIAL:

SEE ABOVE

FINISH:

SEE ABOVE

S/AREA:

mm²

TITLE: 2.54mm PITCH DIL
VERTICAL PRESS-FIT PC TAIL
FEMALE SOCKET ASSEMBLY

DRAWING NUMBER:

D01-968XXXX

SHT
2 OF 2

HARWIN INC
U.S.A.
TEL: (812) 285 0055
FAX: (812) 285 0056

HARWIN PLC
U.K.
TEL: 023 9237 0451
FAX: 023 9231 4590

HARWIN PTE
SINGAPORE
TEL: 65 7794909
FAX: 65 7793868