

B series

15A and 25A terminal posts

ELECTRICAL SPECIFICATIONS

- Dielectric strength :
15A type : 3.000 Vrms 50 Hz min. between shaft and panel
25A type : 4.000 Vrms 50 Hz min. between shaft and panel
- Short overload (< 2mn) : 50 % with cable lug

MATERIALS

- Shaft : brass, nickel plated
- Insulated nut : ABS molding over brass
- Other insulated parts : phenolic resin or melamine

GENERAL SPECIFICATIONS

- Terminal connection by :
 - plug Ø 4 mm (.157)
 - solder lug terminals,
 - wire lead
- Operating temperature : -40°C to +70°C

Dimensions : first dimensions are in mm while inches are shown as bracketted numbers.



Packaging unit : 100 pieces or multiple per type and colour.

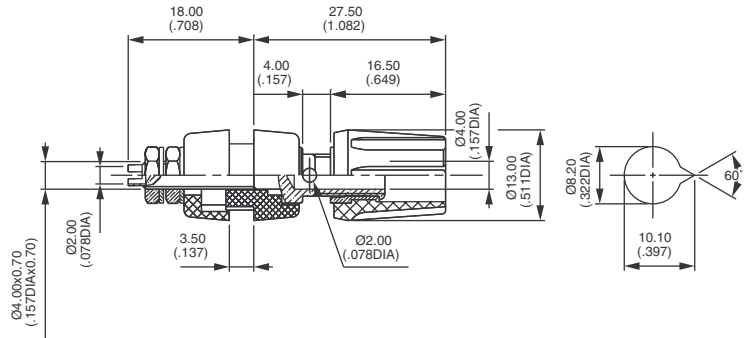
B series

15A and 25A terminal posts

Insulated terminal posts 15A



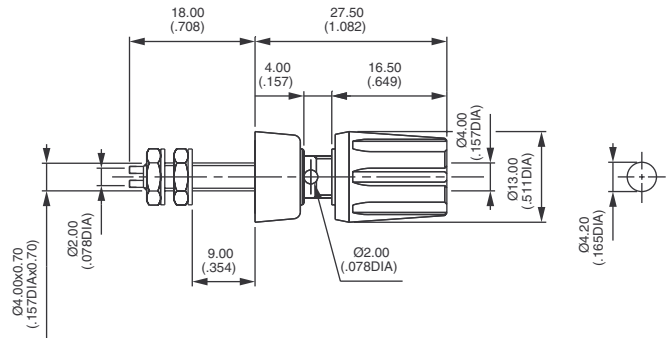
B1	Black
B11	Red
B12	Green
B13	Blue
B14	White
B15	Yellow
B16	Green / Yellow
B19	Orange



Non-insulated terminal posts 15A



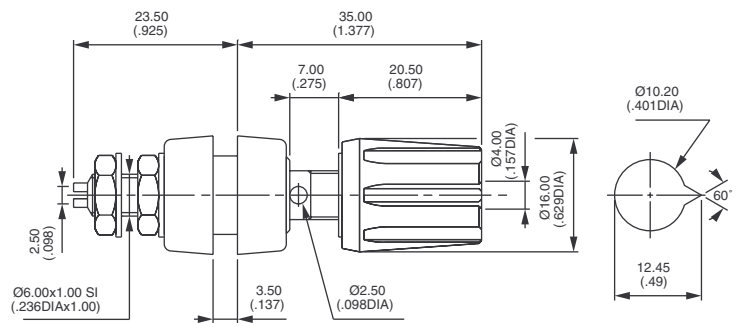
B2	Black
B21	Red
B22	Green
B23	Blue
B24	White
B25	Yellow
B26	Green / Yellow
B29	Orange



Insulated terminal posts 25A



B3	Black
B31	Red
B32	Green
B33	Blue
B34	White
B35	Yellow
B36	Green / Yellow
B39	Orange



Non-insulated terminal posts 25A



B4	Black
B41	Red
B42	Green
B43	Blue
B44	White
B45	Yellow
B46	Green / Yellow
B49	Orange

