

UNSHIELDED SMD POWER INDUCTOR

AISC-1812H



RoHS
Compliant



4.5 x 3.2 x 2.6mm

FEATURES:

- Excellent solderability and resistance
- Suitable for flow and reflow soldering
- Packed in embossed carrier tape and can be used by automatic mounting machines

APPLICATIONS:

- Excellent for power line DC/DC conversion applications
- Used in hard disk, notebook computer and other electronic equipment

STANDARD SPECIFICATIONS:

PARAMETERS

ABRACON P/N:	AISC-1812H-xxx Series
Operating temperature:	-25°C to + 85°C
Storage temperature:	-25°C to + 85°C, 70% RH max.

Part Number	Test Condition (V/Hz)	L (μH)	R _{dc} (mΩ) max.	I _r (mA) max.
AISC-1812H-1R0x	1.0 / 1.0M	1.0	70	1500
AISC-1812H-1R4x	1.0 / 1.0M	1.4	80	1400
AISC-1812H-1R8x	1.0 / 1.0M	1.8	100	1350
AISC-1812H-2R2x	1.0 / 1.0M	2.2	110	1300
AISC-1812H-2R7x	1.0 / 1.0M	2.7	120	1250
AISC-1812H-3R3x	1.0 / 1.0M	3.3	130	1200
AISC-1812H-3R9x	1.0 / 1.0M	3.9	150	1100
AISC-1812H-4R7x	1.0 / 1.0M	4.7	170	1000
AISC-1812H-5R6x	1.0 / 1.0M	5.6	200	900
AISC-1812H-6R8x	1.0 / 1.0M	6.8	250	800
AISC-1812H-8R2x	1.0 / 1.0M	8.2	280	700
AISC-1812H-100x	1.0 / 1.0M	10	350	600
AISC-1812H-120x	1.0 / 1.0M	12	450	500
AISC-1812H-150x	1.0 / 1.0M	15	550	450
AISC-1812H-180x	1.0 / 1.0M	18	600	400
AISC-1812H-220x	1.0 / 1.0M	22	650	350
AISC-1812H-270x	1.0 / 1.0M	27	700	330
AISC-1812H-330x	1.0 / 1.0M	33	1000	300
AISC-1812H-390x	1.0 / 1.0M	39	1100	300
AISC-1812H-470x	1.0 / 1.0M	47	1250	280
AISC-1812H-560x	1.0 / 1.0M	56	1500	250
AISC-1812H-680x	1.0 / 1.0M	68	2300	200
AISC-1812H-820x	1.0 / 1.0M	82	2500	180
AISC-1812H-101x	1.0 / 1.0M	100	3000	150
AISC-1812H-121x	1.0 / 1.0M	120	4000	130
AISC-1812H-151x	1.0 / 1.0M	150	4500	120
AISC-1812H-181x	1.0 / 1.0M	180	5000	110
AISC-1812H-221x	1.0 / 1.0M	220	6000	100
AISC-1812H-271x	1.0 / 1.0M	270	6500	100
AISC-1812H-331x	1.0 / 1.0M	330	7500	90
AISC-1812H-391x	1.0 / 1.0M	390	10000	76
AISC-1812H-471x	1.0 / 1.0K	470	14000	60
AISC-1812H-561x	1.0 / 1.0K	560	16000	56
AISC-1812H-681x	1.0 / 1.0K	680	17000	50
AISC-1812H-821x	1.0 / 1.0K	820	20000	40
AISC-1812H-102x	1.0 / 1.0K	1000	31000	22

OPTIONS & PART IDENTIFICATION:

(Left blank if standard)

AISC - 1812H - □□□ - □ - □

Inductance Code
Please refer to the Table

Tolerance Code	
J	±5%
K	±10%
M	±20%

Packaging	
T	Tape & Reel

I_r: Rated current that will cause initial inductance value to be an approximate 10% rolloff or an approximate 40°C temperature rise without core loss.

ABRACON IS
ISO 9001 / QS 9000
CERTIFIED



Visit www.abracon.com for Terms & Conditions of Sale **Revised: 08.24.07**
30332 Esperanza, Rancho Santa Margarita, California 92688
tel 949-546-8000 | fax 949-546-8001 | www.abracon.com

UNSHIELDED SMD POWER INDUCTOR

AISC-1812H

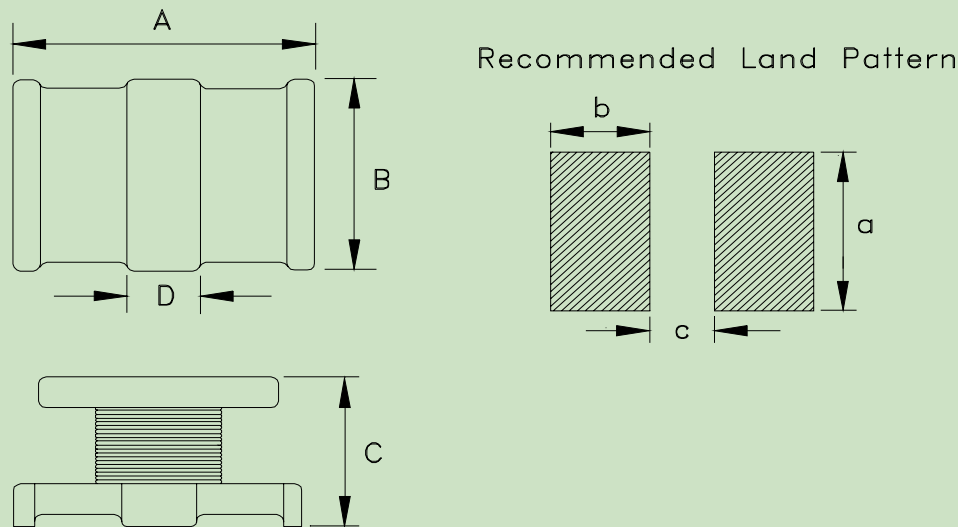


RoHS
Compliant



4.5 x 3.2 x 2.6mm

OUTLINE DRAWING:

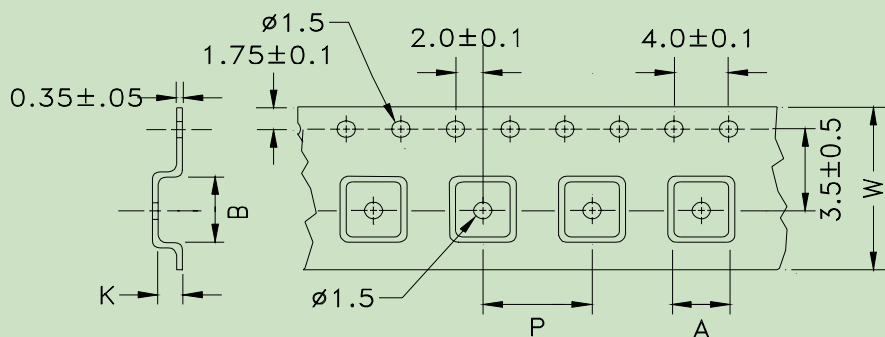


Series	A	B	C	D(ref)	a(ref)	b(ref)	c(ref)
AISC-1812H	0.177±0.012 (4.5 ±0.3)	0.126±0.012 (3.2 ±0.3)	0.102±0.012 (2.6 ±0.3)	0.079 (2.0)	0.039 (3.0)	0.118 (1.6)	0.039 (1.0)

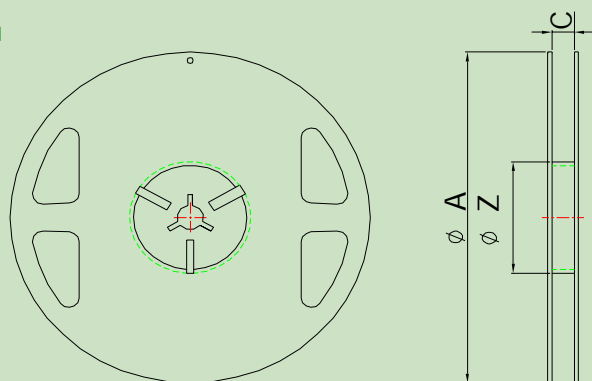
Dimensions: Inches
(mm)

TAPE & REEL: Tape and reel 2,000pcs/reel

Dimensions of Tape



Dimensions of Reel



series	A	C	Z
AISC-1812H	330-0.5	12.4+2.0	100±1.0

Dimensions: mm

ABRACON IS
ISO 9001 / QS 9000
CERTIFIED



Visit www.abracon.com for Terms & Conditions of Sale **Revised: 08.24.07**
30332 Esperanza, Rancho Santa Margarita, California 92688
tel 949-546-8000 | fax 949-546-8001 | www.abracon.com