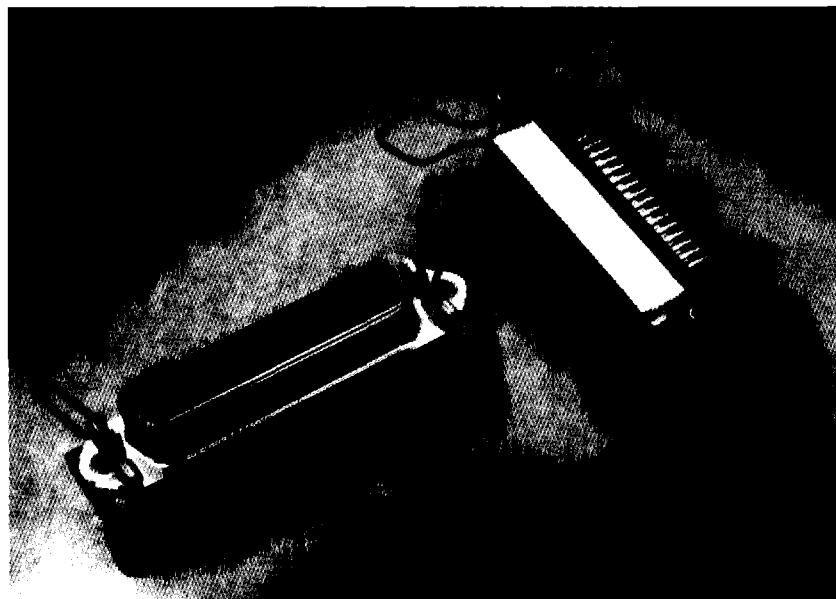


**MICRO-RIBBON RIGHT-ANGLE BOARD-MOUNT RECEPTACLE WITH FRONT METAL SHELL**



**benefits**

- Ribbon contacts are captivated in the connector housing to provide repeated mating and unmating without displacement of contacts.
- UL94V-O flammability rated material.
- Alternative plating for application flexibility.

**characteristics**

**Physical**

Contact spacing: .085" (2.16mm)  
 Number of contacts: 14, 24, 36, 50  
 Contact material: Copper alloy  
 Contact plating: Gold over nickel on mating area  
 Insulation material: Polyester resin (UL94V-O)  
 Front shell: Steel/nickel plating  
 Spring latch: Stainless steel

**Electrical**

Current rating: 3 amps per contact  
 Insulation resistance: 1000 megohms (min.) at 500V DC  
 Dielectric withstanding voltage: 1200 V AC (RMS) at sea level  
 Operating temperature range: -55°C to +105°C

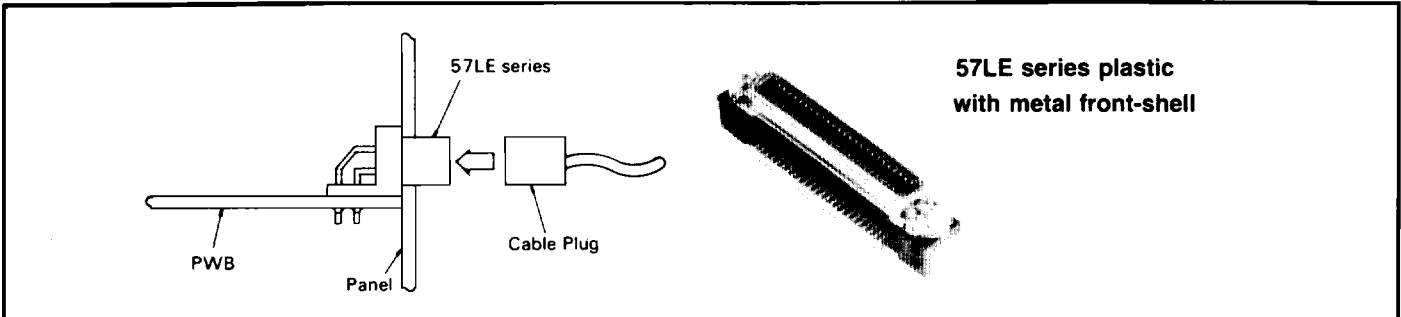
**description**

The Amphenol 842-57LE Micro-Ribbon series are right-angle PCB-mount input/output connectors used extensively in the instrumentation, printer, computer, LAN and telecom markets. The connector is available with various mounting and grounding options such as clear-through, board-locks and threaded mounting holes. The connector features a quick connect/disconnect spring latch for ease and speed when mating or unmating with an industry standard micro-ribbon plug. The connector is available in contact sizes of 14, 24, 36 and 50 positions.

**compatibility**

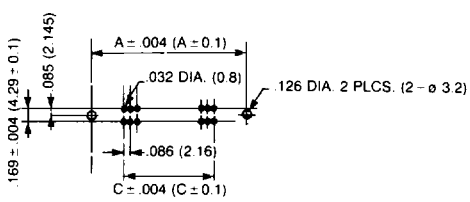
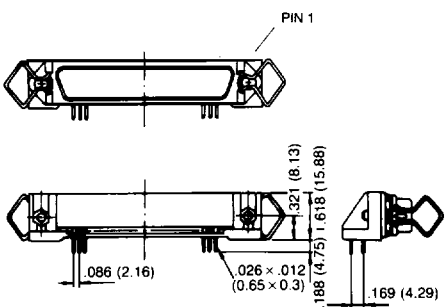
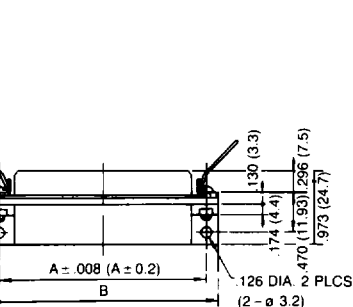
Amphenol 842-57LE series micro-ribbon connectors mate with all standard micro-ribbon connectors: Amphenol 850-57FE series, 850-57F series, 57 series and 157 series connectors.

**MICRO-RIBBON RIGHT-ANGLE BOARD-MOUNT RECEPTACLE WITH FRONT METAL SHELL**

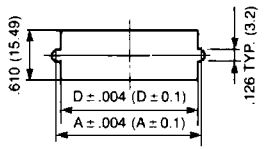


**dimensions and ordering information**

**recommended board layout**



**panel cutout**



No. of Contacts				Dimensions in Inches (mm)			
	4-40 threaded panel and board mounting	M3 thread board mounting	with boardlocks and 4-40 threaded panel mounting hole	A	B	C	D
14	842-57LE-40140-7700	842-57LE-40140-7700 (D12)	842-57LE-40140-7700 (D29)	1.42 (36.00)	1.73 (44.00)	0.510 (12.96)	1.40 (35.5)
24	842-57LE-40240-7700	842-57LE-40240-7700 (D12)	842-57LE-40240-7700 (D29)	1.84 (46.78)	2.16 (54.78)	0.935 (23.76)	1.82 (46.3)
36	842-57LE-40360-7700	842-57LE-40360-7700 (D12)	842-57LE-40360-7700 (D29)	2.35 (59.74)	2.67 (67.74)	1.446 (36.72)	2.33 (59.2)
50	842-57LE-40500-7700	842-57LE-40500-7700 (D12)	842-57LE-40500-7700 (D29)	2.95 (74.85)	3.26 (82.85)	2.041 (51.84)	2.93 (74.4)

Standard product has spring latches, no key, no cover, and a tail length of .188" (4.75mm). The contact area is plated with 15 microinches gold over nickel. The tail is tin lead plated. Contact the factory for other panel and board-mount options.

I/O Connectors