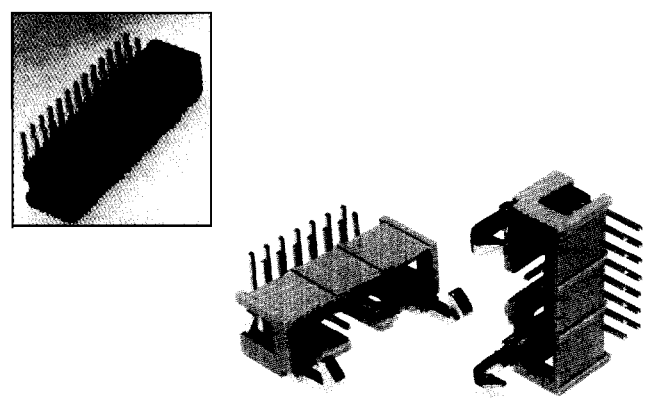


**LOW PROFILE BOX HEADERS**



**benefits**

- Low profile for high density applications
- Gold over nickel plating
- Right-angle or straight mounting

**characteristics**

**Physical**

Contact material: Phosphor bronze alloy  
 Contact plating: Gold over nickel; tin/lead tails  
 Housing material: UL 94V-O glass reinforced polyester, gray  
 Operating temperature range:  
 -55°C to +130°C  
 (-67°F to +266°F)  
 Humidity: 95% F.H. to 40°C non-condensating  
 Shock: 30 G's/11 milliseconds  
 Vibration: 10-2,000 Hz at 20 G's  
 Durability: 500 cycles  
 Contact retention: 7 lbs.  
 Recommended PCB hole layout:  
 Spacing: 0.100" ±0.003"  
 Diameter: 0.400" ±0.003"

**Electrical**

Current rating: 1 amp  
 Insulation resistance: 5000 megohms (min.) at 500 VDC  
 Dielectric withstanding voltage: 500 VDC at sea level

**description**

Amphenol 821 series low profile box headers provide a space-saving alternative to 816 protected headers.

These connectors are available without latches for applications that do not require multiple mating cycles, and with latches located in the back of the connector for applications that require multiple insertions and withdrawals.

821 series connectors are ideal for use in applications with space limitations, both board-to-board and side-to-side.

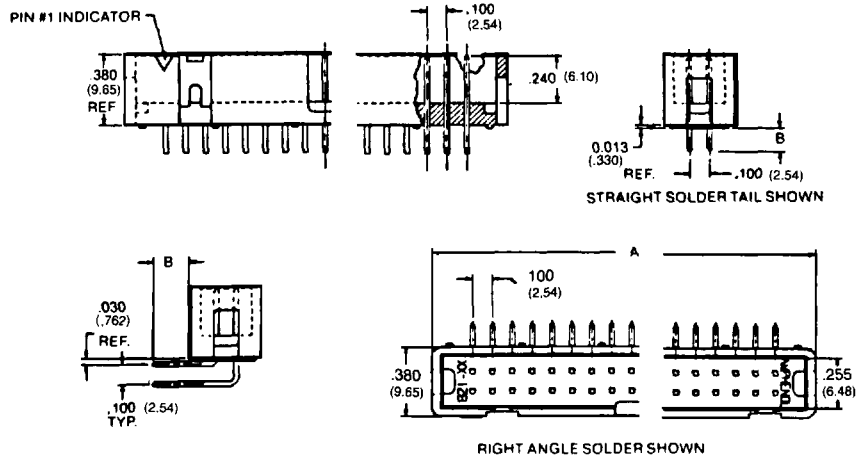
**compatibility**

Amphenol 821 series low profile box headers mate with Amphenol 812 series sockets.

See next page for dimensions and ordering information.

LOW PROFILE BOX HEADERS WITHOUT LATCHES

Standard Pitch  
Sockets & Headers



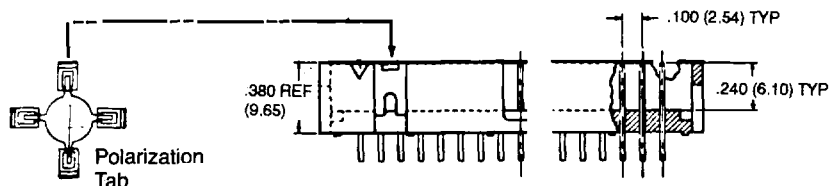
Contact Style	Contacts	Part Number	Dimensions in Inches (mm)		Contact Style	Contacts	Part Number	Dimensions in Inches (mm)	
			A	B				A	B
Short, straight solder tail	10 *	821-A010P-AFA00	0.790 (20.07)	.100 (2.54)	Short, right-angle solder tail	10 *	821-A010P-AFC00	0.790 (20.07)	.100 (2.54)
	14	821-A014P-AFA00	0.990 (25.15)	.100 (2.54)		14	821-A014P-AFC00	0.990 (25.15)	.100 (2.54)
	16	821-A016P-AFA00	1.090 (27.69)	.100 (2.54)		16	821-A016P-AFC00	1.090 (27.69)	.100 (2.54)
	20	821-A020P-AFA00	1.290 (32.77)	.100 (2.54)		20	821-A020P-AFC00	1.290 (32.77)	.100 (2.54)
	26	821-A026P-AFA00	1.590 (40.39)	.100 (2.54)		26	821-A026P-AFC00	1.590 (40.39)	.100 (2.54)
	30	821-A030P-AFA00	1.790 (45.47)	.100 (2.54)		30	821-A030P-AFC00	1.790 (45.47)	.100 (2.54)
	34	821-A034P-AFA00	1.990 (50.55)	.100 (2.54)		34	821-A034P-AFC00	1.990 (50.55)	.100 (2.54)
	36	821-A036P-AFA00	2.090 (53.09)	.100 (2.54)		36	821-A036P-AFC00	2.090 (53.09)	.100 (2.54)
	40	821-A040P-AFA00	2.290 (58.17)	.100 (2.54)		40	821-A040P-AFC00	2.290 (58.17)	.100 (2.54)
	50	821-A050P-AFA00	2.790 (70.87)	.100 (2.54)		50	821-A050P-AFC00	2.790 (70.87)	.100 (2.54)
	60	821-A060P-AFA00	3.290 (83.57)	.100 (2.54)		60	821-A060P-AFC00	3.290 (83.57)	.100 (2.54)
64	821-A064P-AFA00	3.490 (88.65)	.100 (2.54)	64	821-A064P-AFC00	3.490 (88.65)	.100 (2.54)		
Long, straight solder tail	10 *	821-A010P-AFB00	0.790 (20.07)	.160 (4.06)	Long, right-angle solder tail	10 *	821-A010P-AFD00	0.790 (20.07)	.160 (4.06)
	14	821-A014P-AFB00	0.990 (25.15)	.160 (4.06)		14	821-A014P-AFD00	0.990 (25.15)	.160 (4.06)
	16	821-A016P-AFB00	1.090 (27.69)	.160 (4.06)		16	821-A016P-AFD00	1.090 (27.69)	.160 (4.06)
	20	821-A020P-AFB00	1.290 (32.77)	.160 (4.06)		20	821-A020P-AFD00	1.290 (32.77)	.160 (4.06)
	26	821-A026P-AFB00	1.590 (40.39)	.160 (4.06)		26	821-A026P-AFD00	1.590 (40.39)	.160 (4.06)
	30	821-A030P-AFB00	1.790 (45.47)	.160 (4.06)		30	821-A030P-AFD00	1.790 (45.47)	.160 (4.06)
	34	821-A034P-AFB00	1.990 (50.55)	.160 (4.06)		34	821-A034P-AFD00	1.990 (50.55)	.160 (4.06)
	36	821-A036P-AFB00	2.090 (53.09)	.160 (4.06)		36	821-A036P-AFD00	2.090 (53.09)	.160 (4.06)
	40	821-A040P-AFB00	2.290 (58.17)	.160 (4.06)		40	821-A040P-AFD00	2.290 (58.17)	.160 (4.06)
	50	821-A050P-AFB00	2.790 (70.87)	.160 (4.06)		50	821-A050P-AFD00	2.790 (70.87)	.160 (4.06)
	60	821-A060P-AFB00	3.290 (83.57)	.160 (4.06)		60	821-A060P-AFD00	3.290 (83.57)	.160 (4.06)
64	821-A064P-AFB00	3.490 (88.65)	.160 (4.06)	64	821-A064P-AFD00	3.490 (88.65)	.160 (4.06)		

Standard product has 15 microinches gold plating on the contact area, tin on the solder tail.

Please contact the factory for plating options.

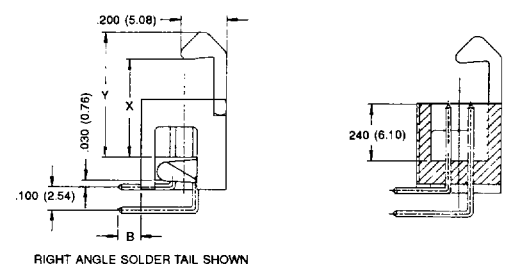
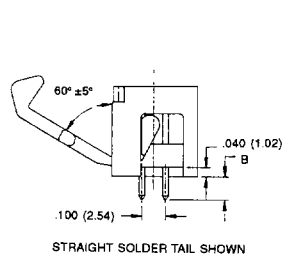
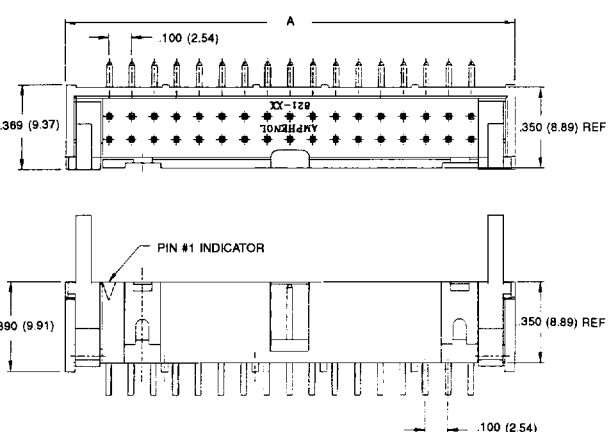
\*Polarization tabs are available for these headers. For 10 pin headers only, add "S" to the end of the part number to specify that the polarization slot is necessary. All other sizes include the slot.

**Polarization Tab**  
Part Number: 842-800-1611-003



LOW PROFILE BOX HEADERS WITH SHORT LATCHES

Standard Pitch  
Sockets & Headers



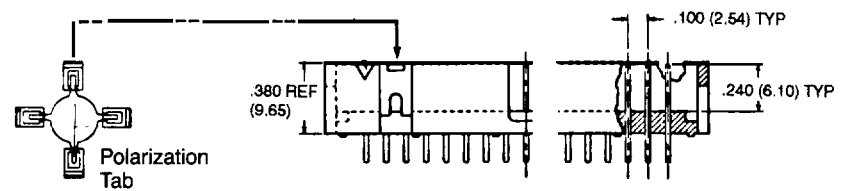
Latch Type	Dimensions in Inches (mm)	
	X (±.010)	Y (±.010)
Short Latch	0.425 (10.80)	0.547 (13.89)

Contact Style	Contacts	Part Number	Dimensions in Inches (mm)		Contact Style	Contacts	Part Number	Dimensions in Inches (mm)	
			A	B				A	B
Short, straight solder tail	10 *	821-A010P-AFA10	0.790 (20.07)	.100 (2.54)	Short, right-angle solder tail	10 *	821-A010P-AFC10	0.790 (20.07)	.100 (2.54)
	14	821-A014P-AFA10	0.990 (25.15)	.100 (2.54)		14	821-A014P-AFC10	0.990 (25.15)	.100 (2.54)
	16	821-A016P-AFA10	1.090 (27.69)	.100 (2.54)		16	821-A016P-AFC10	1.090 (27.69)	.100 (2.54)
	20	821-A020P-AFA10	1.290 (32.77)	.100 (2.54)		20	821-A020P-AFC10	1.290 (32.77)	.100 (2.54)
	26	821-A026P-AFA10	1.590 (40.39)	.100 (2.54)		26	821-A026P-AFC10	1.590 (40.39)	.100 (2.54)
	30	821-A030P-AFA10	1.790 (45.47)	.100 (2.54)		30	821-A030P-AFC10	1.790 (45.47)	.100 (2.54)
	34	821-A034P-AFA10	1.990 (50.55)	.100 (2.54)		34	821-A034P-AFC10	1.990 (50.55)	.100 (2.54)
	36	821-A036P-AFA10	2.090 (53.09)	.100 (2.54)		36	821-A036P-AFC10	2.090 (53.09)	.100 (2.54)
	40	821-A040P-AFA10	2.290 (58.17)	.100 (2.54)		40	821-A040P-AFC10	2.290 (58.17)	.100 (2.54)
	50	821-A050P-AFA10	2.790 (70.87)	.100 (2.54)		50	821-A050P-AFC10	2.790 (70.87)	.100 (2.54)
Long, straight solder tail	60	821-A060P-AFA10	3.290 (83.57)	.100 (2.54)	60	821-A060P-AFC10	3.290 (83.57)	.100 (2.54)	
	64	821-A064P-AFA10	3.490 (88.65)	.100 (2.54)	64	821-A064P-AFC10	3.490 (88.65)	.100 (2.54)	
	10 *	821-A010P-AFB10	0.790 (20.07)	.160 (4.06)	Long, right-angle solder tail	10 *	821-A010P-AFD10	0.790 (20.07)	.160 (4.06)
	14	821-A014P-AFB10	0.990 (25.15)	.160 (4.06)		14	821-A014P-AFD10	0.990 (25.15)	.160 (4.06)
	16	821-A016P-AFB10	1.090 (27.69)	.160 (4.06)		16	821-A016P-AFD10	1.090 (27.69)	.160 (4.06)
	20	821-A020P-AFB10	1.290 (32.77)	.160 (4.06)		20	821-A020P-AFD10	1.290 (32.77)	.160 (4.06)
	26	821-A026P-AFB10	1.590 (40.39)	.160 (4.06)		26	821-A026P-AFD10	1.590 (40.39)	.160 (4.06)
	30	821-A030P-AFB10	1.790 (45.47)	.160 (4.06)		30	821-A030P-AFD10	1.790 (45.47)	.160 (4.06)
	34	821-A034P-AFB10	1.990 (50.55)	.160 (4.06)		34	821-A034P-AFD10	1.990 (50.55)	.160 (4.06)
	36	821-A036P-AFB10	2.090 (53.09)	.160 (4.06)		36	821-A036P-AFD10	2.090 (53.09)	.160 (4.06)
40	821-A040P-AFB10	2.290 (58.17)	.160 (4.06)	40		821-A040P-AFD10	2.290 (58.17)	.160 (4.06)	
50	821-A050P-AFB10	2.790 (70.87)	.160 (4.06)	50		821-A050P-AFD10	2.790 (70.87)	.160 (4.06)	
60	821-A060P-AFB10	3.290 (83.57)	.160 (4.06)	60	821-A060P-AFD10	3.290 (83.57)	.160 (4.06)		
64	821-A064P-AFB10	3.490 (88.65)	.160 (4.06)	64	821-A064P-AFD10	3.490 (88.65)	.160 (4.06)		

Standard product has 15 microinches gold plating on the contact area, tin on the solder tail. Please contact the factory for plating options.

\*Polarization tabs are available for these headers. For 10 pin headers only, add "S" to the end of the part number to specify that the polarization slot is necessary. All other sizes include the slot.

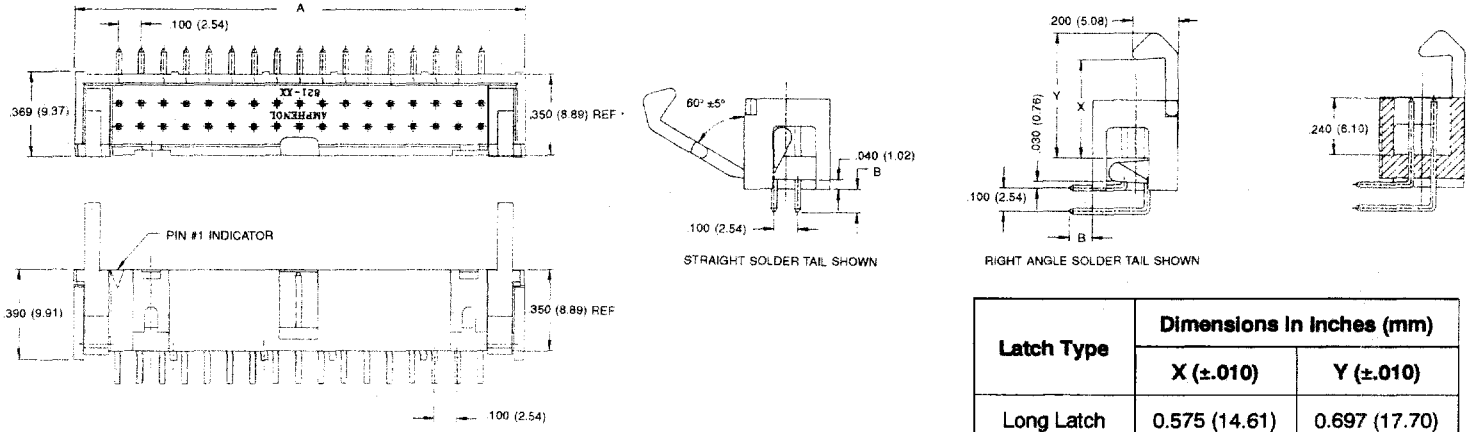
**Polarization Tab**  
Part Number: 842-800-1611-003



LOW PROFILE BOX HEADERS WITH LONG LATCHES

dimensions and ordering information

Standard Pitch  
Sockets & Headers



Latch Type	Dimensions in Inches (mm)	
	X (±.010)	Y (±.010)
Long Latch	0.575 (14.61)	0.697 (17.70)

Contact Style	Contacts	Part Number	Dimensions in Inches (mm)			Contacts	Part Number	Dimensions in Inches (mm)	
			A	B				A	B
Short, straight solder tail	10 *	821-A010P-AFA20	0.790 (20.07)	.100 (2.54)	Short, right-angle solder tail	10 *	821-A010P-AFC20	0.790 (20.07)	.100 (2.54)
	14	821-A014P-AFA20	0.990 (25.15)	.100 (2.54)		14	821-A014P-AFC20	0.990 (25.15)	.100 (2.54)
	16	821-A016P-AFA20	1.090 (27.69)	.100 (2.54)		16	821-A016P-AFC20	1.090 (27.69)	.100 (2.54)
	20	821-A020P-AFA20	1.290 (32.77)	.100 (2.54)		20	821-A020P-AFC20	1.290 (32.77)	.100 (2.54)
	26	821-A026P-AFA20	1.590 (40.39)	.100 (2.54)		26	821-A026P-AFC20	1.590 (40.39)	.100 (2.54)
	30	821-A030P-AFA20	1.790 (45.47)	.100 (2.54)		30	821-A030P-AFC20	1.790 (45.47)	.100 (2.54)
	34	821-A034P-AFA20	1.990 (50.55)	.100 (2.54)		34	821-A034P-AFC20	1.990 (50.55)	.100 (2.54)
	36	821-A036P-AFA20	2.090 (53.09)	.100 (2.54)		36	821-A036P-AFC20	2.090 (53.09)	.100 (2.54)
	40	821-A040P-AFA20	2.290 (58.17)	.100 (2.54)		40	821-A040P-AFC20	2.290 (58.17)	.100 (2.54)
	50	821-A050P-AFA20	2.790 (70.87)	.100 (2.54)		50	821-A050P-AFC20	2.790 (70.87)	.100 (2.54)
Long, straight solder tail	60	821-A060P-AFA20	3.290 (83.57)	.100 (2.54)	60	821-A060P-AFC20	3.290 (83.57)	.100 (2.54)	
	64	821-A064P-AFA20	3.490 (88.65)	.100 (2.54)	64	821-A064P-AFC20	3.490 (88.65)	.100 (2.54)	
	10 *	821-A010P-AFB20	0.790 (20.07)	.160 (4.06)	Long, right-angle solder tail	10 *	821-A010P-AFD20	0.790 (20.07)	.160 (4.06)
	14	821-A014P-AFB20	0.990 (25.15)	.160 (4.06)		14	821-A014P-AFD20	0.990 (25.15)	.160 (4.06)
	16	821-A016P-AFB20	1.090 (27.69)	.160 (4.06)		16	821-A016P-AFD20	1.090 (27.69)	.160 (4.06)
	20	821-A020P-AFB20	1.290 (32.77)	.160 (4.06)		20	821-A020P-AFD20	1.290 (32.77)	.160 (4.06)
	26	821-A026P-AFB20	1.590 (40.39)	.160 (4.06)		26	821-A026P-AFD20	1.590 (40.39)	.160 (4.06)
	30	821-A030P-AFB20	1.790 (45.47)	.160 (4.06)		30	821-A030P-AFD20	1.790 (45.47)	.160 (4.06)
	34	821-A034P-AFB20	1.990 (50.55)	.160 (4.06)		34	821-A034P-AFD20	1.990 (50.55)	.160 (4.06)
	36	821-A036P-AFB20	2.090 (53.09)	.160 (4.06)		36	821-A036P-AFD20	2.090 (53.09)	.160 (4.06)
40	821-A040P-AFB20	2.290 (58.17)	.160 (4.06)	40		821-A040P-AFD20	2.290 (58.17)	.160 (4.06)	
50	821-A050P-AFB20	2.790 (70.87)	.160 (4.06)	50		821-A050P-AFD20	2.790 (70.87)	.160 (4.06)	
60	821-A060P-AFB20	3.290 (83.57)	.160 (4.06)	60	821-A060P-AFD20	3.290 (83.57)	.160 (4.06)		
64	821-A064P-AFB20	3.490 (88.65)	.160 (4.06)	64	821-A064P-AFD20	3.490 (88.65)	.160 (4.06)		

Standard product has 15 microinches gold plating on the contact area, tin on the solder tail. Please contact the factory for other plating options.

\*Polarization tabs are available for these headers. For 10 pin headers only, add "S" to the end of the part number to specify that the polarization slot is necessary. All other sizes include the slot.

**Polarization Tab**  
Part Number: 842-800-1611-003

