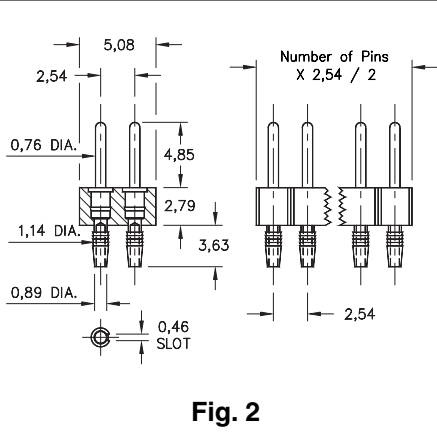
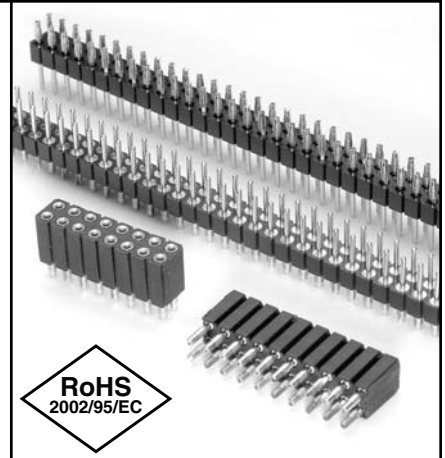


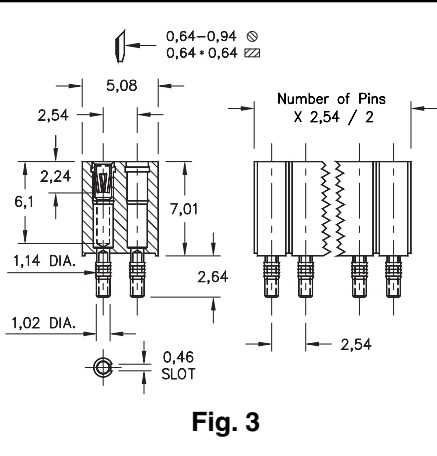
- The unique compliant tail pins conform to 1,02±0,76 finished hole without stressing inner layers. Patent No. 4,799,904
- Series 802 pin headers are offered in two tail lengths for 1,52 - 2,54 (MM #5601) and 2,29 - 3,3 (MM #5602) thick panels. See page 187 for details.
- Series 803 sockets MM #4614 or #4615 use Hi-Rel, 6-finger BeCu #47 contacts rated at 4.5 amps. Receptacles accept 0,76 diameter pins & 0,64 square pins. See page 221 for details.
- Insulators are high temp. thermoplastic.



**Ordering Information**

<b>Fig. 1</b>	<b>Compliant Tail Pin Header for 1,52 - 2,54 thick boards</b>
	802-XX-0 __ -61-001000 Specify # of pins → 02-64

<b>Fig. 2</b>	<b>Compliant Tail Pin Header for 2,29 - 3,3 thick boards</b>
	802-XX-0 __ -62-001000 Specify # of pins → 02-64

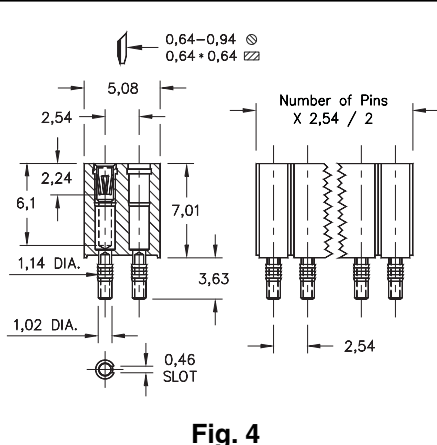


For Electrical, Mechanical & Environmental Data, See pg. 4
XX=Plating Code See Below
For RoHS compliance select ◇ plating code.

SPECIFY PLATING CODE XX=	10 ◇	90	40 ◇	
Pin Plating	0,25µm Au	5,08µm Sn/Pb	5,08µm Sn	

<b>Fig. 3</b>	<b>Compliant Tail Socket for 1,52 - 2,54 thick boards</b>
	803-XX-__ -61-001000 Specify # of pins → 002-100

<b>Fig. 4</b>	<b>Compliant Tail Socket for 2,29 - 3,3 thick boards</b>
	803-XX-__ -62-001000 Specify # of pins → 002-100



For Electrical, Mechanical & Environmental Data, See pg. 4
XX=Plating Code See Below
For RoHS compliance select ◇ plating code.

SPECIFY PLATING CODE XX=		93	99	43 ◇	
Sleeve (Pin)		5,08µm Sn/Pb	5,08µm Sn/Pb	5,08µm Sn	
Contact (Clip)		0,76µm Au	5,08µm Sn/Pb	0,76µm Au	