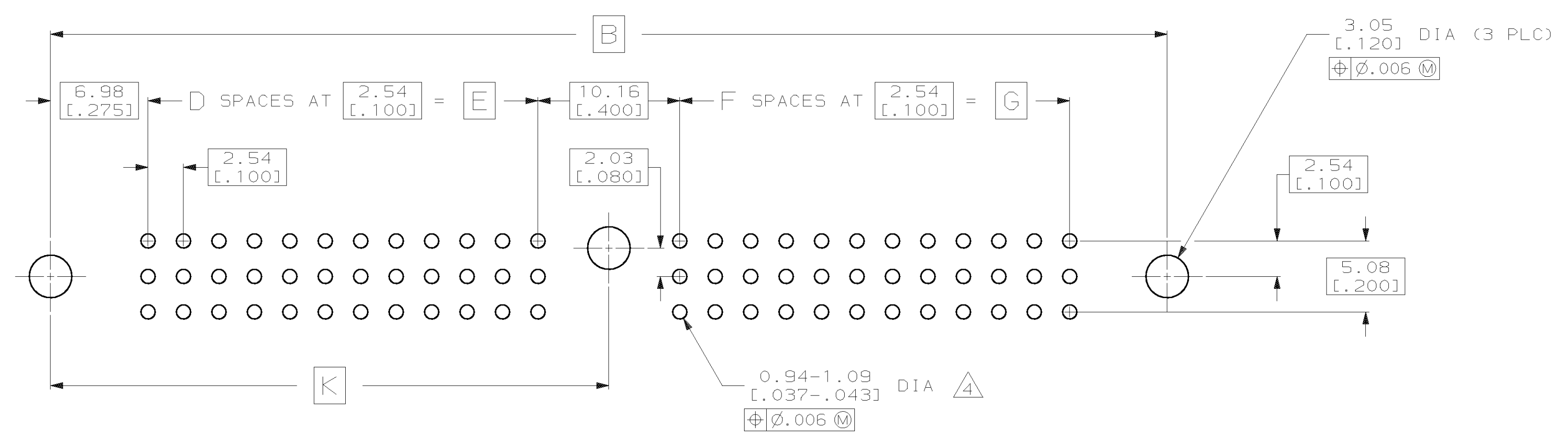
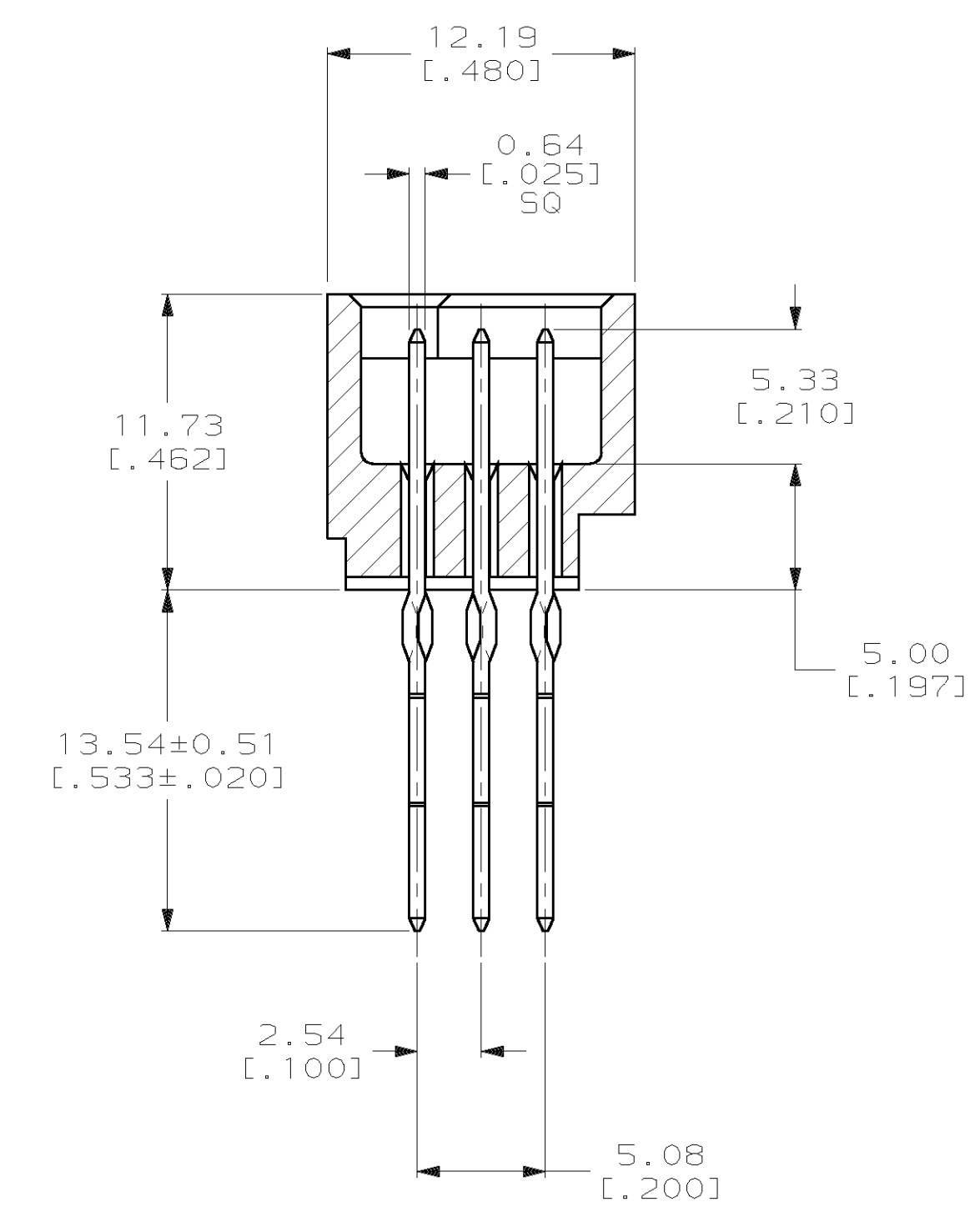
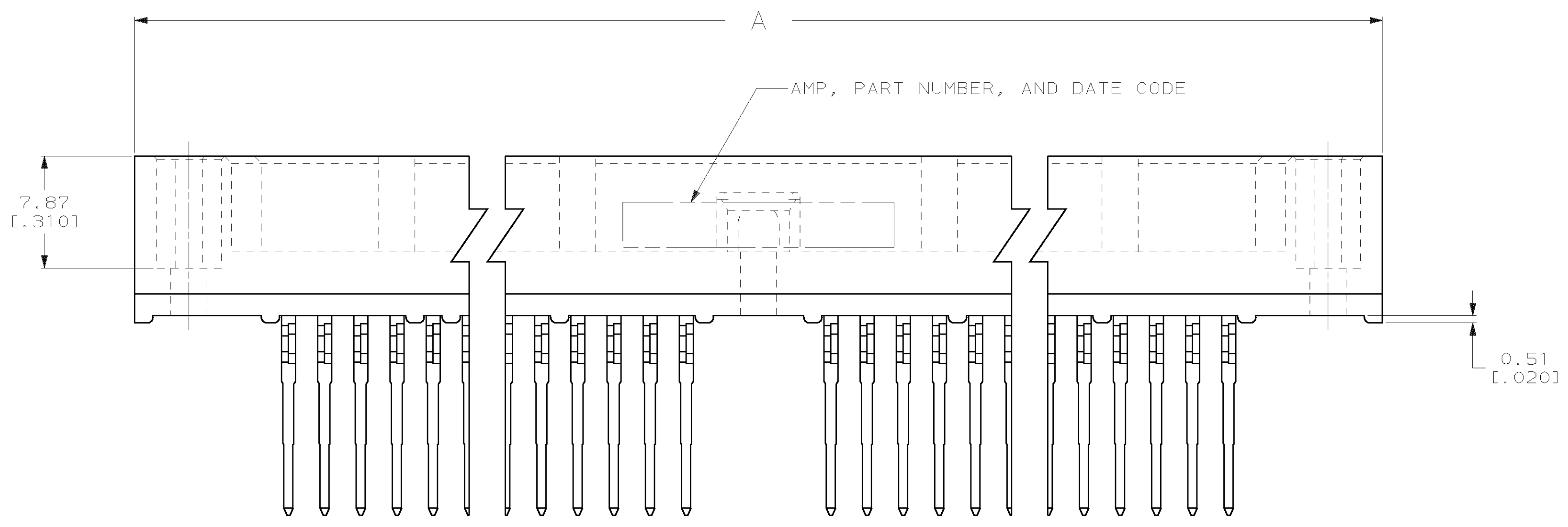
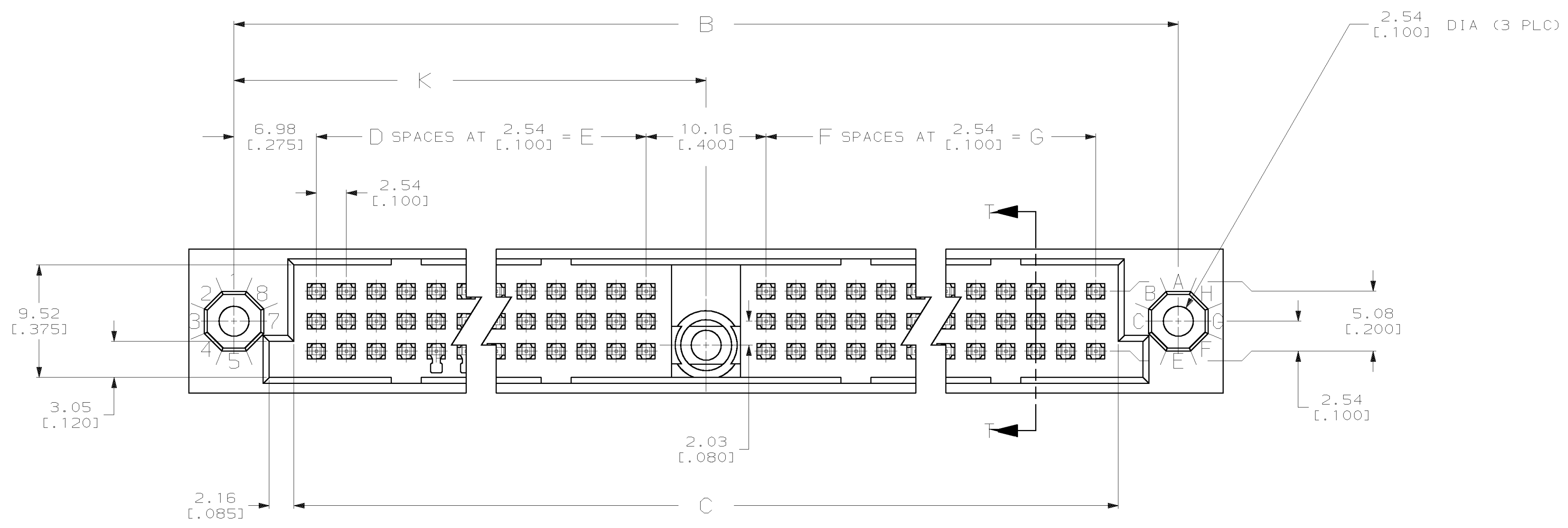


LOC		DIST		REVISIONS				
AD	00	P	F	ZONE	LTR	DESCRIPTION	DATE	APPD
				D		ECN AD4218	04/12/90	RKS
				E		ECN AD5188	02/11/91	DLH
				F		REVISED PER ECN 0010-0841-93 T.S.	2-1-94	GS
				G		REVISED PER ECN 0010-1756-93 T.S.	2-1-94	GS
				H		ECN. 0010-0504-94 TH	3/31/94	GES
				J		PER EC 0328-96 T.S.	5-20-96	JR
				K		REV PER EC 0512-0458-02	20 MAR 03	WM




DO NOT SCALE PRINT. UNLESS SPECIFIED DIMENSIONS IN mm [INCHES]		DR 04/12/90 R.K. SEIFRIED		PART NO	
TOLERANCES ON:		CHK 1-31-94 G. SKIPPER	AMP AMP Incorporated Harrisburg, PA 17105-3608		
2 PLC DEC ±		APPD 1-31-94 G. SKIPPER			
3 PLC DEC ± 0.13 [.005]		APPD 1-31-94 G. SKIPPER	NAME HDI, 3 ROW, PIN ASSEMBLY, ONE CENTER GUIDE PIN, 13.54 [.533] LONG ACTION PINS, .00076 [.000030] GOLD PLATE		
ANGLES ±		PRODUCT SPEC			
FINISH		APPLICATION SPEC	SIZE	CAGE CODE	DRAWING NO
3		-	D	00779	533513
WEIGHT		-	SCALE	4:1	SHEET 1 OF 2

LOC	DIST	P	F	ZONE	LTR	DESCRIPTION	DATE	APPD
AD	00					K SEE SHEET 1	-	-

- ① HOUSING MATERIAL: THERMOPLASTIC, COLOR-NATURAL.
- ② CONTACT MATERIAL: PHOSPHOR BRONZE.
- ③ CONTACT FINISH: .00127-.00254 [.000050-.000100] NICKEL UNDERPLATE ALL OVER; .00076 [.000030] GOLD PLATE IN CONTACT AREA, TIN-LEAD PLATED POSTS.
- ④ ACTION PIN POSTS REQUIRE 2.36 [.093] MIN THICK P.C. BOARD. RECOMMENDED P.C. BOARD HOLES ARE 1.151 [.0453] DIA PLATED THRU WITH 0.025-0.076 [.001-.003] COPPER, WITH 0.0076 [.0003] MIN TIN-LEAD PLATING; FINISHED HOLE AFTER PLATING 0.94-1.09 [.037-0.43] DIA; AFTER RELOW 0.91-1.09 [.036-.043].
- 5. DIMENSIONS IN BRACKETS ARE IN INCHES.
- ⑥ PART NUMBER IS OBSOLETE.

⑥	164.46 [6.475]	152.40 [6.000]	-60	152.40 [6.000]	-60	318.77 [12.550]	328.93 [12.950]	336.55 [13.250]	-366	533513-8
⑥	156.84 [6.175]	144.78 [5.700]	-57	144.78 [5.700]	-57	303.53 [11.950]	313.69 [12.350]	321.31 [12.650]	-348	533513-7
⑥	149.22 [5.875]	137.16 [5.400]	-54	137.16 [5.400]	-54	288.29 [11.350]	298.45 [11.750]	306.07 [12.050]	-330	533513-6
	141.60 [5.575]	129.54 [5.100]	51	129.54 [5.100]	51	273.05 [10.750]	283.21 [11.150]	290.83 [11.450]	312	533513-5
⑥	133.98 [5.275]	121.92 [4.800]	-48	121.92 [4.800]	-48	257.81 [10.150]	267.97 [10.550]	275.59 [10.850]	-294	533513-4
⑥	126.36 [4.975]	114.30 [4.500]	-45	114.30 [4.500]	-45	242.57 [9.550]	252.73 [9.950]	260.35 [10.250]	-276	533513-3
⑥	118.74 [4.675]	106.68 [4.200]	-42	106.68 [4.200]	-42	227.33 [8.950]	237.49 [9.350]	245.11 [9.650]	-258	533513-2
	111.12 [4.375]	99.06 [3.900]	39	99.06 [3.900]	39	212.09 [8.350]	222.25 [8.750]	229.87 [9.050]	240	533513-1
	K	G	F	E	D	C	B	A	POSN	PART NUMBER

DO NOT SCALE PRINT. UNLESS SPECIFIED DIMENSIONS IN mm [INCHES] TOLERANCES ON:		DR 04/12/90 R.K. SEIFRIED		 AMP Incorporated Harrisburg, PA 17105-3608	
2 PLC DEC ± 0.13 [.005]		CHK 1-31-94 G. SKIPPER			
ANGLES ± -		APPD 1-31-94 G. SKIPPER		NAME HDI, 3 ROW, PIN ASSEMBLY, ONE CENTER GUIDE PIN, 13.54 [.533] LONG ACTION PINS, .00076 [.000030] GOLD PLATE	
MATERIAL		APPD 1-31-94 G. SKIPPER		PRODUCT SPEC -	
FINISH		APPLICATION SPEC -		SIZE D	CAGE CODE 00779
		WEIGHT -		DRAWING NO 533513	SHEET 2 OF 2
				SCALE 4:1	