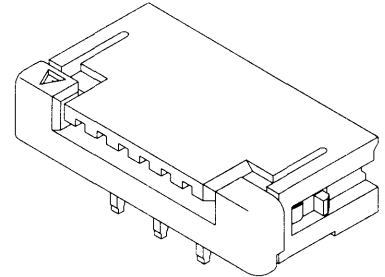


molex® 1.00mm (.039") Pitch FFC/FPC Connector

52089 Right Angle, Low Profile ZIF, Top Contact Style



FEATURES AND SPECIFICATIONS

Features and Benefits

- Sizes 4 to 30 circuits
- For 0.30mm thick FFC/FPC
- Kinked outer solder tails for PCB retention

Reference Information

Packaging: Tray
Designed In: Millimeters

Electrical

Voltage: 50V
Current: 0.5A
Contact Resistance: 20mΩ max.
Dielectric Withstanding Voltage: 500V AC/1 min.
Insulation Resistance: 100 MΩ min.

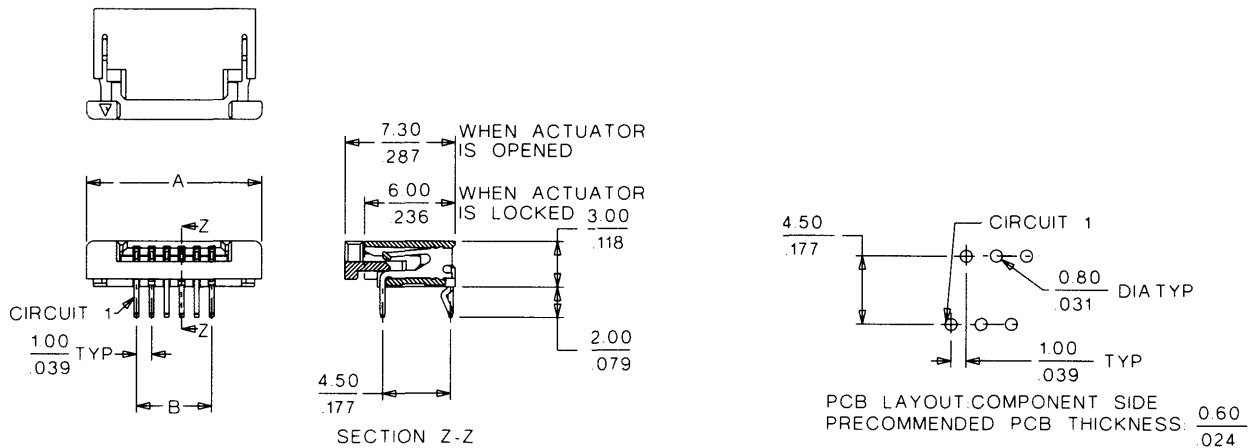
Physical

Housing: 6/6 nylon, UL 94V-0
Actuator: PBTP, UL 94V-0
Contact: Phosphor Bronze
Plating: Tin
Operating Temperature: -20 to +80°C

FFC/FPC Connectors

G

CATALOG DRAWING (FOR REFERENCE ONLY)



ORDERING INFORMATION AND DIMENSIONS

Circuits	Order No.	Dimension	
		A	B
4	52089-0410	9.60 (.377)	3.00 (.118)
5	52089-0510	10.60 (.417)	4.00 (.157)
6	52089-0610	11.60 (.456)	5.00 (.196)
7	52089-0710	12.60 (.496)	6.00 (.236)
8	52089-0810	13.60 (.535)	7.00 (.275)
9	52089-0910	14.60 (.574)	8.00 (.314)
10	52089-1010	15.60 (.614)	9.00 (.354)
11	52089-1110	16.60 (.653)	10.00 (.393)
12	52089-1210	17.60 (.692)	11.00 (.433)
13	52089-1310	18.60 (.732)	12.00 (.472)
14	52089-1410	19.60 (.771)	13.00 (.511)
15	52089-1510	20.60 (.811)	14.00 (.551)
16	52089-1610	21.60 (.850)	15.00 (.590)
17	52089-1710	22.60 (.889)	16.00 (.629)

Circuits	Order No.	Dimension	
		A	B
18	52089-1810	23.60 (.929)	17.00 (.669)
19	52089-1910	24.60 (.968)	18.00 (.708)
20	52089-2010	25.60 (1.007)	19.00 (.748)
21	52089-2110	26.60 (1.047)	20.00 (.787)
22	52089-2210	27.60 (1.068)	21.00 (.826)
23	52089-2310	28.60 (1.125)	22.00 (.866)
24	52089-2410	29.60 (1.165)	23.00 (.905)
25	52089-2510	30.60 (1.204)	24.00 (.944)
26	52089-2610	31.60 (1.244)	25.00 (.984)
27	52089-2710	32.60 (1.283)	26.00 (1.023)
28	52089-2810	33.60 (1.322)	27.00 (1.062)
29	52089-2910	34.60 (1.362)	28.00 (1.102)
30	52089-3010	35.60 (1.401)	29.00 (1.141)

Note: For cable specification dimensions, see cable pages at end of section