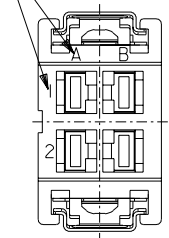
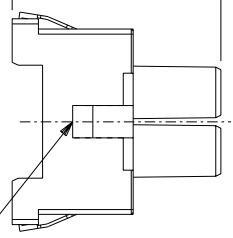


回路番号表示
CKT.No.IDENTIFICATION



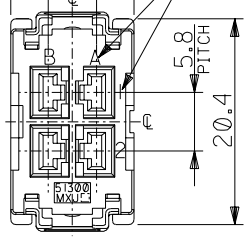
電線挿入側
WIRE SIDE

20.7



シェル挿入方向キー
POLARIZATIONS KEY FOR SHELL

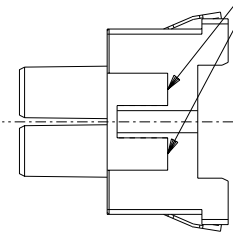
12.2
4.8 PITCH



嵌合側
MATING SIDE

回路番号表示
CKT.No.IDENTIFICATION

シェル挿入方向キー
POLARIZATIONS KEY FOR SHELL



注記
NOTES

- 材質
MATERIAL
①ハウジング：ガラス入りPBT樹脂
HOUSING : PBT G.F.
UL94V-0 色：黒
UL94V-0 COLOR : BLACK
②スプリング：ステンレス鋼 t0.3
SPRING : STAINLESS STEEL t0.3
- 適用端子：56194-9*85
APPLICABLE CRIMP SOCKET : 56194-9*85
- 適用リセプタクル シェル：56377-12**
APPLICABLE RECEPTACLE SHELL : 56377-12**
- 嵌合相手：55891-040*
MEET WITH : 55891-040*

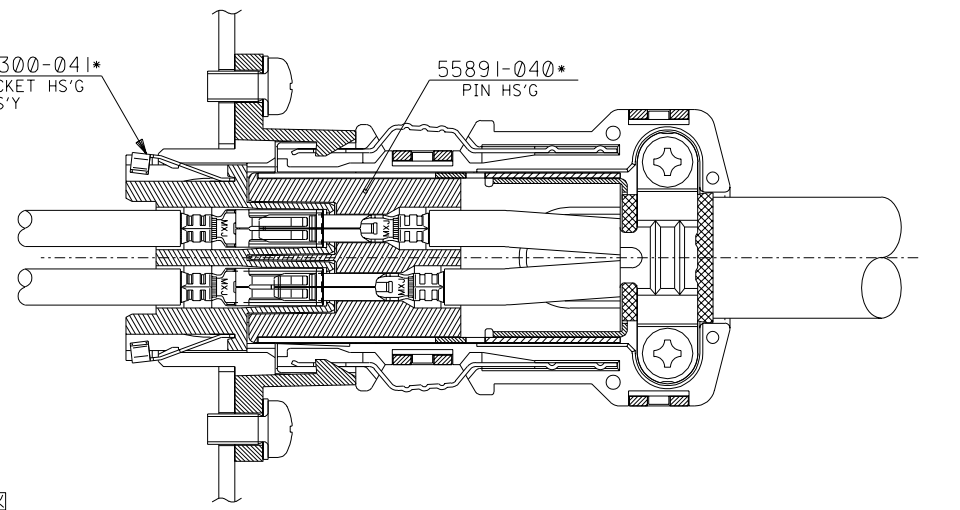
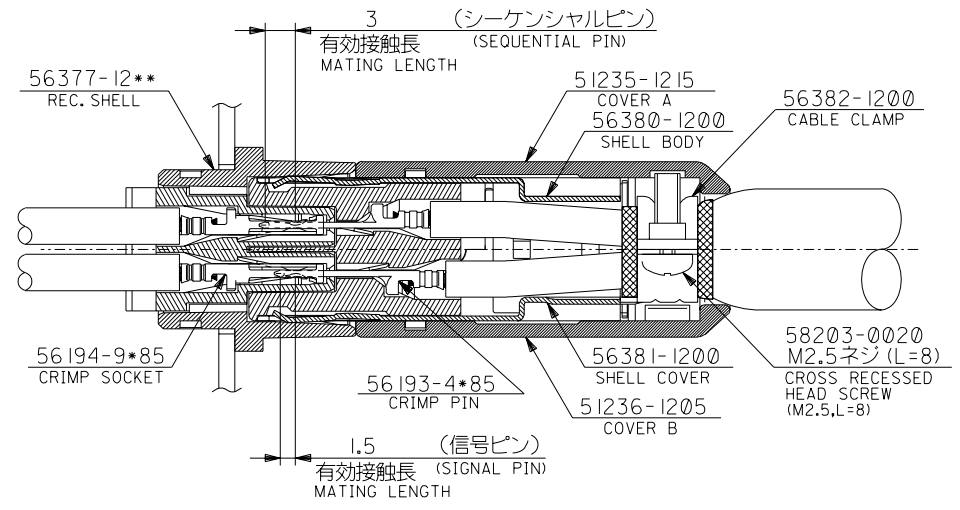
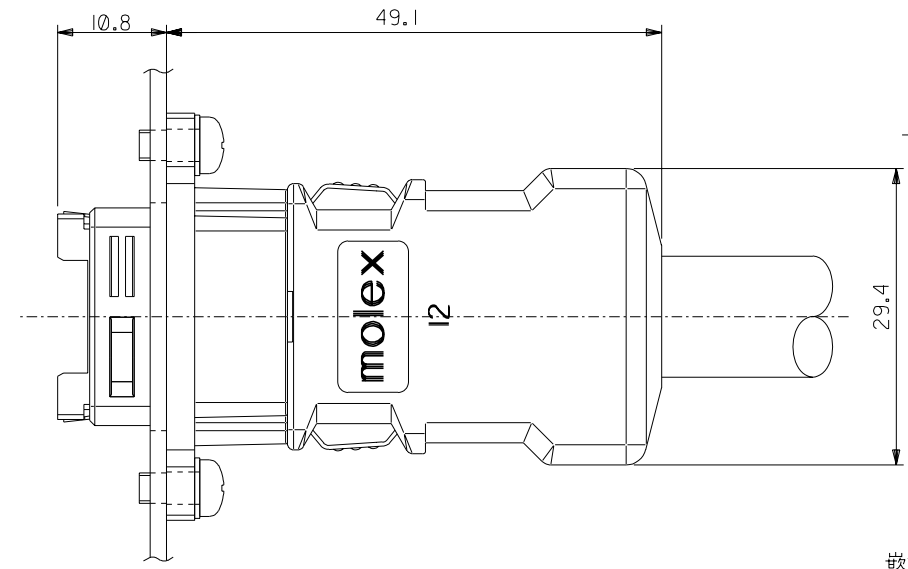
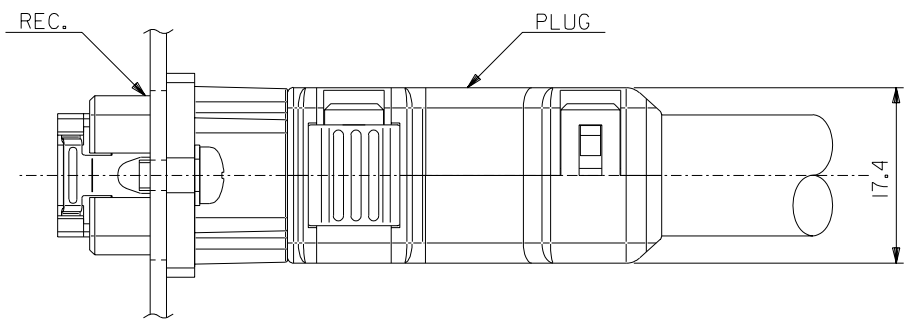
<誤嵌合防止キー（極性）タイプ>
<POLARITY KEY TYPE>

51300-0411	51300-0412	51300-0413	51300-0414
A TYPE (CKT No. A-1)	B TYPE (CKT No. A-2)	C TYPE (CKT No. B-1)	D TYPE (CKT No. B-2)

D	51300-0414	51300-041*	4
C	51300-0413		
B	51300-0412		
A	51300-0411		
POLARITY TYPE	MATERIAL No.	MODEL No.	CIRCUIT

DO NOT SCALE DRAWING

EC NO. DRWN: CHK: APPR:	EC NO. DRWN: CHK: APPR:	EC NO. DRWN: CHK: APPR:	REVISED 02/04/15 EC NO. J2002-2601 DRWN: S.AKIYAMA CHK: J.MIYAZAWA APPR: YO.ITO	0 RELEASED 01/10/12 EC NO. J2002-0854 DRWN: S.AKIYAMA CHK: J.MIYAZAWA APPR: YO.ITO	DESCRIPTION MATERIAL 材料 注記参照 SEE NOTES FINISH 仕上げ —#— WIRE RANGE 適用電線範囲 —#— INS. RANGE 被覆外径 —#—	GENERAL TOLERANCES: (UNLESS SPECIFIED) 一般公差 10 UNDER 未満 ±0.2 10 OVER 30 UNDER 未満 ±0.25 30 OVER 以上 ±0.3 ANGLE 角度 ±3°	SCALE 2-1 DESIGN UNITS <input checked="" type="checkbox"/> mm <input type="checkbox"/> INCH THIRD ANGLE PROJECTION <input checked="" type="checkbox"/> mm ONLY	TITLE: COMPACT ROBOT CONN. POWER REC. SOCKET HS'G ASS'Y Molex MOLEX INCORPORATED	CAD FILENAME 51300003.S01	MATERIAL NO. SEE CHART	DRAWING NO. SD-51300-003	SHEET NO. 1 OF 4	SIZE B
----------------------------------	----------------------------------	----------------------------------	---	---	--	---	--	---	------------------------------	---------------------------	-----------------------------	---------------------	-----------

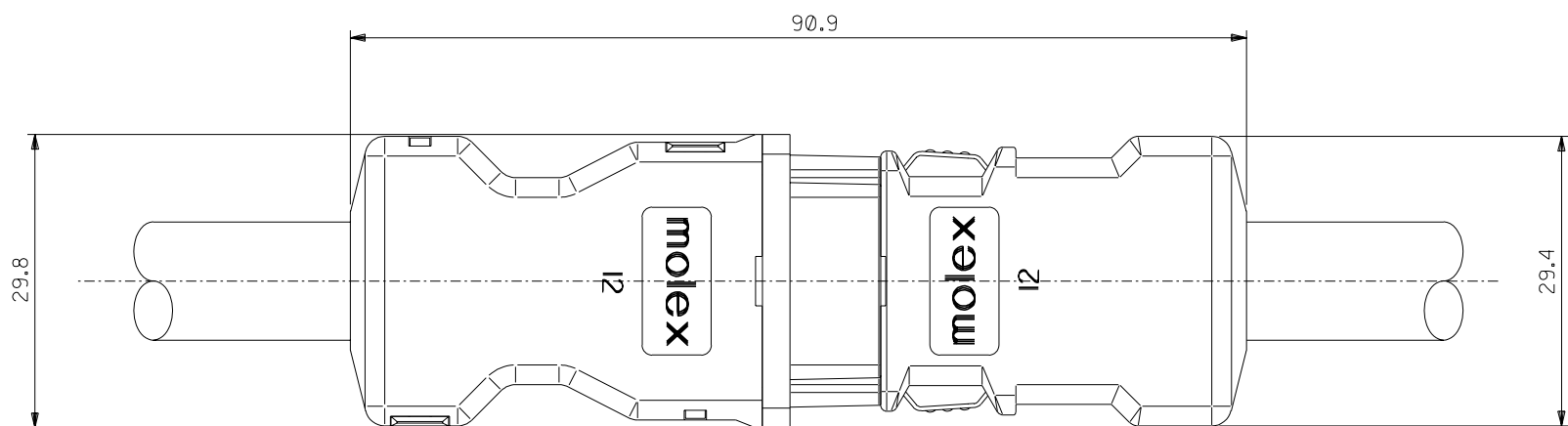
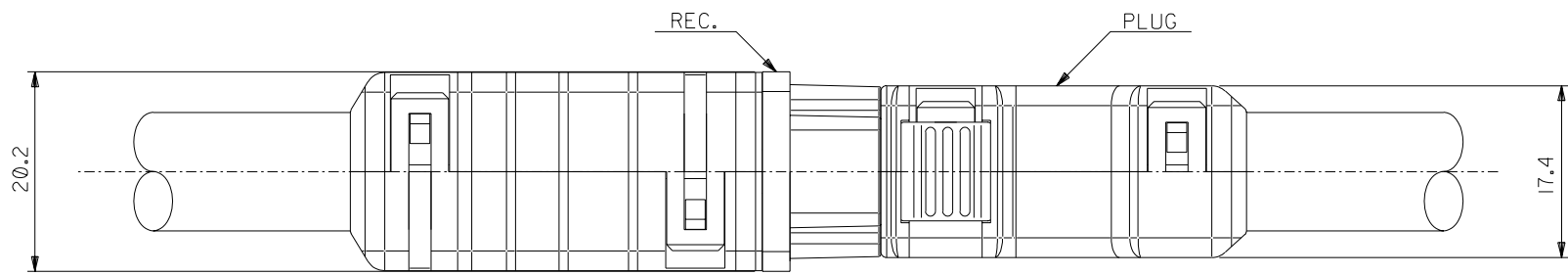


嵌合図
CROSS-SECTION VIEW OF MATED CONNECTOR

DO NOT SCALE DRAWING

EC NO. DRWN: CHK: APPR:		EC NO. DRWN: CHK: APPR:		EC NO. DRWN: CHK: APPR:		REVISED '02/04/15 EC NO. J2002-2601 DRWN: S.AKIYAMA CHK: J.MIYAZAWA APPR: YO.IITO		A		REVISED '01/10/12 EC NO. J2002-0854 DRWN: S.AKIYAMA CHK: J.MIYAZAWA APPR: YO.IITO		0		MATERIAL 材料 #		FINISH 仕上げ #		WIRE RANGE 適用線径範囲 #		INS. RANGE 被覆外径 #		GENERAL TOLERANCES: (UNLESS SPECIFIED) 一般公差		SCALE 2-1		DESIGN UNITS mm □ mm □ INCH		THIRD ANGLE PROJECTION		DIMENSIONS: □ mm □ INCH □ mm ONLY		SHT REVISE ON CAD ONLY		REV			
						DESCRIPTION 注記参照 SEE NOTES																		10 UNDER 未滿		±0.2		DRAWN BY & DATE <i>S. Akiyama</i> '01/10/11		TITLE: COMPACT ROBOT CONN. POWER REC. SOCKET HS'G ASS'Y							
																								10 OVER 30 UNDER 未滿		±0.25		CHECKED BY & DATE <i>J. Marawa</i>		MOLEX MOLEX INCORPORATED							
																								30 OVER 以上		±0.3		APPROVED BY & DATE <i>Y. Ito</i>		MATERIAL NO. SEE CHART		DRAWING NO. SD-51300-003		SHEET NO. 2 OF 4			
																								ANGLE 角度		±3°		CAD FILENAME 51300003.S02						THIS DRAWING CONTAINS INFORMATION THAT IS PROPRIETARY TO MOLEX INCORPORATED AND SHOULD NOT BE USED WITHOUT WRITTEN PERMISSION.		SIZE B	

DWG. NO.
SD-51300-003



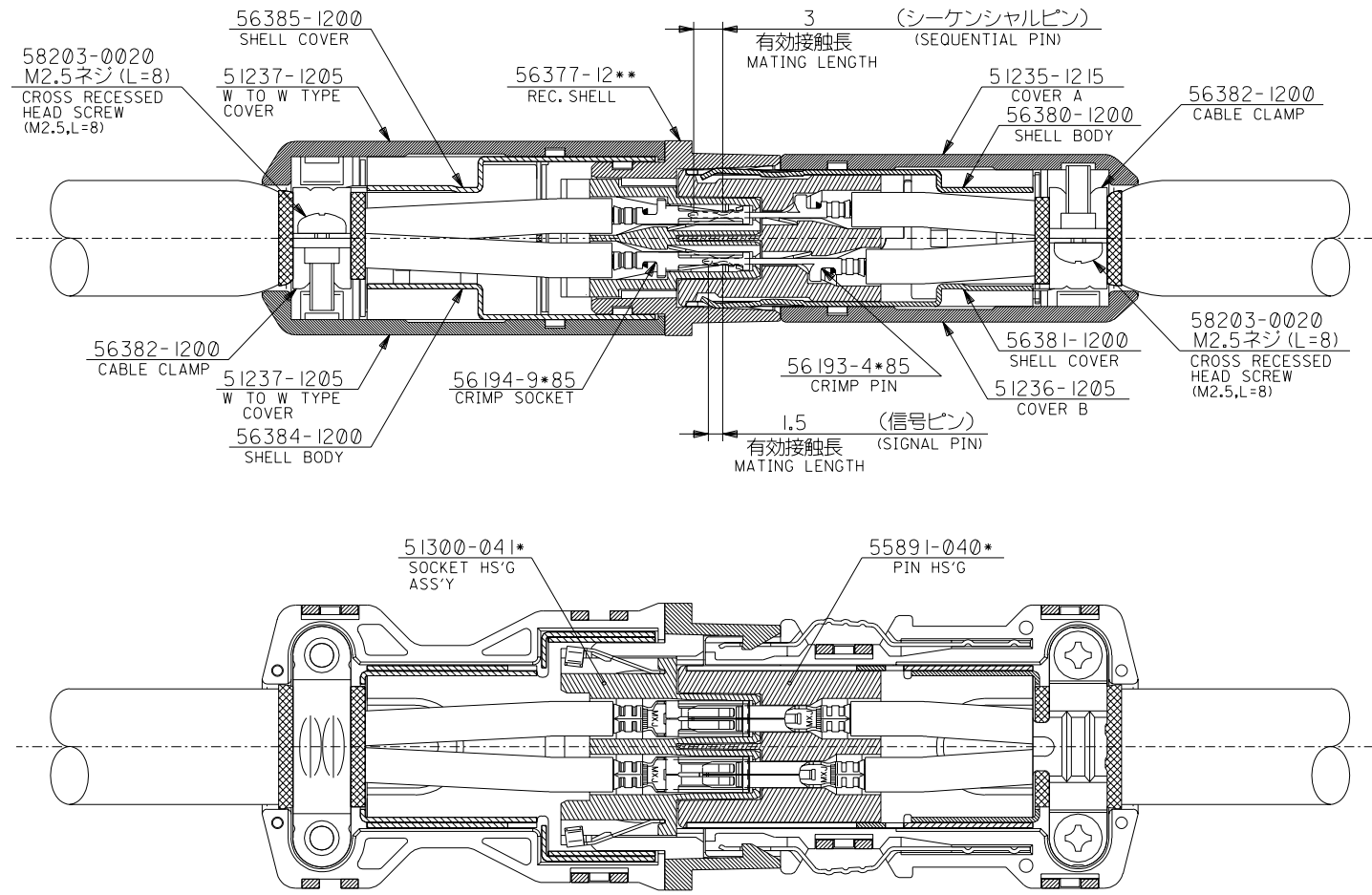
嵌合図 (中継タイプ)
CROSS-SECTION VIEW OF MATED CONNECTOR
(WIRE TO WIRE TYPE)

DO NOT SCALE DRAWING

EC NO. DRWN: CHK: APPR:	EC NO. DRWN: CHK: APPR:	EC NO. DRWN: CHK: APPR:	REVISED '02/04/15	MATERIAL 材料	GENERAL TOLERANCES: (UNLESS SPECIFIED) 一般公差	SCALE	DESIGN UNITS	THIRD ANGLE PROJECTION	DIMENSIONS:		SHT	REV	
			EC NO. J2002-2601 DRWN: S.AKIYAMA CHK: J.MIYAZAWA APPR: YO.ITO			FINISH 仕上げ	10 UNDER 未満		±0.2	2-1	mm	mm	mm
A	0	0	RELEASED '01/10/12	DESCRIPTION	注記参照 SEE NOTES	10 OVER 以上	30 UNDER 未満	TITLE:	COMPACT ROBOT CONN. POWER REC. SOCKET HS'G ASS'Y		MOLEX INCORPORATED		
			EC NO. J2002-0854 DRWN: S.AKIYAMA CHK: J.MIYAZAWA APPR: YO.ITO			WIRE RANGE 適用配線範囲	±0.25						30 OVER 以上
				INS. RANGE 被覆外径		ANGLE 角度	±3°	THIS DRAWING CONTAINS INFORMATION THAT IS PROPRIETARY TO MOLEX INCORPORATED AND SHOULD NOT BE USED WITHOUT WRITTEN PERMISSION.		SIZE B			

513000003.S03

DWG. NO. SD-51300-003



嵌合図 (中継タイプ)
CROSS-SECTION VIEW OF MATED CONNECTOR
(WIRE TO WIRE TYPE)

DO NOT SCALE DRAWING

EC NO. DRWN: CHK: APPR:	EC NO. DRWN: CHK: APPR:	EC NO. DRWN: CHK: APPR:	REVISED 02/04/15 EC NO. J2002-2601 DRWN: S.AKIYAMA CHK: J.MIYAZAWA APPR: YO.ITO	REVISED 01/10/12 EC NO. J2002-0854 DRWN: S.AKIYAMA CHK: J.MIYAZAWA APPR: YO.ITO	MATERIAL 材料	注記参照 SEE NOTES	GENERAL TOLERANCES: (UNLESS SPECIFIED) 一般公差	SCALE 2-1	DESIGN UNITS <input checked="" type="checkbox"/> mm <input type="checkbox"/> INCH	<input checked="" type="checkbox"/> THIRD ANGLE <input type="checkbox"/> PROJECTION	DIMENSIONS: <input type="checkbox"/> mm <input type="checkbox"/> INCH <input checked="" type="checkbox"/> mm ONLY	SHT REVISE ON CAD ONLY	REV
			A	0	FINISH 仕上げ	#	10 UNDER 未満 ±0.2	DRAWN BY & DATE S. Akigama 01/10/11	TITLE: COMPACT ROBOT CONN. POWER REC. SOCKET HS'G ASS'Y				
					WIRE RANGE 適用電線範囲	#	10 OVER 30 UNDER 未満 ±0.25	CHECKED BY & DATE J. Morawo	Molex MOLEX INCORPORATED				
					INS. RANGE 被覆外径	#	30 OVER 以上 ±0.3	APPROVED BY & DATE Y. Ota	CAD FILENAME 51300003.S04	MATERIAL NO. SEE CHART	DRAWING NO. SD-51300-003	SHEET NO. 4 OF 4	SIZE B
THIS DRAWING CONTAINS INFORMATION THAT IS PROPRIETARY TO MOLEX INCORPORATED AND SHOULD NOT BE USED WITHOUT WRITTEN PERMISSION.												EN-02J(097) MXJ-54	

51300003.S04