

BACKPLANE POLARIZING/GUIDANCE MODULE ASSEMBLY PART NUMBER ASSIGNMENT

- 2 - CUSTOM LOAD, LEAD FREE
 - 3 - L-SERIES
 - 5 - UNIFORM LOAD, 702X
 - 6 - UNIFORM LOAD, BRUSH 60
 - 7 - CUSTOM LOAD, LEADED
 - 8 - ADVANCE MATE, UNIFORM LOAD 702X
 - 9 - ADVANCE MATE, UNIFORM LOAD BRUSH 60
- CONTACT LOAD (PIN LENGTH)
 1 = 4.75
 2 = 6.25
 3 = 4.25
 4 = 5.15
- PLATING CODE
 0 = 735 2 = 769
 1 = 732 3 = 768
- POLARIZING PIN LOCATION CODE(SEE TABLE)
- NO. OF POSN
 10 = 10 POSN
 25 = 25 POSN

ASSEMBLY PART NUMBER	BACKPLANE POLARIZING/GUIDANCE MODULE	K	(L)	P	TOTAL NUMBER OF SIGNAL CONTACTS	TOTAL NUMBER OF GROUND SHIELDS
467-X010-XXX	467-0010-070	9	(18.00)	27.0	40	10
467-X025-XXX	467-0025-070	24	(48.00)	57.0	100	25

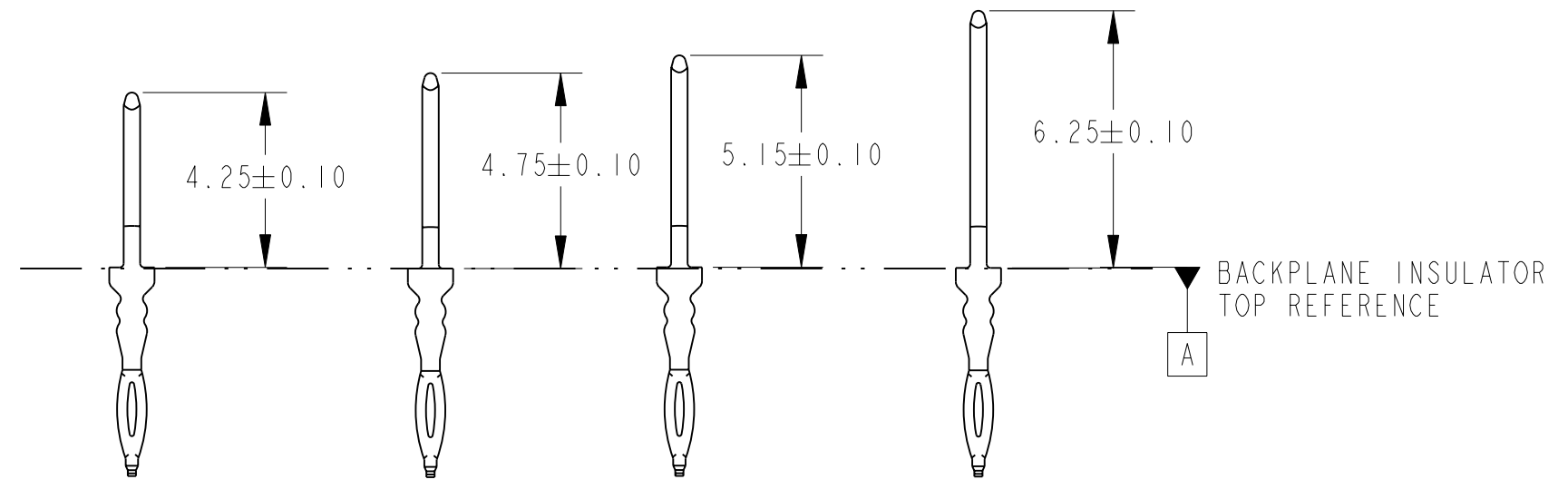
ASSEMBLY PART NUMBER	SIGNAL CONTACTS	CONTACT LENGTH
467-(3,5,8)0XX-XX1	260-0022-⑦	4.75
467-(3,5,8)0XX-XX2	260-0021-⑦	6.25
467-(3,5,8)0XX-XX3	260-0023-⑦	4.25
467-(3,5,8)0XX-XX4	260-0024-⑦	5.15
467-(6,9)0XX-XX1	260-0002-⑦	4.75
467-(6,9)0XX-XX2	260-0001-⑦	6.25
467-(6,9)0XX-XX3	260-0003-⑦	4.25
467-(6,9)0XX-XX4	260-0004-⑦	5.15

GUIDE AND POL PIN	PART NUMBER	N	P
STANDARD GUIDE PIN	564-0385-553	19.3	-
CUSTOM GUIDE PIN	564-0420-553	17.3	-
CUSTOM GUIDE PIN	564-0487-553	13.4	-
STANDARD POL PIN	564-0440-553	-	10.4

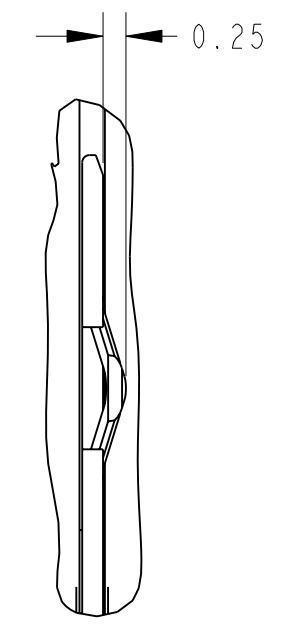
ASSEMBLY PART NUMBER	SHIELD CONTACTS SEE DETAIL W SH 2	SHIELD HEIGHT
467-30XX-XXX	N/A	N/A
467-50XX-XXX	272-0021-⑦	5.3
467-60XX-XXX	272-0001-⑦	5.3
467-80XX-XXX	272-0024-⑦	5.5
467-90XX-XXX	272-0004-⑦	5.5

ASSEMBLY P/N	REV
467-X0XX-XXX	N

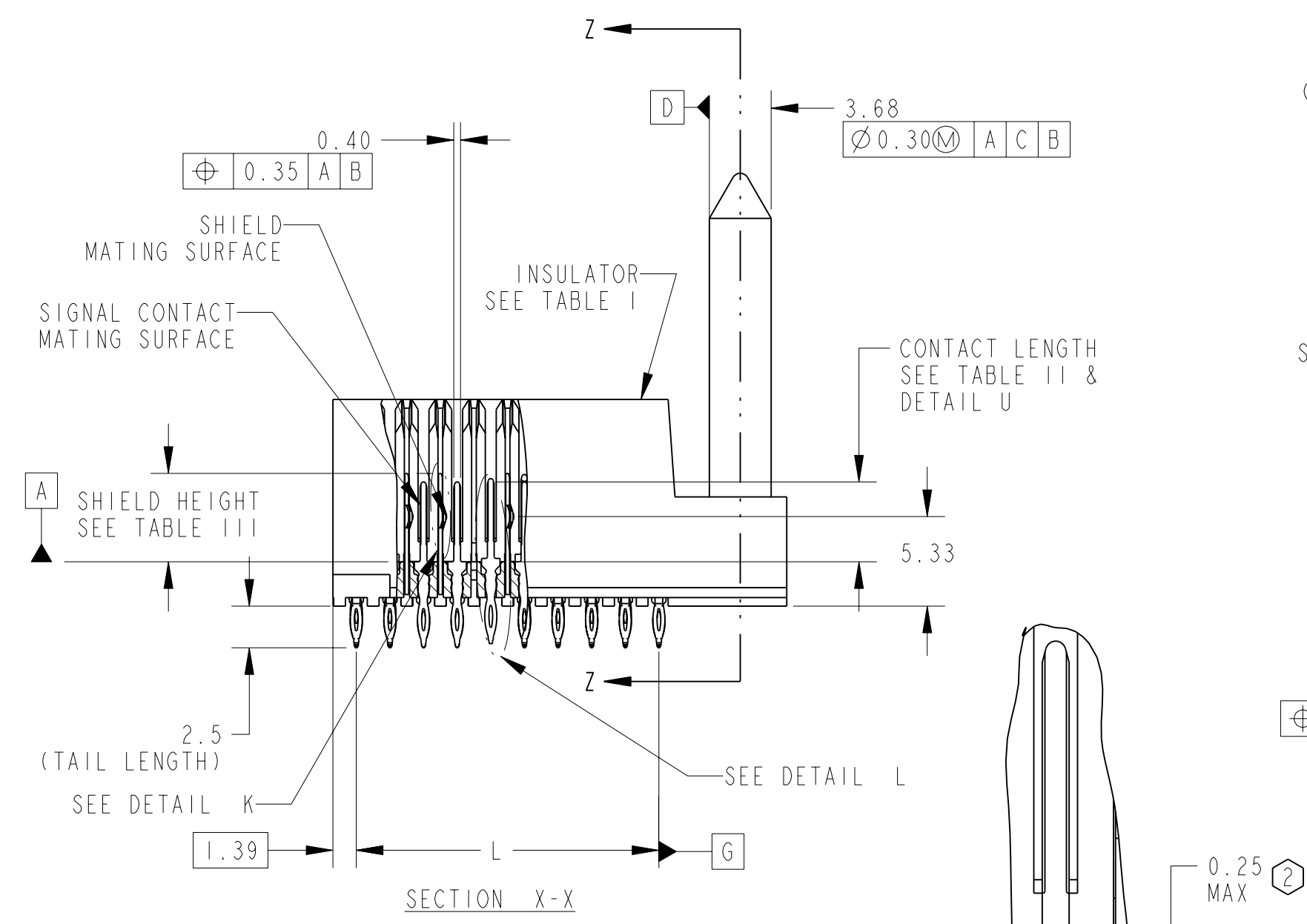
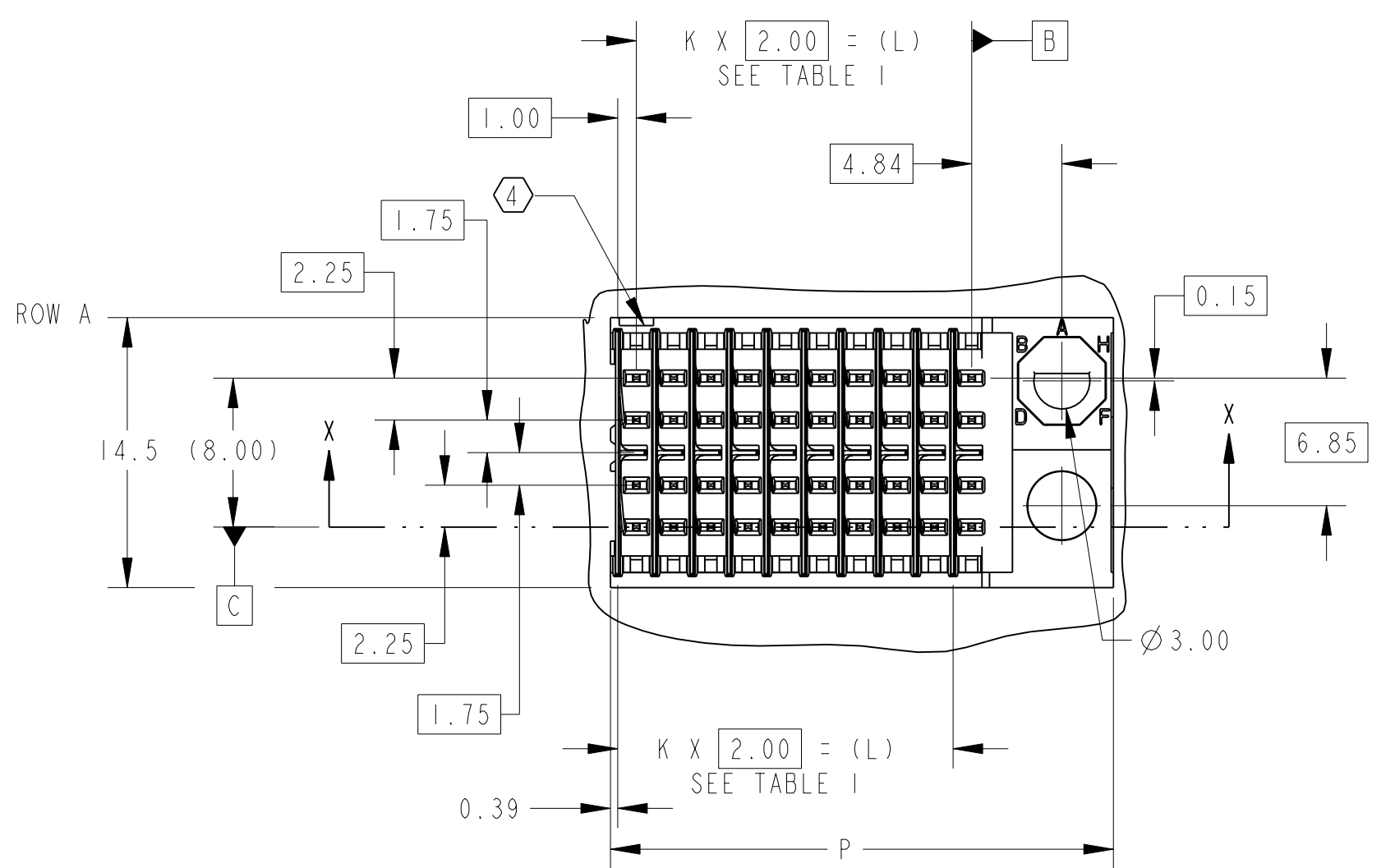
PART NUMBER 467-X0XX-()	-0XX	-AXX	-BXX	-CXX	-DXX	-EXX	-FXX	-GXX	-HXX
POLARIZING PIN ORIENTATION									



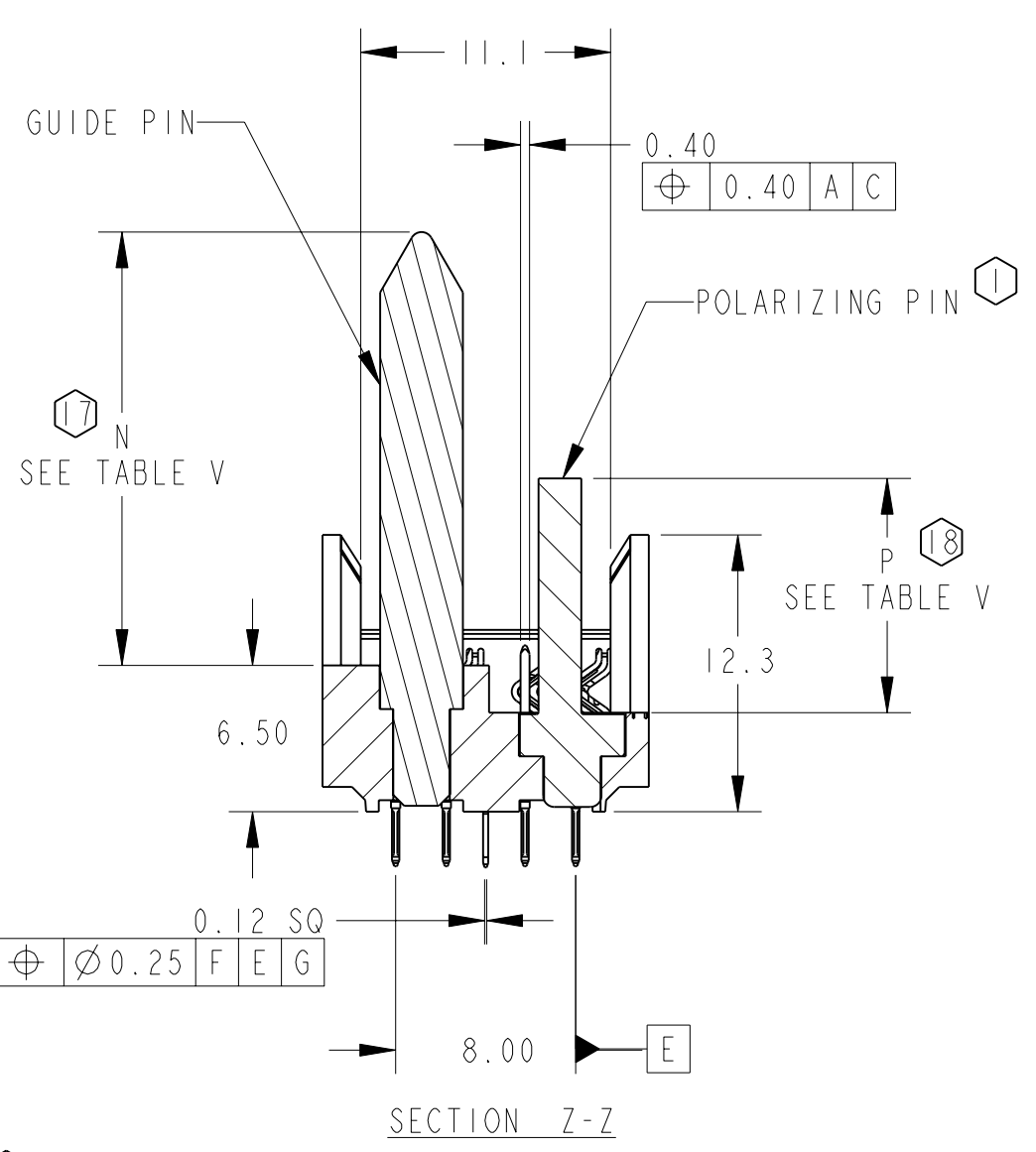
DETAIL U SCALE 6/1 SEE TABLE II



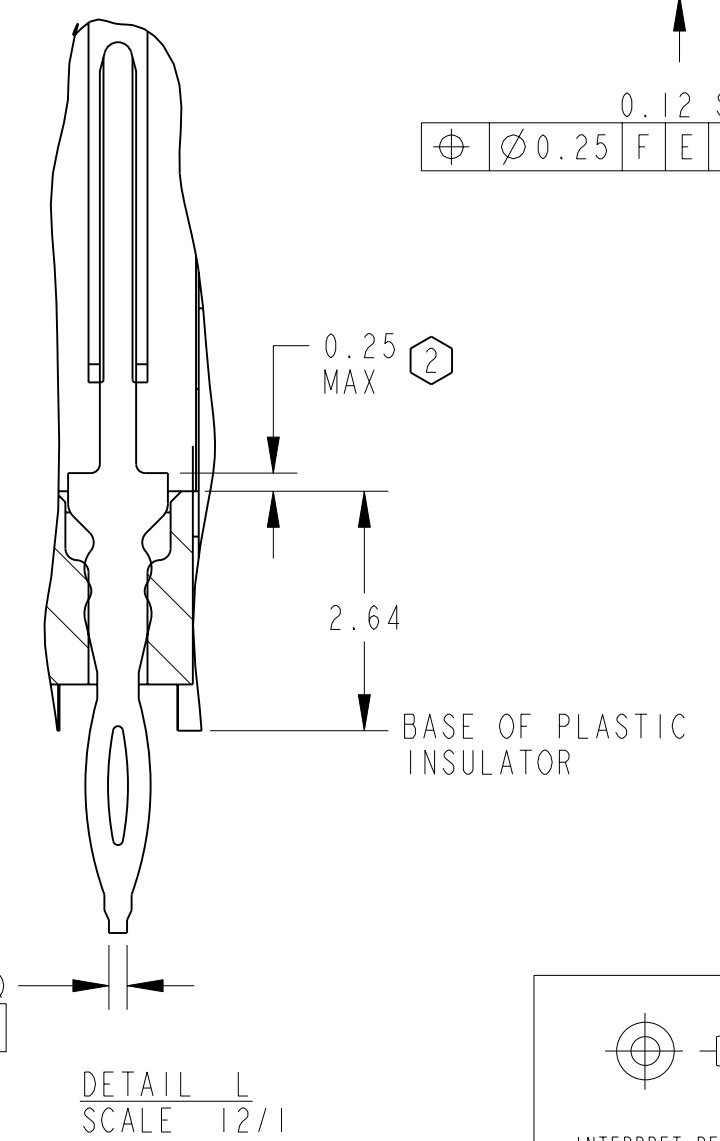
DETAIL K SCALE 12/1



SECTION X-X



SECTION Z-Z



DETAIL L SCALE 12/1

- NOTES:
- POLARIZING PIN MUST ALIGN AS INDICATED BY PART NUMBER CODE. (SEE TABLE IV). TO INSURE PROPER ALIGNMENT, THE OCTAGONAL BASE PORTION OF THE PIN MUST BE POSITIONED INTO THE CORRESPONDING MOLDED CAVITY.
 - WHEN ASSEMBLED TO BACKPLANE INSULATOR, CONTACTS MUST SEAT FLUSH WITH INSULATOR'S TOP SURFACE TO A MAXIMUM ALLOWABLE GAP OF 0.25MM.
 - SHIELDS SHALL BE STRAIGHT WITH MAXIMUM ALLOWABLE BOW OF 0.15 MILLIMETERS ON EITHER SIDE OF SHIELD. SEE DETAIL "X". SEE SHEET 2.
 - OPEN NOTCH END DESIGNATES COLUMN I.
 - PART MARKING AS FOLLOWS:
 LINE 1: TCSYYWDDHH (LOGO, YEAR, WEEK, DAY, HOUR)
 LINE 2: MODULE PART NUMBER (467#####)
 LINE 3: WORK ORDER NUMBER (VH#####), WHERE "*" DENOTES MANUFACTURING LOCATION.
 - IF MODULE PART NUMBER IS 467-7XXX-XXX OR 467-2XXX-XXX, PART REVISION, MODULE ORIENTATION, NUMBER OF COLUMNS, PLATING CODE, AND SIGNAL CONTACT LOAD ARE NOT APPLICABLE.
 - LAST 3 DIGITS OF SIGNAL CONTACT AND SHIELD CONTACTS ARE DETERMINED BY PLATING CODE PER EGS 205.
 - FOR HASL ONLY, PTH TO BE Ø0.610-0.495MM.
 - ROUTE DIFFERENTIAL PAIRS THROUGH A-B AND D-E
 - DATUM -A- IS DEFINED AS THE WAFER MATING SURFACE OF THE PLASTIC INSULATOR.
 - DATUM -B- IS DEFINED AS THE CENTERLINE OF THE TOP OF THE OUTERMOST WAFER SLOTS IN THE INSULATOR WALLS.
 - DATUM -C- IS DEFINED AS THE CENTERLINE OF THE CONNECTOR MEASURED FROM THE TWO OUTERMOST ROWS OF SIGNAL CONTACT HOLES.
 - DATUM -E- IS DEFINED AS THE CENTERLINE OF THE CONNECTOR MEASURED FROM THE TWO OUTERMOST COLUMNS OF SIGNAL CONTACTS TAIL SIDE.
 - DATUM -F- IS DEFINED AS THE BOTTOM SURFACE OF THE PLASTIC INSULATOR.
 - DATUM -G- IS DEFINED AS THE CENTERLINE OF THE CONNECTOR MEASURED FROM THE TWO OUTERMOST ROWS OF SIGNAL CONTACTS TAIL SIDE.
 - N/A
 - USING GUIDE PINS THAT ARE SHORTER THAN THE STANDARD HEIGHT OF 19.3mm AND POLARIZING PINS THAT ARE SHORTER THAN THE STANDARD HEIGHT OF 12.6mm MAY NOT PROVIDE THE SUFFICIENT X AND Y AXIS ALIGNMENT AND POLARIZING PROTECTION PRIOR TO COMMENCEMENT OF ALL COMPONENT MATING SEQUENCES. CONSULT TERADYNE APPLICATIONS ENGINEERING PRIOR TO SYSTEMS DESIGN AND COMPONENT SELECTION.
 - STANDARD GUIDE PIN (564-0385-553) AND STANDARD POLARIZING PIN (564-0387-540) ARE IN STANDARD 5000 SERIES MODEL ASSEMBLIES. ANY GUIDE PIN OR POLARIZING PIN OTHER THAN THESE STANDARD NUMBERS WILL RESULT IN CUSTOM 7000 SERIES MODULE ASSEMBLIES BEING ASSIGNED.

ZONE	REV	SCR NO.	DESCRIPTION	BY	DATE	APPROVED
-	A	29474	NEW RELEASE	JV	11/23/99	D.Provencher
-	B	34915	ADDED ADVANCE MATE SHIELD;CHGD FOMAT TO D SIZE;	JSG	5/9/01	LEBLANC
-	C	39370	ADDED VHDM TO TITLE	SG	8/01/02	YEH
-	D	40819	MODIFIED TABLE III	SG	1/7/02	W.LI
-	E	41020	ADDED TABLE V	SG	1/27/03	W.LI
-	F	WL11-5V6MHP.VERO1	REVISE DATUMS AND ADDED TABLE VI	SG/ML	02/09/04	W.LI
-	G	KLEC-66RSE5.VERO1	ADDED NOTES I7 & I8	SG	9/20/04	LEBLANC
-	H	DMAG-6BSMYQ.VERO1	ADDED LEAD FREE PLATING OPTION	GKR	05/03/05	S.BAIR
-	J	MLEE-6KBP03.VERO1	REPLACED DRAWING FORMAT	ML	01/20/06	C.SAMMIS
-	K	SBAR-6NHL4J.VERO1	UPDATED TABLE 2, TABLE 3 AND TABLE 6	HCL	04/11/06	K.LEBLANC

TOLERANCES	DESIGN 7/7/99	JSG
0.0	±0.25	
0.0	±0.13	
0.000	±	
ANGLES	±	

Amphenol TCS
 A Division of Amphenol Corporation
 44 Simon Street, Nashua, NH, 03060 603.879.3000

TITLE: BACKPLANE POLARIZING/GUIDANCE M ASSEMBLY, RIGHT, 5 ROW HSD

PART NO. SEE TABLE VI

DRAWING NO. C-467-5010-500

ProE ASSEM P1018-ASSY-BP-10-RIGHTGUIDE-BRD P1018-BP-RIGHT-GUIDE-ASSY.drw

SIZE D SCALE 3.000 SHEET 1 OF 2

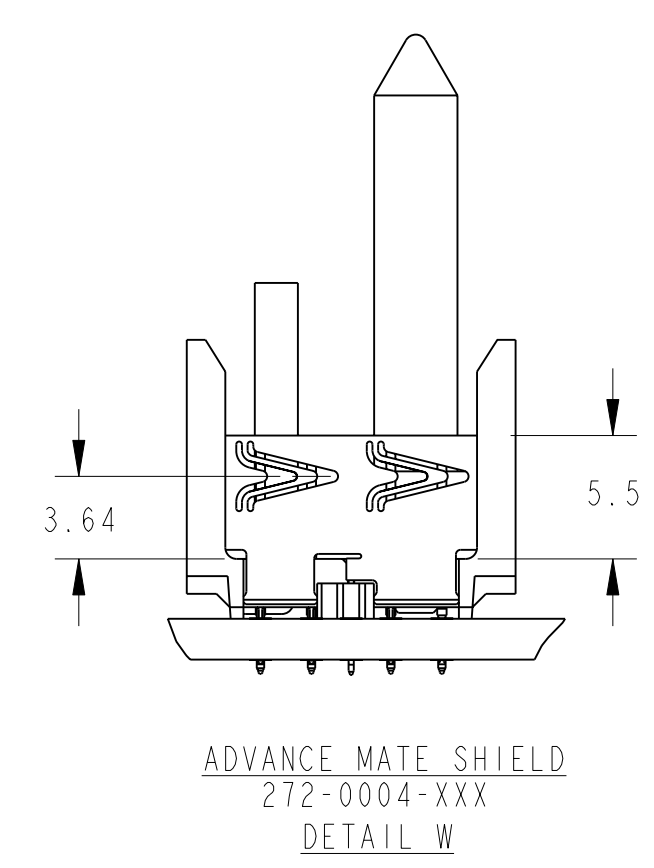
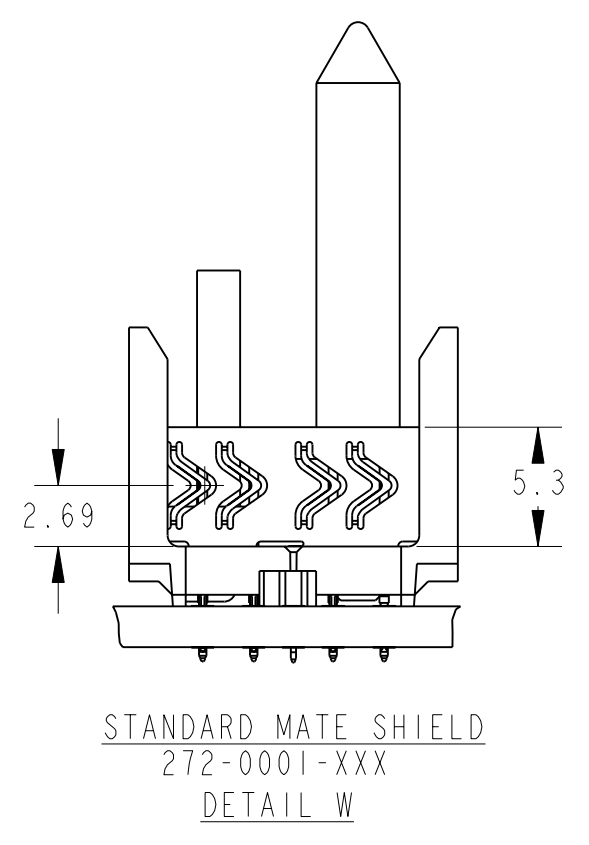
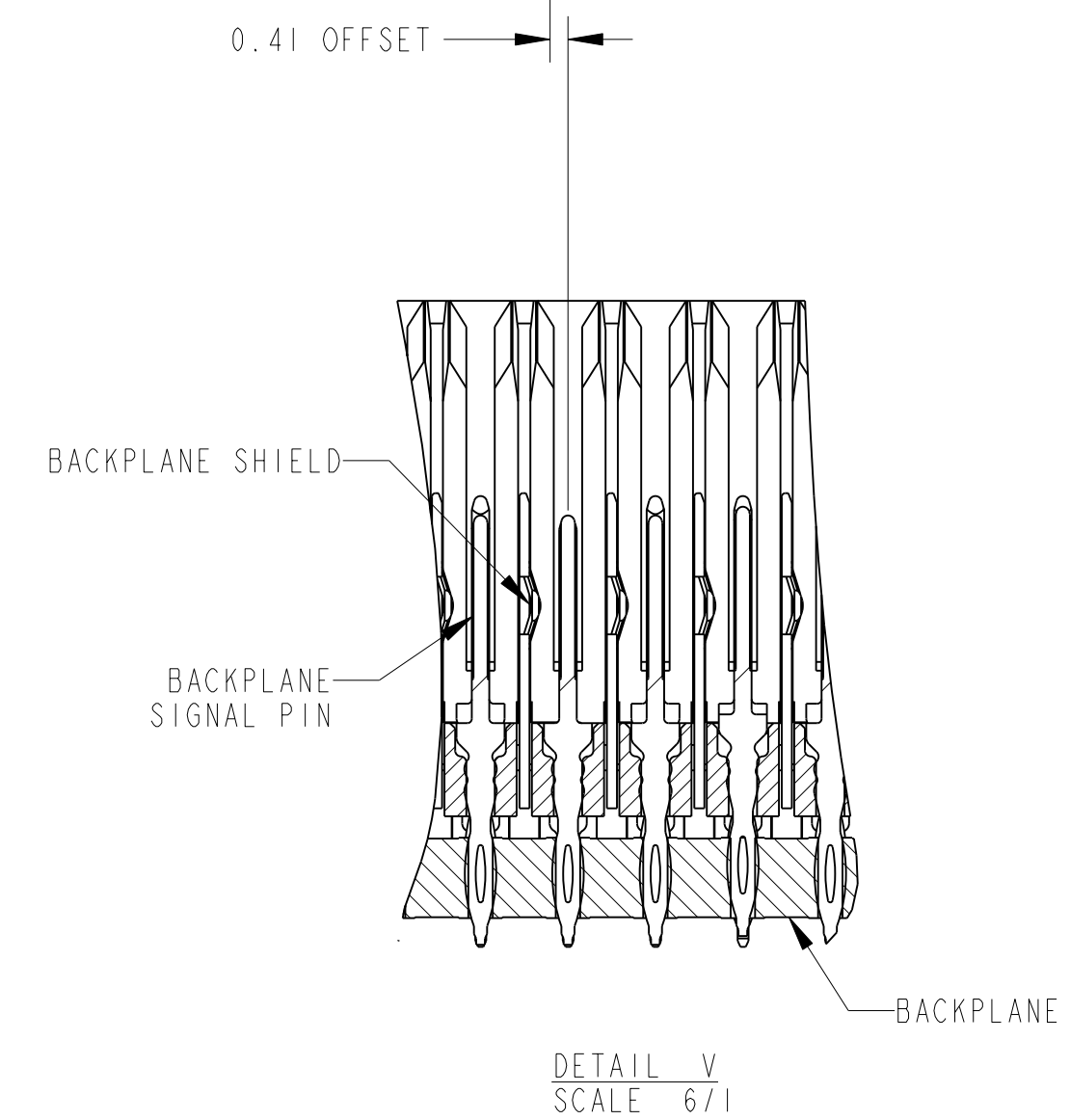
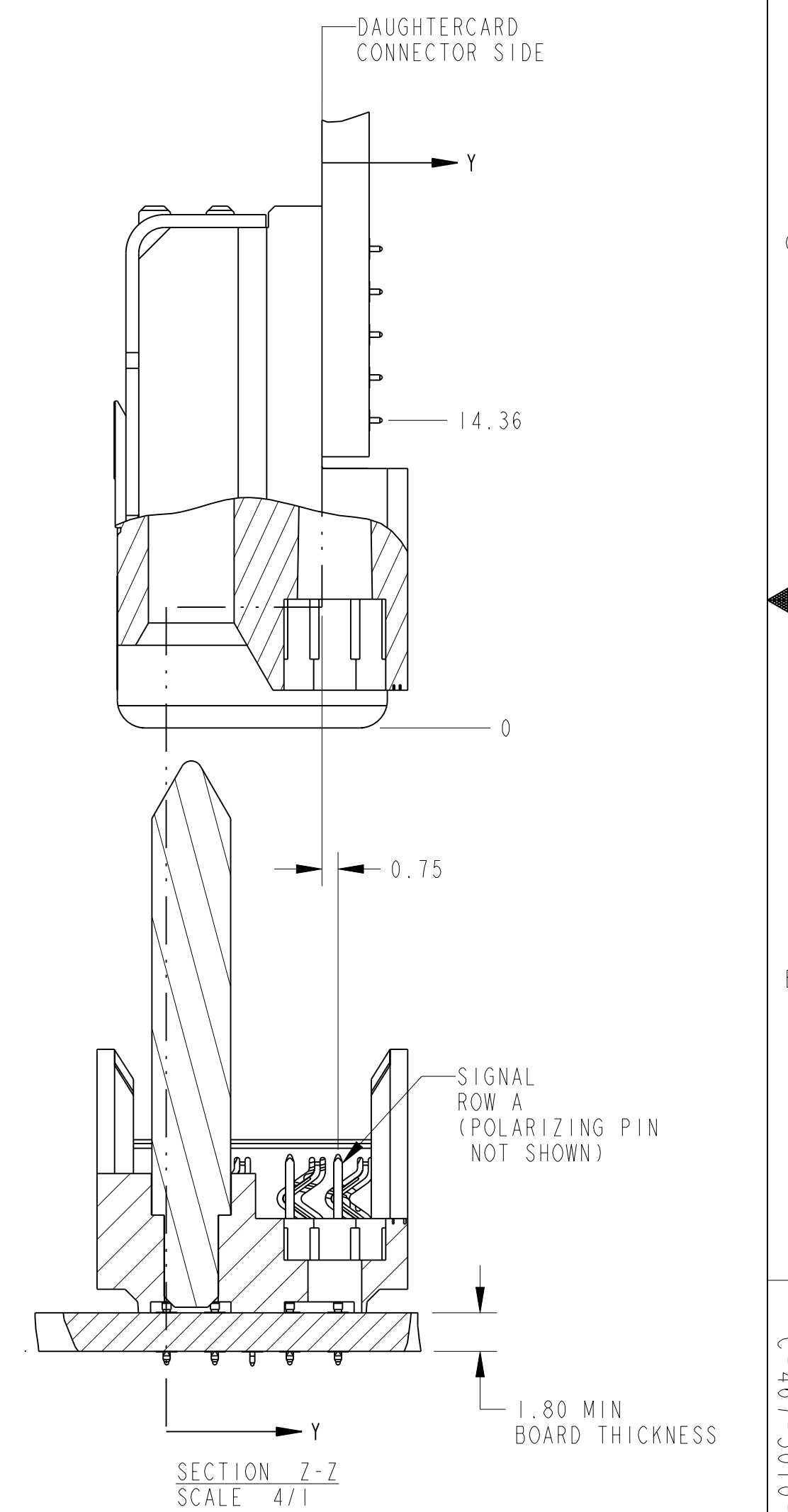
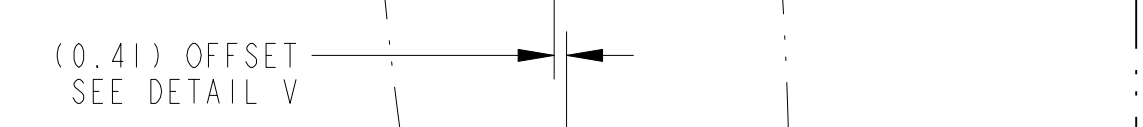
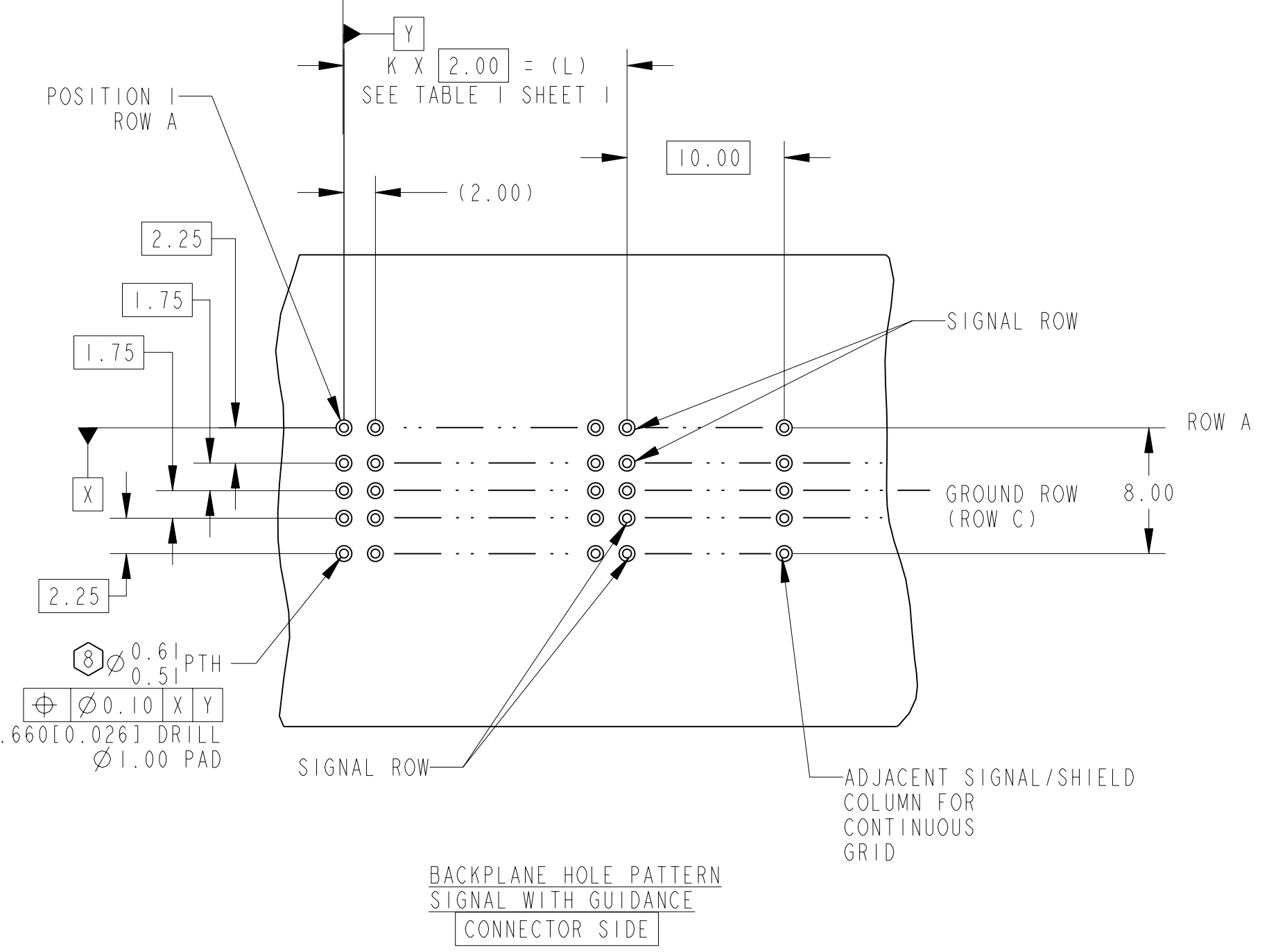
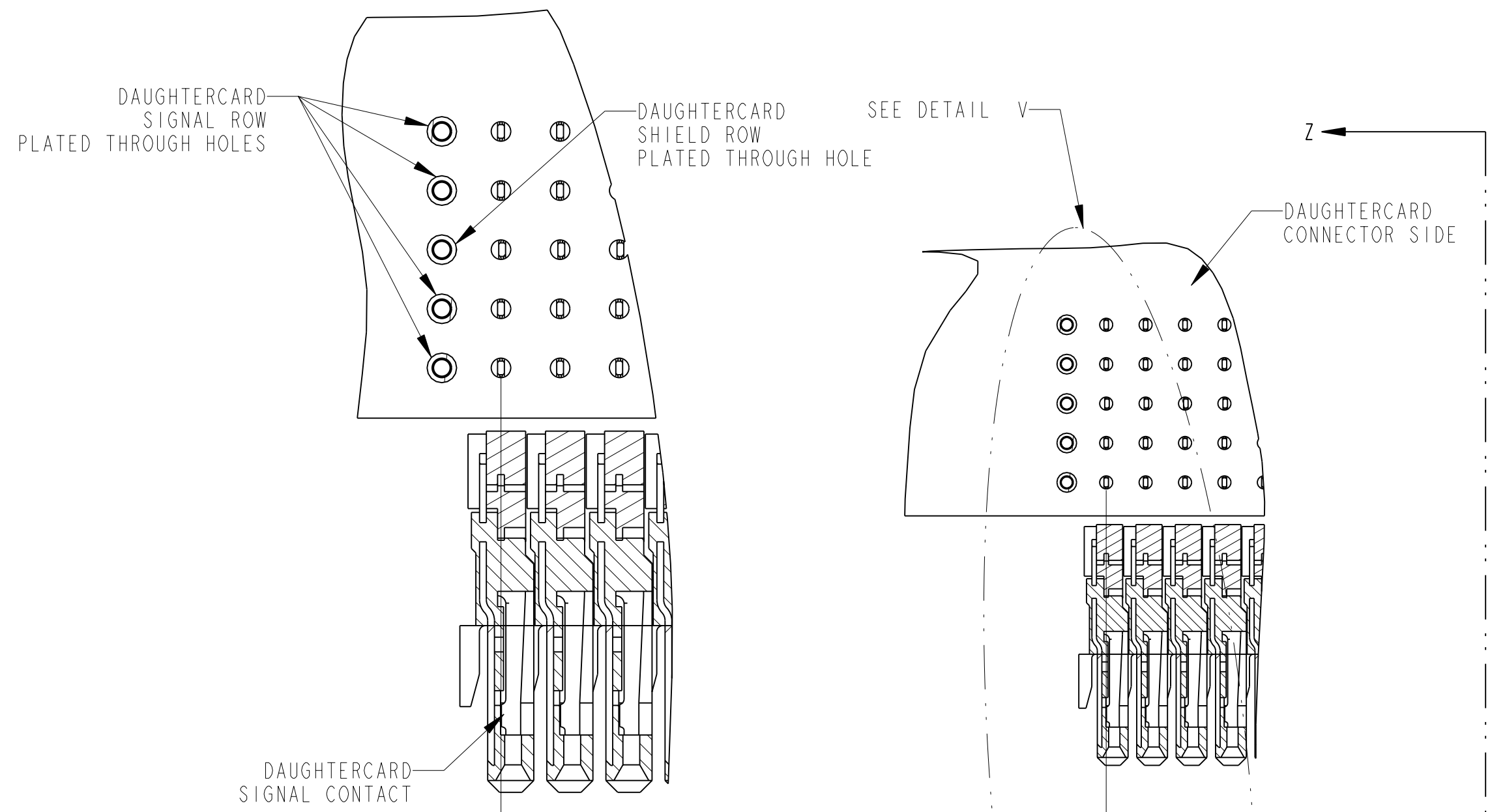
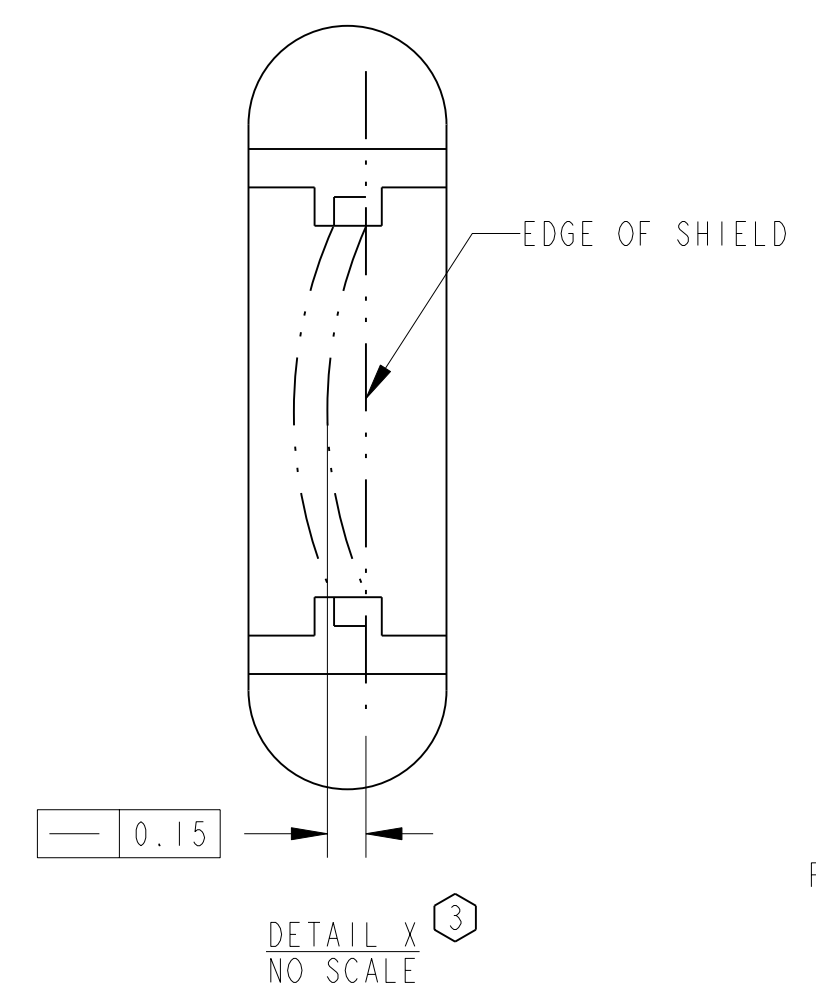
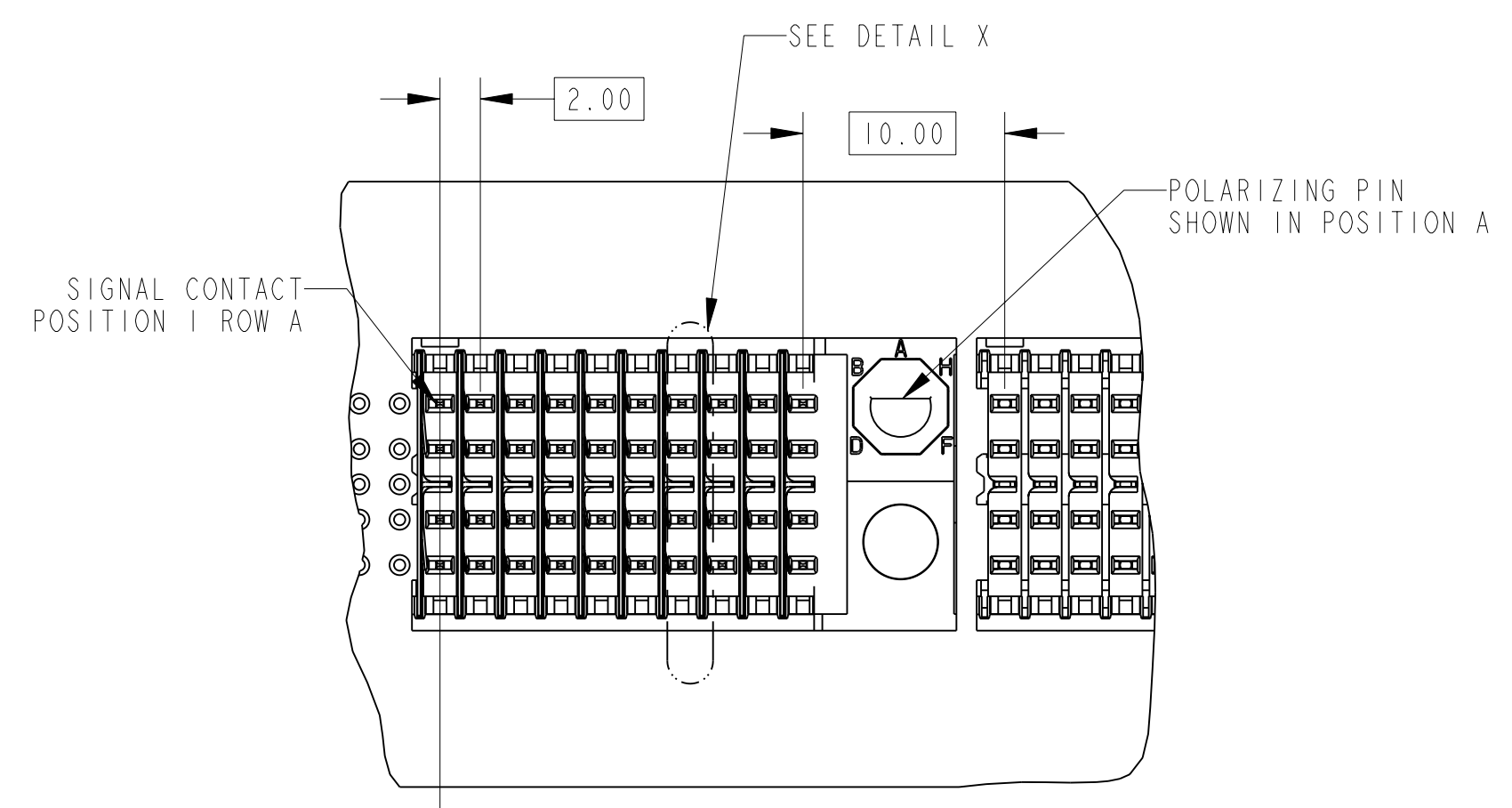
INTERPRET PER ASME Y14.5M
 CODE IDENT 31413

CUSTOMER USE
 DRAWING

DRW NO. C-467-5010-500

SH I REV K

ZONE	REV	SCR NO.	DESCRIPTION	BY	DATE	APPROVED
-	-	-	SEE SHEET I	-	-	-



TOLERANCES		DESIGN 7/7/99	JSG
0.0	±0.25	DRWN 8/5/99	J.Varhegyi
0.00	±0.13	CHK 11/23/99	D.Provencher
0.000	± -	APVD 4/26/00	D.Provencher
ANGLES	± -		

UNLESS OTHERWISE SPECIFIED DIMENSIONS ARE IN MM, DECIMAL MAKER IS PERIOD

Amphenol TCS A Division of Amphenol Corporation 44 Simon Street, Nashua, NH, 03060 603.879.3000	
TITLE BACKPLANE POLARIZING/GUIDANCE M ASSEMBLY, RIGHT, 5 ROW HSD	PART NO. SEE TABLE VI
DRAWING NO. C-467-5010-500	REV K
ProE ASSEM P1018-ASSY-BP-10-RIGHTGUIDE-BRD P1018-BP-RIGHT-GUIDE-ASSY.drw	1.17 1.54
SIZE D	SCALE 3.000
SHEET 2 OF 2	

INTERPRET PER ASME Y14.5M
CODE IDENT 31413

CUSTOMER USE
DRAWING

DRW NO. C-467-5010-500 SH 2 REV K