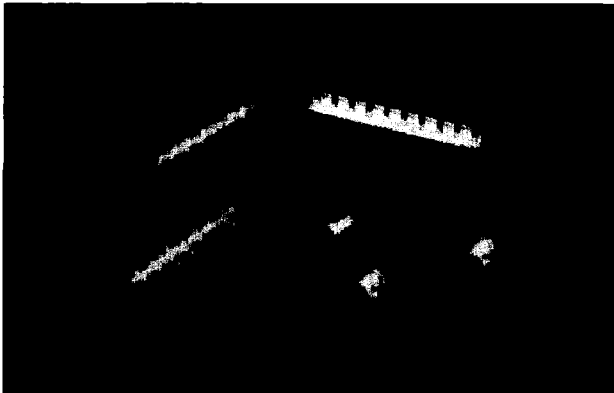


.156" (3.96 mm) Header



3100-3 Series Right Angle

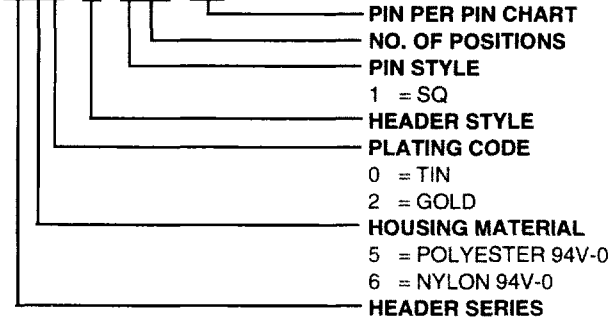
.045" square pin preinserted into a nylon wafer and formed right angle to increase packaging options with a lower profile. Mates with 3300 Series crimp or I.D.C. style connectors and 3000 and 3600 Series dip solder connectors.

Housing Material: 94V-0 thermoplastic

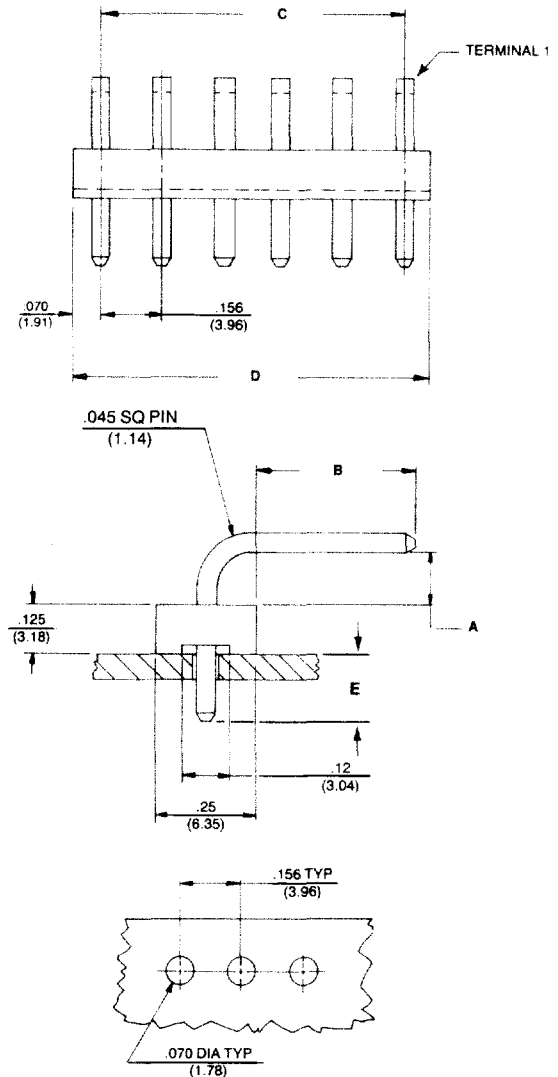
Contacts: Plated brass

Optional Material: 94V-2 consult factory

PART NUMBER KEY 31XX - 3 - 1XX - XX



ALL DIMENSIONS ARE IN INCHES
DIMENSIONS IN () ARE IN MILLIMETERS



RECOMMENDED P.C. BOARD LAYOUT

Pin Chart

Part Number	No. of Pos.	Dim. C.		Dim. D.	
		Inch	MM	Inch	MM
31XX-3-102-XX	2	.156	3.96	.296	7.52
31XX-3-103-XX	3	.312	7.92	.452	11.48
31XX-3-104-XX	4	.468	11.89	.608	15.44
31XX-3-105-XX	5	.624	15.85	.764	19.41
31XX-3-106-XX	6	.780	19.81	.920	23.37
31XX-3-107-XX	7	.936	23.77	1.076	27.33
31XX-3-108-XX	8	1.092	27.74	1.232	31.29
31XX-3-109-XX	9	1.248	31.70	1.388	35.26
31XX-3-110-XX	10	1.404	35.66	1.544	39.22
31XX-3-111-XX	11	1.560	39.62	1.700	43.18
31XX-3-112-XX	12	1.716	43.59	1.856	47.14
31XX-3-113-XX	13	1.872	47.55	2.012	51.10
31XX-3-114-XX	14	2.028	51.51	2.168	55.07
31XX-3-115-XX	15	2.184	55.47	2.324	59.03
31XX-3-116-XX	16	2.340	59.44	2.480	62.99
31XX-3-117-XX	17	2.496	63.40	2.636	66.95
31XX-3-118-XX	18	2.652	67.36	2.792	70.92
31XX-3-119-XX	19	2.808	71.32	2.948	74.88
31XX-3-120-XX	20	2.964	75.29	3.104	78.84
31XX-3-121-XX	21	3.120	79.25	3.260	82.80
31XX-3-122-XX	22	3.276	83.21	3.416	86.77
31XX-3-123-XX	23	3.432	87.17	3.572	90.73
31XX-3-124-XX	24	3.588	91.14	3.728	94.69

Pin Number	Dim. A.		Dim. B		Dim. E	
	Inch	MM	Inch	MM	Inch	MM
17	.172	4.37	.46	11.68	.171	4.34
18	.700	17.78	.49	12.45	.144	3.66
25	.172	4.37	.625	15.88	.162	4.11