

SPECIFICATIONS

Mechanical

Mating Force: 0.75N max.
Unmating Force: 0.15N min.
Durability: 250 Cycles

Electrical

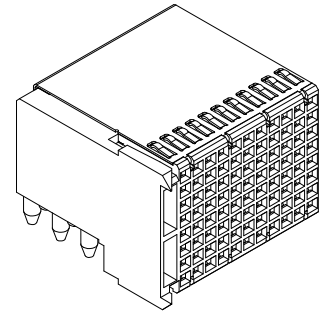
Voltage Rating: 500V r.m.s.
Current Rating: 1A
Contact Resistance: 30mΩ max.
Dielectrical Withstanding Voltage: 1000V
Insulation Resistance: 1000MΩ min.

Physical

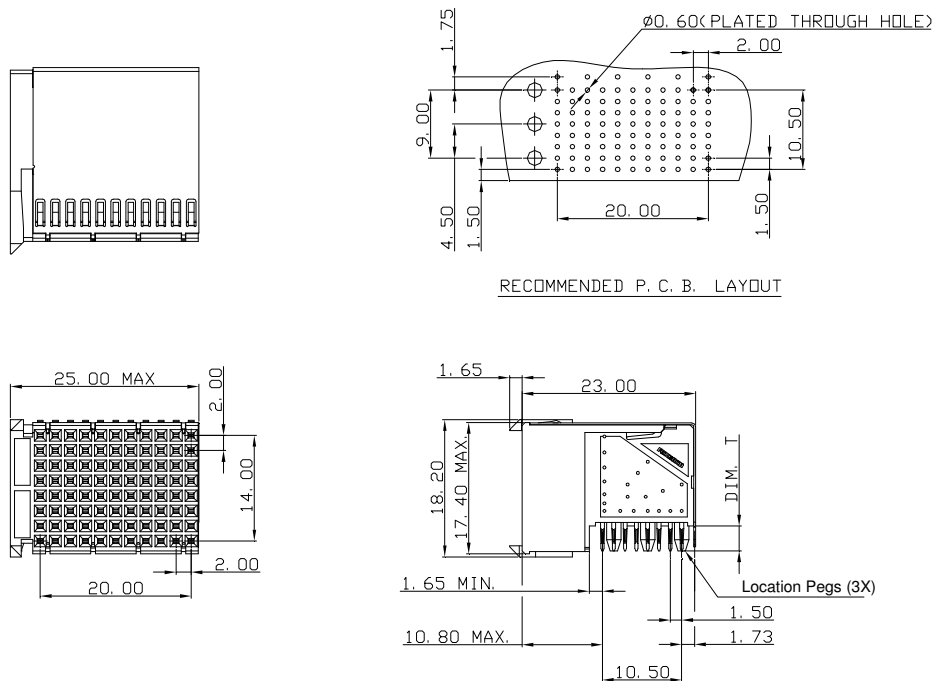
Housing: LCP, UL 94-0 rated, Ivory White
Contact: Phosphor Bronze
Plating: See "ORDERING INFORMATION"

HARD METRIC CONNECTOR

2H Series
Rec., Type F
2.0mm [.078"] Pitch
8 Rows



DRAWING



ORDERING INFORMATION

PRODUCT NO.: 2 H 2 8 1 1 * * - * F * 0 2

Location Pegs
 0=W/O Location Pegs
 1=W/ Location Pegs

Mating Area Plating
 3=30u" FTP

Tail Length(T)
 2=3.3mm

Extension Code
 N=Normal Plating, Tin Lead.
 E=Normal Plating, Lead Free