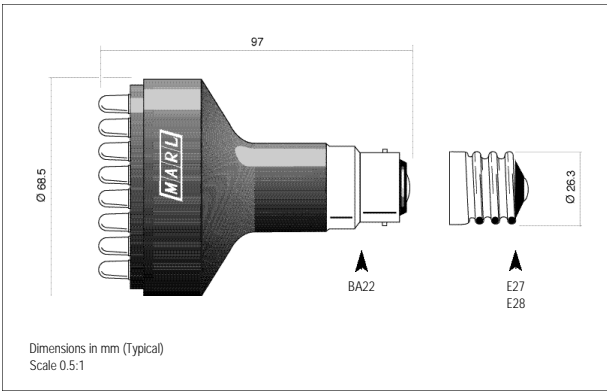


FILAMENT REPLACEMENT LEDs - MULTI-LED CLUSTER



- 20 LED cluster
- Optional polycarbonate lens
- Bi-polar



216/217/218 SERIES

MLQ = 1



Ordering Information & Typical Technical Characteristics (Ta = 25°C)

Mean Time Between Failure = 100,000 Hours. Luminous intensity figures refer to a single unmodified discrete LED.

PART NUMBER	COLOUR	LENS	VOLTAGE AC/DC Vopr	CURRENT DC Iopr	LUMINOUS INTENSITY Iv@20mA	WAVE LENGTH p	VIEWING ANGLE	OPERATING TEMP Topr	STORAGE TEMP Tstg				
HIGH INTENSITY													
216-501-22-65	Red	Water Clear	24	80	2750	660	Narrow	-10 ~ +40	-10 ~ +40				
216-521-22-65	Yellow		24	80	4500	590							
216-532-22-65	Green		24	80	6000	525							
216-930-22-65	Blue		24	80	2000	470							
216-997-22-65	White		24	80	3000	•							
216-501-24-65	Red		48	40	2750	660							
216-521-24-65	Yellow		48	40	4500	590							
216-532-24-65	Green		48	40	6000	525							
216-930-24-65	Blue		48	40	2000	470							
216-997-24-65	White		48	40	3000	•							
216-501-25-65	Red		110	20	2750	660							
216-521-25-65	Yellow		110	20	4500	590							
216-532-25-65	Green		110	20	6000	525							
216-930-25-65	Blue		110	20	2000	470							
216-997-25-65	White		110	20	3000	•							
UNITS				Vac/Vdc	mA	mcd				nm		°C	°C

• = Typical emission colour: x=0.31, y=0.32. Colour temperature 8000K.
 Intensities (Iv) and colour shades of white (x,y co-ordinates) may vary between LEDs within a batch.

To order the correct base style please change the first 3 digits of the part number as follows:
 216 Series - BA22 - UK standard base style
 217 Series - E27 - European standard base style
 218 Series - E26 - USA standard base style

Please note - This product is also available at 230Vac/Vdc. Please contact our Sales department for further details.

LED PRODUCTS CAN BE STATIC SENSITIVE