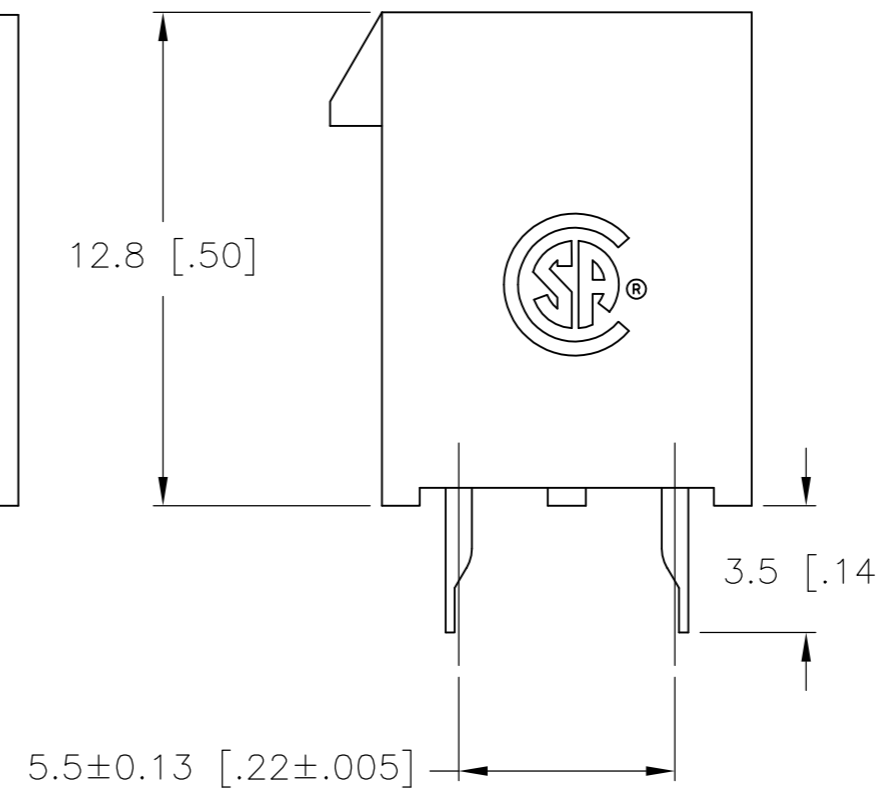
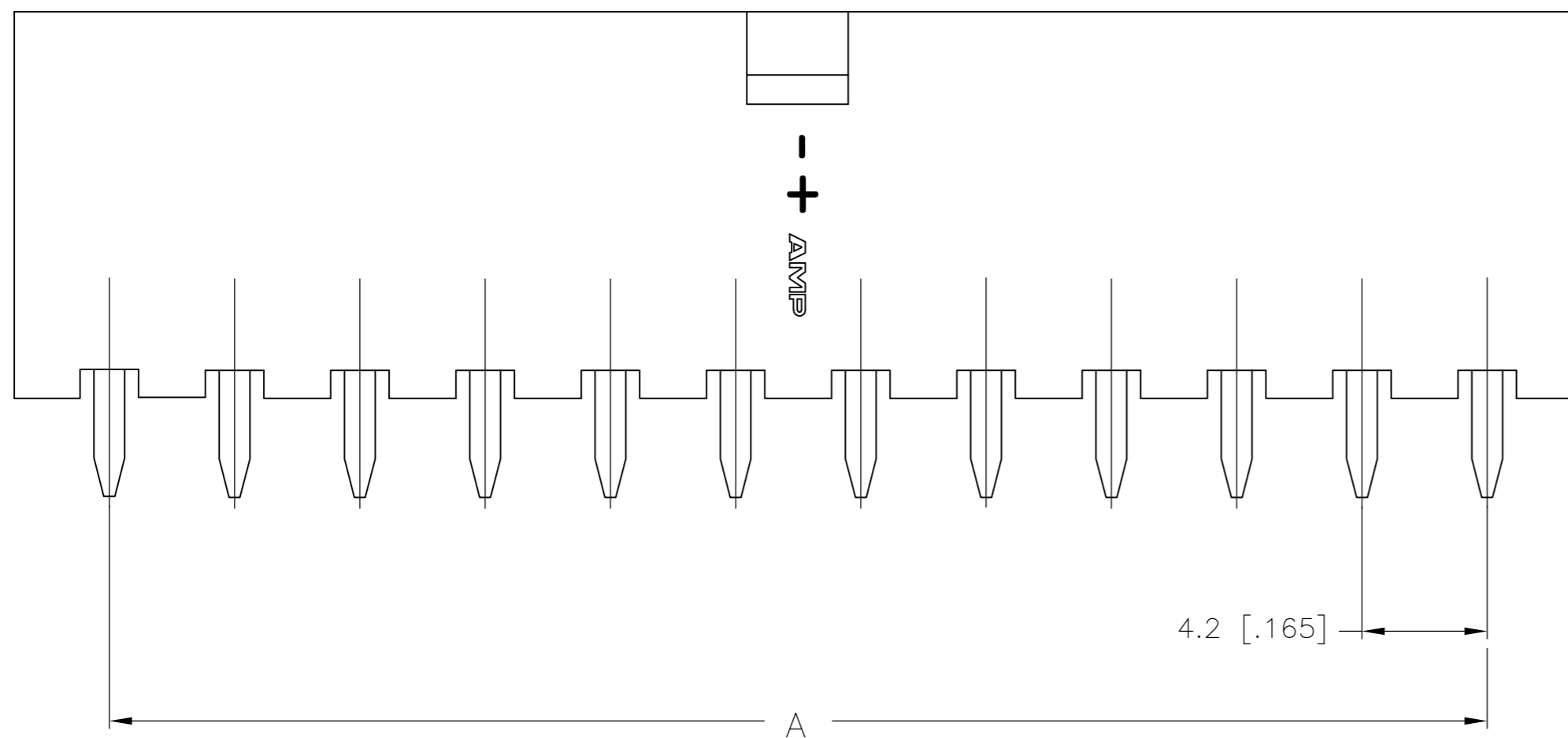
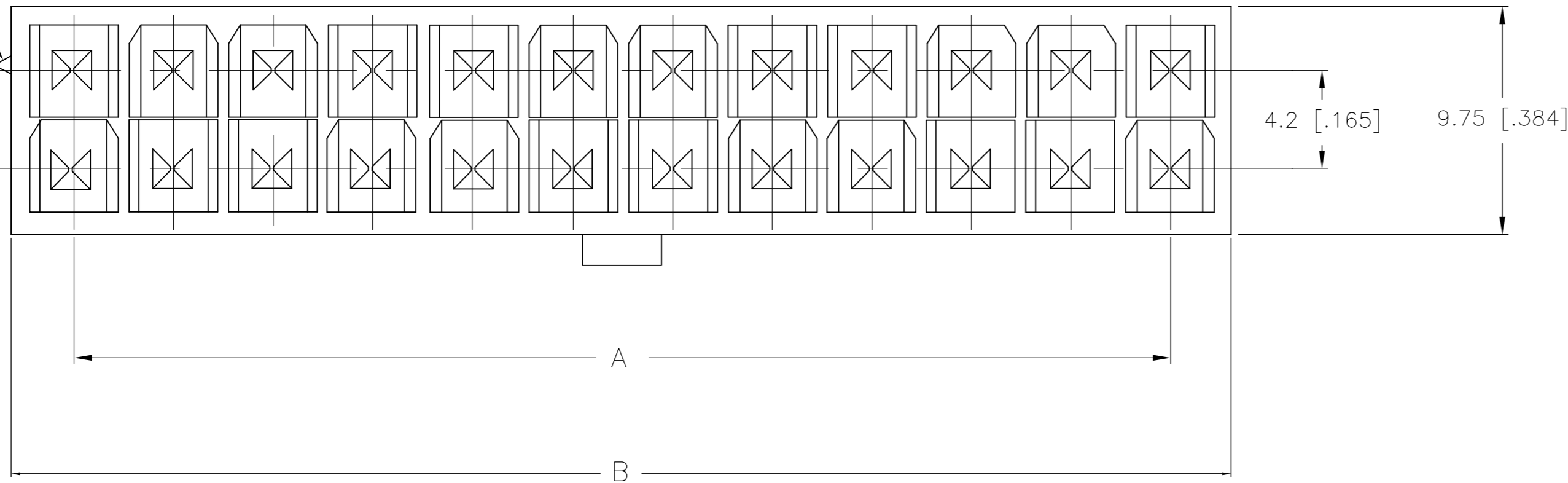


THIS DRAWING IS UNPUBLISHED. RELEASED FOR PUBLICATION  
 © COPYRIGHT BY TYCO ELECTRONICS CORPORATION. ALL RIGHTS RESERVED.

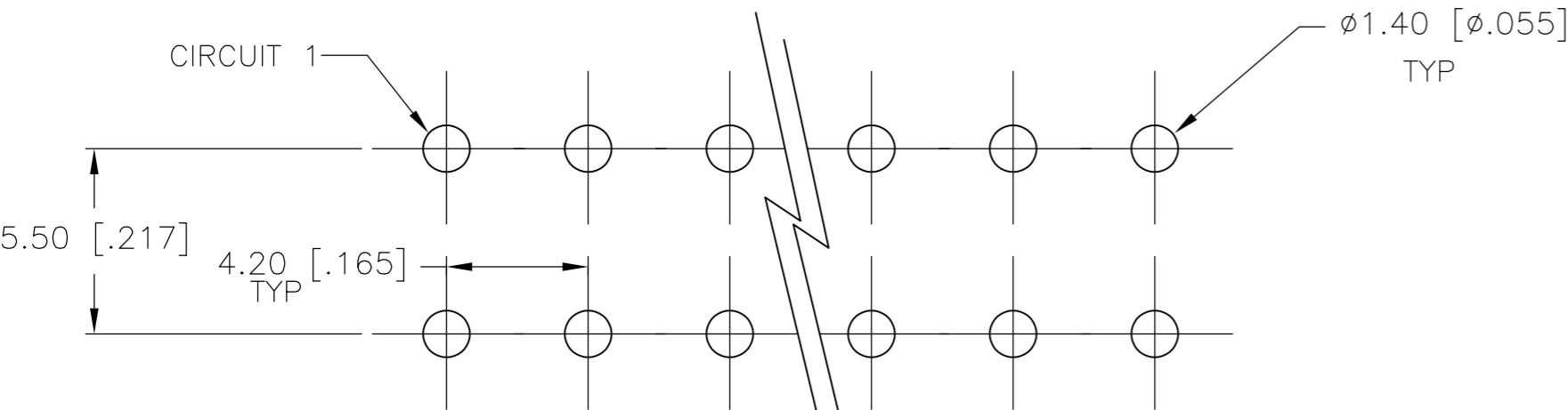
LOC	DIST	REVISIONS			
P	LTR	DESCRIPTION	DATE	DWN	APVD
CM	00	C	ECO-08-009438	15APR08	KW CC

POSITION 1  
IDENTIFICATION FEATURE

1 MATERIAL: HOUSING: NYLON, UL94V-0  
CONTACTS: BRASS, TIN-PLATED



24	46.2±0.25 [1.82±.01]	51.6 [2.03]	2-1586038-4
22	42.0±0.25 [1.65±.01]	47.4 [1.87]	2-1586038-2
20	37.8±0.25 [1.49±.01]	43.2 [1.70]	2-1586038-0
18	33.6±0.25 [1.32±.01]	39.0 [1.54]	1-1586038-8
16	29.4±0.25 [1.16±.01]	34.8 [1.37]	1-1586038-6
14	25.2±0.25 [.99±.01]	30.6 [1.21]	1-1586038-4
12	21.0±0.25 [.83±.01]	26.4 [1.04]	1-1586038-2
10	16.8±0.13 [.66±.005]	22.2 [.87]	1-1586038-0
8	12.6±0.13 [.50±.005]	18.0 [.71]	1586038-8
6	8.4±0.13 [.33±.005]	13.8 [.54]	1586038-6
4	4.2±0.13 [.17±.005]	9.6 [.38]	1586038-4
2		5.4 [.21]	1586038-2
POS	A	B±0.25[.01]	PART NUMBER



PCB LAYOUT: COMPONENT SIDE  
RECOMMENDED BOARD THICKNESS 1.60 [.063]

2-1586038-4 SHOWN

DIMENSIONS:		TOLERANCES UNLESS OTHERWISE SPECIFIED:		Tyco Electronics	
mm	[INCHES]	0 PLC	±	Tyco Electronics Corporation Harrisburg, PA 17105-3608	
		1 PLC	± 0.13 [.005]	WITH DRAIN HOLES VAL-U-LOK(TM)	
		2 PLC	± 0.25 [.01]	SIZE	CAGE CODE
		3 PLC	± -	A2	00779
		4 PLC	± -	SCALE	DRAWING NO
		ANGLES	±	10:1	C=1586038
MATERIAL	FINISH	WEIGHT		SHEET	REV
1		CUSTOMER DRAWING		1 of 1	C