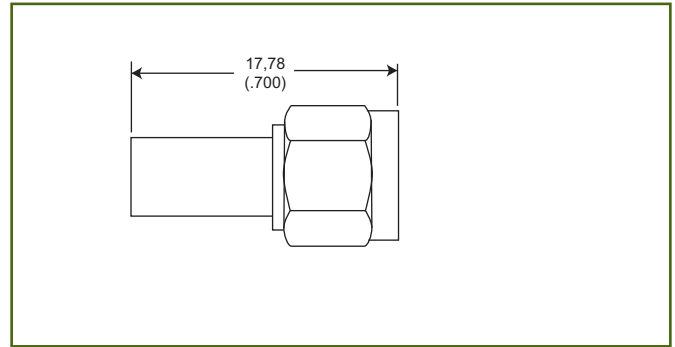


**CRIMP TYPE CABLE CONNECTORS FOR FLEXIBLE CABLE**

Straight Plug, Non-Captive Contact

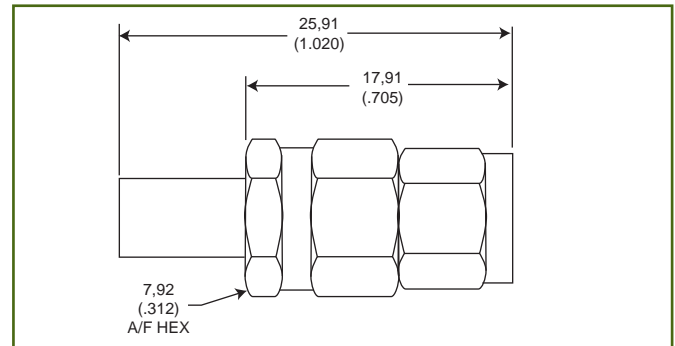
Part Number	Cable Numbers
050 - 622 - 9188890	RG174/U, 316/U
050 - 622 - 9875890	RD316



Assembly Instructions AI-102 (Page 43)

Straight Plug, Captive Contact

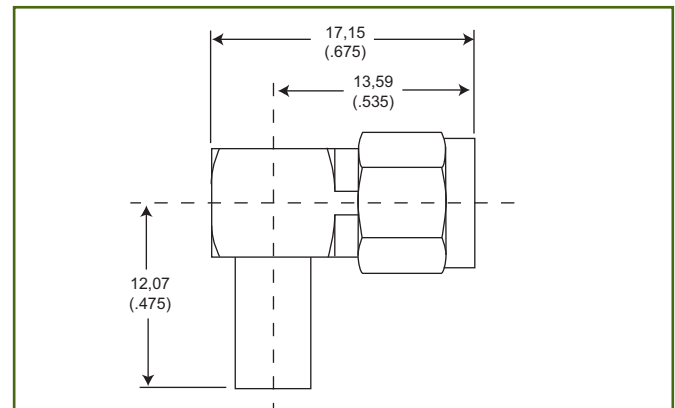
Part Number	Cable Numbers
A50 - 624 - 9188890	RG174/U, 316/U
A50 - 624 - 9875890	RD316



Assembly Instructions AI-703 (Page 51)

Right Angle Plug, Captive Contact

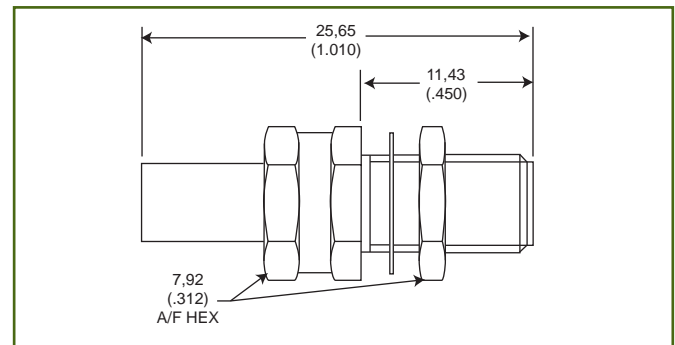
Part Number	Cable Numbers
050 - 628 - 9188890	RG174/U, 316/U
050 - 628 - 9875890	RD316



Assembly Instructions AI-90 (Page 41)

Bulkhead Jack, Captive Contact

Part Number	Cable Numbers
050 - 627 - 9188890	RG174/U, 316/U
050 - 627 - 9875890	RD316



Mounting Plan W (Page 40)  
Assembly Instructions AI-227 (Page 46)

The surface finish on these products is passivated stainless steel. For gold plated versions change last three digits of the the part number from 890 to 310.



Dimensions shown in mm (inch)  
Specifications and dimensions subject to change

www.ittcannon.com