

# 0deg. Splitter / Combiner

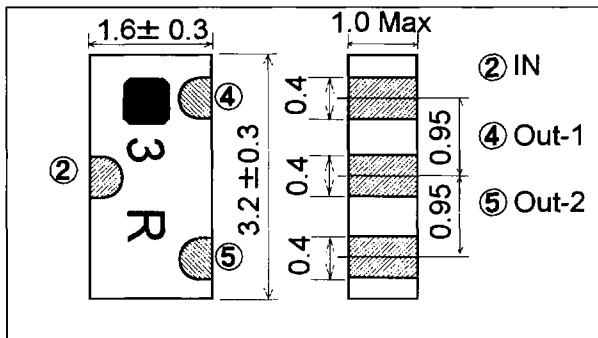
## Feature

- ◆ Small Size (3.2x1.6x1.0mm)
- ◆ 170MHz - 2GHz
- ◆ High Reliability
- ◆ Tape & Reel Packaging
- ◆ Reflow Solderable

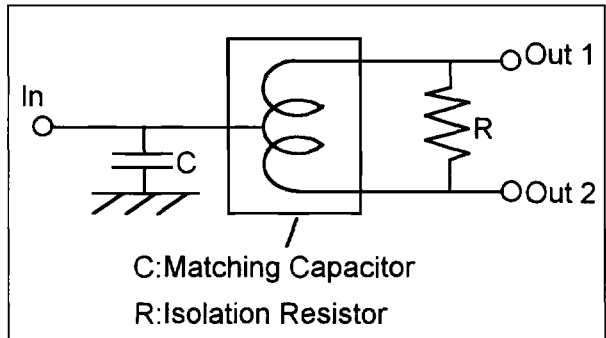
## Specification

Model No.	Freq. Range (MHz)	Matching Capacitor	Insertion Loss	Isolation	Temperature Range
STH-24R	170-190	20pF	1.0dB Max. (0.3dB Typ.)	12dB Min. (18dB Typ.)	-35~+85°C
	220-240	11pF			
STH-01R	700-900	3.0pF	1.0dB Max. (0.2dB Typ.)	12dB Min. (20dB Typ.)	
	850-950	2.5pF			
	900-1100	2.0pF			
STH-03R	1400-1600	1.5pF	1.0dB Max. (0.2dB Typ.)	12dB Min. (20dB Typ.)	
	1500-1900	1.0pF			

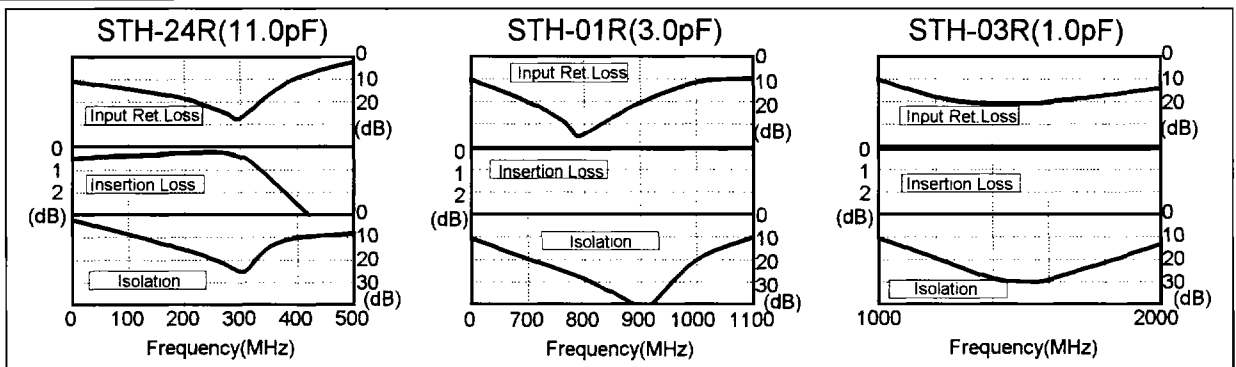
## Shape & Size (ex. STH-03R)



## Equivalent Circuits

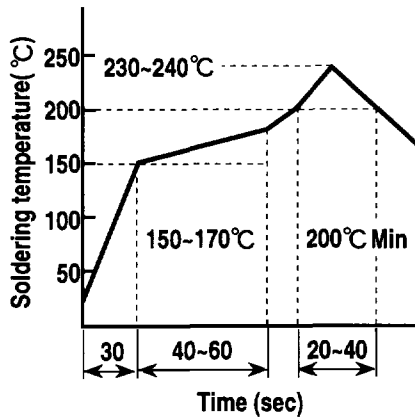


## Typical Data

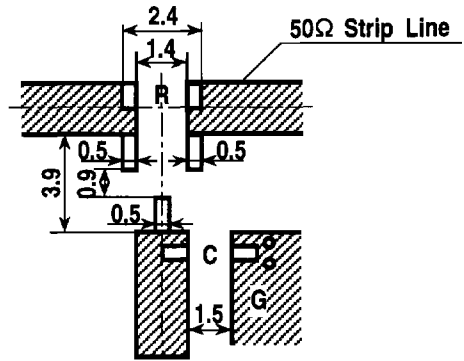


\*H1E5013\*

### Temperature profile of reflow soldering

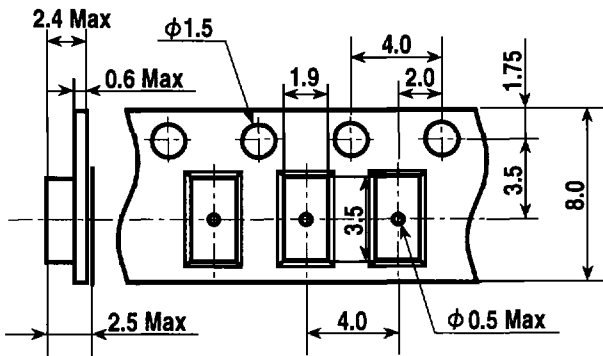


### Foot Pattern

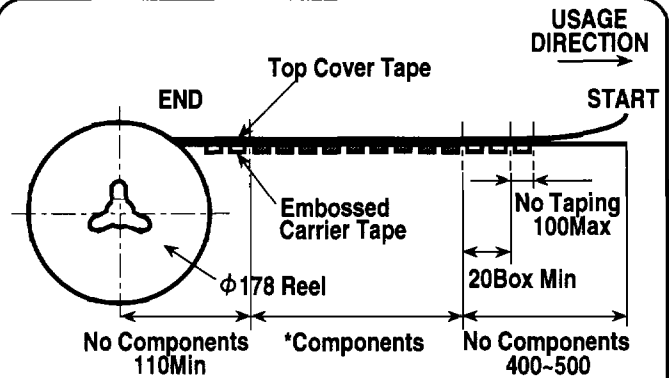


C: 2012TYPE  
R: 2012TYPE (1/10W)

### Embossed Carrier Tape Dimensions



### Package



\*Components  
• 3000pcs./reel  
• REFERENCE EIA-481 REVISION A

### Setting Direction

