

1A Low Dropout Voltage Regulator with Adjustable or Fixed Output

features

- Guaranteed 1A Output Current
- Adjustable Output Down to 1.2V
- Fixed Output Voltages 2.5V, 3.0V, 3.3V
- 1% and 2% Output Accuracy
- Low Dropout Voltage 1.1V typ.
- Extremely Tight Load and Line Regulation
- Current and Thermal Limiting
- Standard 3-Terminal Low Cost TO-220, TO-263, TO-252 and SOT-223

description

The SPX2810 is a low power, positive voltage regulator designed to supply up to 1A of output current. This device is an excellent choice for use in battery-powered applications and portable computers that require low dropout, fast transient responses. The SPX2810 features very low quiescent current and a very low dropout voltage of 1.2V at full load. This device is available with either an adjustable or a fixed 2.5V, 3.0V, or 3.3V output voltage.

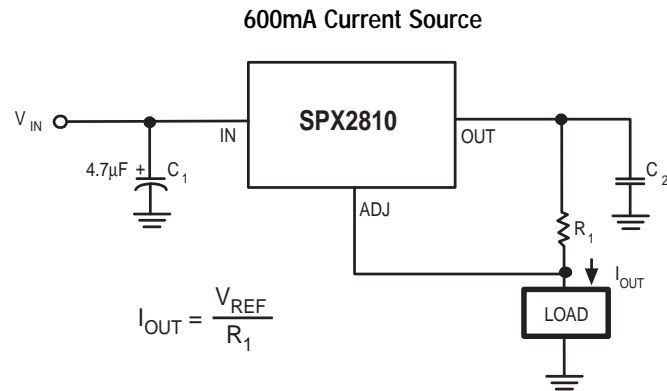
The SPX2810 is offered in industry standard 3-pin SOT-223, TO-220, TO-252 and TO-263 surface mount packages. An output capacitor of 10 μ F or larger, as required by most high current regulators, assures output stability.

P

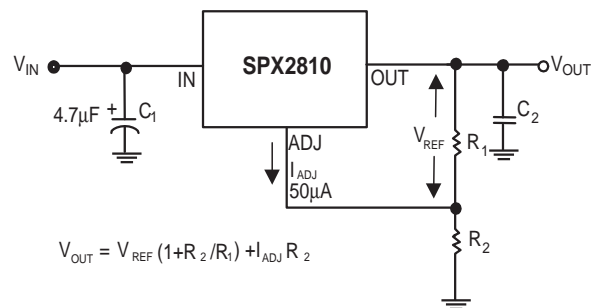
applications

- SCSI-II Active Terminator
- Portable Palmtop/Notebook Computers
- SMPS Post-Regulator
- Disk Drives
- Portable Consumer Equipment
- Portable Instrumentation
- Battery Chargers

typical application circuits

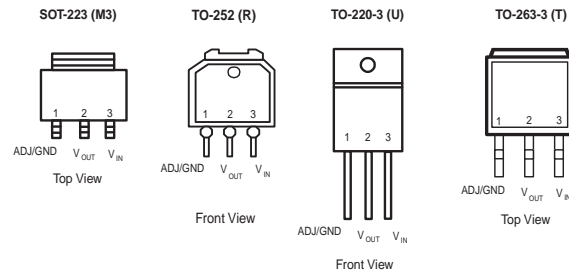


Typical Adjustable Regulator



SPX2810

packages



ordering information - Please consult the factory for pricing and availability on a Tape-On-Reel option.

Part Number	Accuracy	Output Voltage	Packages
SP2810AM3	1%	Adj.	3 Pin SOT-223
SP2810AM3-2.5	1%	2.5V	3 Pin SOT-223
SP2810AM3-3.0	1%	3.0V	3 Pin SOT-223
SP2810AM3-3.3	1%	3.3V	3 Pin SOT-223
SP2810AR	1%	Adj.	3 Pin TO-252
SP2810AR-2.5	1%	2.5V	3 Pin TO-252
SP2810AR-3.0	1%	3.0V	3 Pin TO-252
SP2810AR-3.3	1%	3.3V	3 Pin TO-252
SP2810AU	1%	Adj.	3 Pin TO-220
SP2810AU-2.5	1%	2.5V	3 Pin TO-220
SP2810AU-3.0	1%	3.0V	3 Pin TO-220
SP2810AU-3.3	1%	3.3V	3 Pin TO-220
SP2810AT	1%	Adj.	3 Pin TO-263
SP2810AT-2.5	1%	2.5V	3 Pin TO-263
SP2810AT-3.0	1%	3.0V	3 Pin TO-263
SP2810AT-3.3	1%	3.3V	3 Pin TO-263
SP2810M3	2%	Adj.	3 Pin SOT-223
SP2810M3-2.5	2%	2.5V	3 Pin SOT-223
SP2810M3-3.0	2%	3.0V	3 Pin SOT-223
SP2810M3-3.3	2%	3.3V	3 Pin SOT-223
SP2810R	2%	Adj.	3 Pin TO-252
SP2810R-2.5	2%	2.5V	3 Pin TO-252
SP2810R-3.0	2%	3.0V	3 Pin TO-252
SP2810R-3.3	2%	3.3V	3 Pin TO-252
SP2810U	2%	Adj.	3 Pin TO-220
SP2810U-2.5	2%	2.5V	3 Pin TO-220
SP2810U-3.0	2%	3.0V	3 Pin TO-220
SP2810U-3.3	2%	3.3V	3 Pin TO-220
SP2810T	2%	Adj.	3 Pin TO-263
SP2810T-2.5	2%	2.5V	3 Pin TO-263
SP2810T-3.0	2%	3.0V	3 Pin TO-263
SP2810T-3.3	2%	3.3V	3 Pin TO-263