

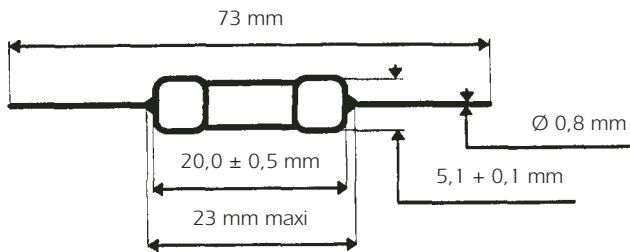


Axial leads 5x20 250V - FC "AL" Fast Acting

BETWEEN 0,16 TO 10A

Electricals characteristics :
according to IEC 127-2 Standard Sheet 1

Dimensions



Sand-filled fuses
Max weight : 1,5 g



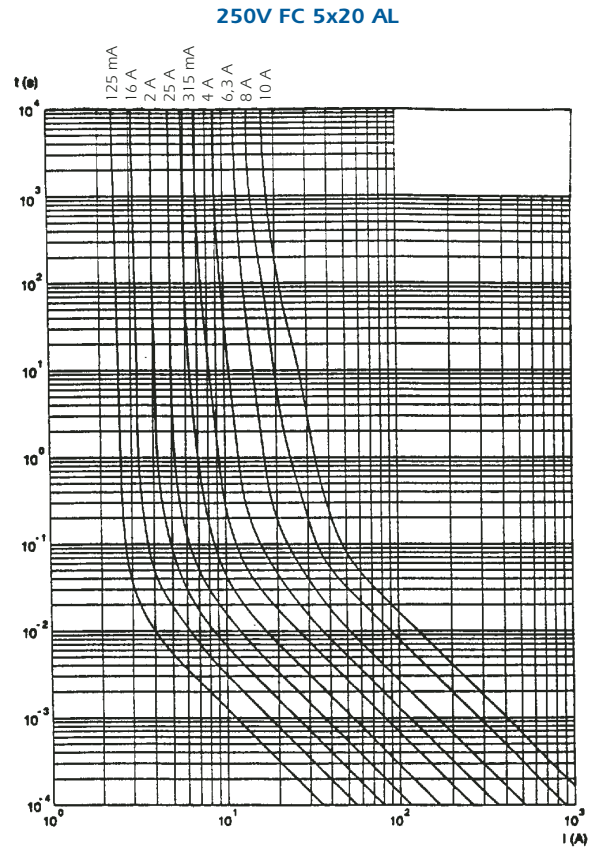
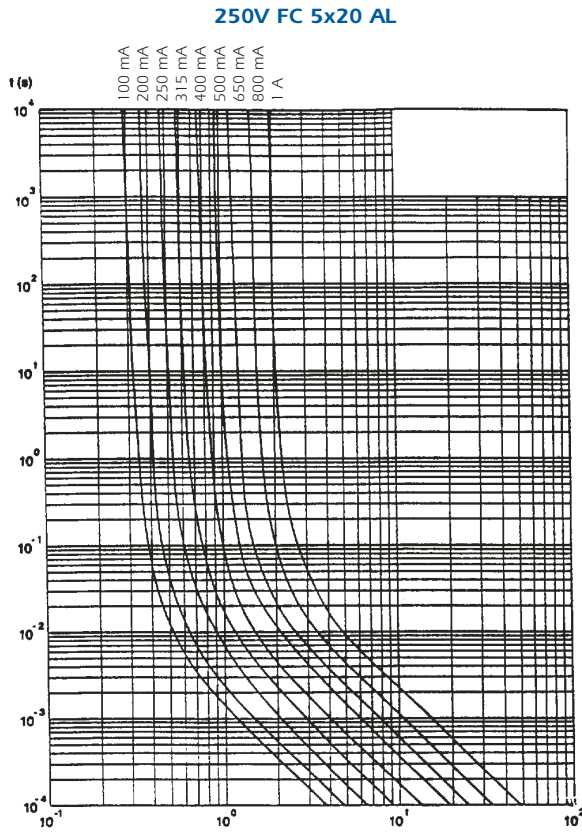
Basic Characteristics

Size	Rated Voltage	Rated Current	Breaking Capacity	[I ² t] Pre-arcing	[I ² t] Total clearing at 250 V	Max voltage drop at I _n	Designation	Reference Number	Catalog Number
mm	VAC	A		A ² s		V			
5 x 20	250	0,160	Along IEC 127 1500 A @ 250 VAC cos φ ≥ 0,7	0,0011	0,0025	1,6	250V FC 0,160 A 5x20 AL	L205032	MI5FCP25V0,16
		0,200		0,0018	0,004	1,45	250V FC 0,200 A 5x20 AL	M205033	MI5FCP25V0,20
		0,250		0,0035	0,008	1,3	250V FC 0,250 A 5x20 AL	N205034	MI5FCP25V0,25
		0,315		0,0072	0,016	1,15	250V FC 0,315 A 5x20 AL	E206061	MI5FCP25V0,31
		0,400		0,015	0,032	1,1	250V FC 0,400 A 5x20 AL	F206062	MI5FCP25V0,4
		0,500		0,032	0,066	1	250V FC 0,500 A 5x20 AL	P205035	MI5FCP25V0,5
		0,630		0,052	0,082	0,45	250V FC 0,630 A 5x20 AL	H206064	MI5FCP25V0,63
		0,800		0,098	0,16	0,4	250V FC 0,800 A 5x20 AL	G206063	MI5FCP25V0,8
		1,000		0,2	0,32	0,37	250V FC 1,000 A 5x20 AL	Q205036	MI5FCP25V1
		1,250		0,11	0,35	0,55	250V FC 1,250 A 5x20 AL	R205037	MI5FCP25V1,25
		1,600		0,28	0,55	0,42	250V FC 1,600 A 5x20 AL	S205038	MI5FCP25V1,6
		2,000		0,55	1,2	0,38	250V FC 2,000 A 5x20 AL	T205039	MI5FCP25V2
		2,500		1,1	2,4	0,34	250V FC 2,500 A 5x20 AL	V205040	MI5FCP25V2,5
		3,150		2,5	5	0,28	250V FC 3,150 A 5x20 AL	W205041	MI5FCP25V3,15
		4,000		6,1	12	0,23	250V FC 4,000 A 5x20 AL	X205042	MI5FCP25V4
		5,000		11	22	0,21	250V FC 5,000 A 5x20 AL	Y205043	MI5FCP25V5
6,300	25	45	0,18	250V FC 6,300 A 5x20 AL	Z205044	MI5FCP25V6,3			
8	72	130	0,13	250V FC 8,000 A 5x20 AL	A205045	MI5FCP25V8			
10	150	270	0,11	250V FC 10,00 A 5x20 AL	B205046	MI5FCP25V10			

These fuses are not SEMKO approved. IEC 127 doesn't take into account 5x20 fuses with axial leads.

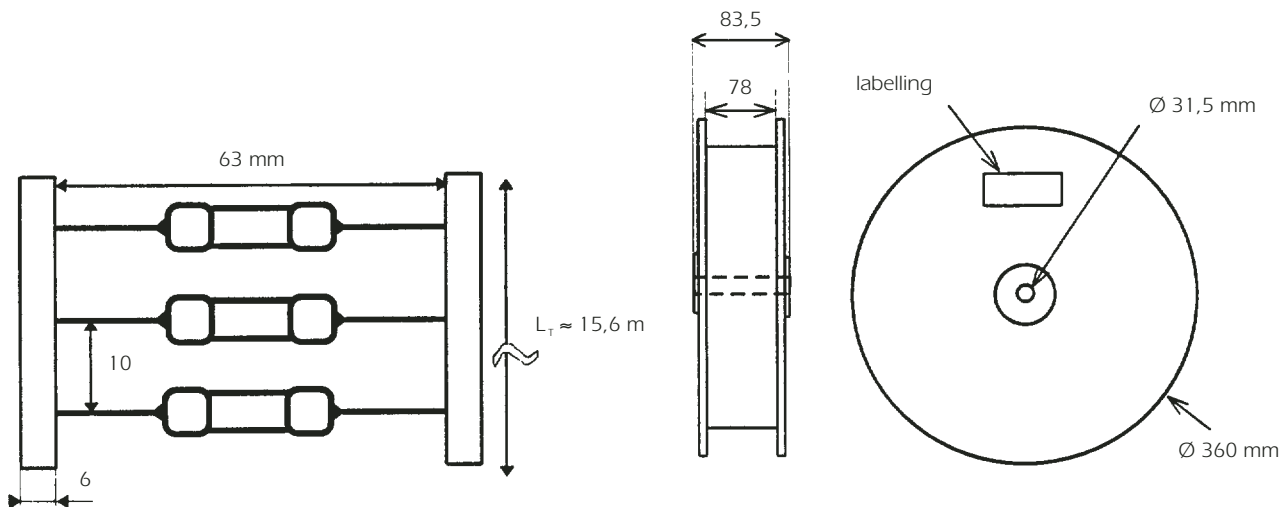
Axial leads 5x20 250V - FC "AL" Fast Acting

Time-current characteristics



I margin $\pm 12\%$. Actual prearcing time(s). R.M.S. Value of prearcing current (A).

Packaging: in tape per 2000 pieces



Installation instruction

Soldering heat resistance : according IEC 68-2-20 / 260°C for 10 seconds.

Material:

Body: ceramic tube

Connection: Tin plated copper