



# Low-Voltage, Single-Supply Analog Multiplexers/Switches

MAX4524L/MAX4525L

## General Description

The MAX4524L/MAX4525L are low-voltage, single-supply CMOS analog switches configured as a 4-channel multiplexer/demultiplexer (MAX4524L) and a double-pole/double-throw (DPDT) switch (MAX4525L). The MAX4524L/MAX4525L have an inhibit input to simultaneously open all switches.

These devices operate from a single supply of +2V to +12V. They are optimized for operation with a +12V supply. The on-resistance is 100Ω with a +12V supply. Each switch can handle Rail-to-Rail® analog signals. Off-leakage current measures only 2nA at +25°C. All digital inputs have 0.8V to 2.0V logic thresholds to ensure TTL/CMOS-logic compatibility when using a +12V supply.

## Features

- ◆ +3V Logic-Compatible Inputs ( $V_{IH} = 2.0V$ ,  $V_{IL} = 0.8V$ )
- ◆ +2V to +12V Supply Operation
- ◆ 100Ω On-Resistance with +12V Supply
- ◆ Guaranteed 10Ω On-Resistance Match at +12V
- ◆ Guaranteed 2nA Maximum Off-Leakage at +12V
- ◆ TTL/CMOS-Logic Compatible
- ◆ Tiny 10-Pin TDFN (3mm × 3mm) and 10-Pin μMAX Packages

## Applications

- Audio and Video Signal Routing
- Data-Acquisition Systems
- Communications Circuits
- Automotive
- DSL Modems

## Ordering Information

PART	TEMP RANGE	PIN-PACKAGE	TOP MARK
MAX4524LEUB	-40°C to +85°C	10 μMAX	—
MAX4524LETB	-40°C to +85°C	10 TDFN (3mm x 3mm)	AAL
MAX4525LEUB	-40°C to +85°C	10 μMAX	—
MAX4525LETB	-40°C to +85°C	10 TDFN (3mm x 3mm)	AAM

## Pin Configurations/Functional Diagrams/Truth Tables

TOP VIEW

MAX4524L			
INH	ADDB	ADDA	ON SWITCH
1	X	X	NONE
0	0	0	COM-NO0
0	0	1	COM-NO1
0	1	0	COM-NO2
0	1	1	COM-NO3

MAX4525L		
INH	ADDB	ON SWITCH
1	X	NONE
0	0	COMA-NCA, COMB-NCB
0	1	COMA-NOA, COMB-NOB

Rail-to-Rail is a registered trademark of Nippon Motorola, Ltd.



# Low-Voltage, Single-Supply Analog Multiplexers/Switches

## ABSOLUTE MAXIMUM RATINGS

(All Voltages Referenced to GND, Unless Otherwise Noted.)  
 V+ .....-0.3V to +13V  
 Voltage at Any Pin (Note 1) .....-0.3V to (V+ + 0.3V)  
 Continuous Current into Any Terminal .....±20mA  
 Peak Current NO\_, NC\_ or COM\_  
 (pulsed at 1ms, 10% duty cycle) .....±40mA  
 ESD per Method 3015.7 .....>2000V

Continuous Power Dissipation (T<sub>A</sub> = +70°C)  
 10-Pin μMAX (derate 5.6mW/°C above +70°C) .....444mW  
 10-Pin TDFN (derate 24.4mW/°C above +70°C) .....1951mW  
 Operating Temperature Range  
 MAX452\_E\_ .....-40°C to +85°C  
 Storage Temperature Range .....-65°C to +150°C  
 Junction Temperature .....+150°C  
 Lead Temperature (soldering, 10s) .....+300°C

**Note 1:** Voltages exceeding V+ or GND on any signal terminal are clamped by internal diodes. Limit forward-diode current to maximum current rating.

Stresses beyond those listed under "Absolute Maximum Ratings" may cause permanent damage to the device. These are stress ratings only, and functional operation of the device at these or any other conditions beyond those indicated in the operational sections of the specifications is not implied. Exposure to absolute maximum rating conditions for extended periods may affect device reliability.

## ELECTRICAL CHARACTERISTICS—Single +12V Supply

(V+ = 12V ±5%, GND = 0V, V<sub>IH</sub> = 2.0V, V<sub>IL</sub> = 0.8V, T<sub>A</sub> = T<sub>MIN</sub> to T<sub>MAX</sub>, unless otherwise noted. Typical values are at T<sub>A</sub> = +25°C.)  
 (Notes 2, 3)

PARAMETER	SYMBOL	CONDITIONS	TEMP	MIN	TYP	MAX	UNITS
<b>ANALOG SWITCH</b>							
Analog Signal Range	V <sub>COM</sub> , V <sub>NO_</sub>		-40°C to +85°C	0		V+	V
COM-NO/NC On-Resistance	R <sub>ON</sub>	V+ = 11.4V, I <sub>COM</sub> = 1mA, V <sub>COM</sub> = 10V	+25°C		45	80	Ω
			-40°C to +85°C			100	
COM-NO/NC On-Resistance Match Between Channels	ΔR <sub>ON</sub>	V+ = 11.4V, I <sub>COM</sub> = 1mA, V <sub>COM</sub> = 10V (Note 4)	+25°C		2	10	Ω
			-40°C to +85°C			15	
COM-NO/NC On-Resistance Flatness	R <sub>FLAT</sub>	V+ = 11.4V, I <sub>COM</sub> = 1mA, V <sub>COM</sub> = 1.5V, 6.0V, 10V (Note 5)	+25°C		5	12	Ω
NO/NC Off-Leakage	I <sub>NO(OFF)</sub> I <sub>NC(OFF)</sub>	V+ = 12.6V, V <sub>NO</sub> = 1.0V, 10V, V <sub>COM</sub> = 10V, 1.0V (Note 6)	+25°C	-2		+2	nA
			-40°C to +85°C	-10		+10	
COM Off-Leakage	I <sub>COM(OFF)</sub>	V+ = 12.6V, V <sub>NO</sub> = 1V, 10V; V <sub>COM</sub> = 10V, 1V (Note 6)	+25°C	-2		+2	nA
		MAX4524L	-40°C to +85°C	-50		+50	
		MAX4525L	+25°C	-2		+2	
		MAX4525L	-40°C to +85°C	-25		+25	
COM ON-Leakage	I <sub>COM(ON)</sub>	V+ = 12.6V, V <sub>COM</sub> = 10V, 1V (Note 6)	+25°C	-2		+2	nA
		MAX4524L	-40°C to +85°C	-50		+50	
		MAX4525L	+25°C	-2		+2	
		MAX4525L	-40°C to +85°C	-25		+25	
<b>DIGITAL I/O (INH, ADD_)</b>							
Logic-Input Threshold High	V <sub>IH</sub>		-40°C to +85°C		1.5	2.0	V
Logic-Input Threshold Low	V <sub>IL</sub>		-40°C to +85°C	0.8	1.5		V
Input Current High	I <sub>IH</sub>	V <sub>ADD_</sub> = V <sub>INH</sub> = 2.0V	+25°C	-1		+1	μA
Input Current Low	I <sub>IL</sub>	V <sub>ADD_</sub> = V <sub>INH</sub> = 0.8V	+25°C	-1		+1	μA

# Low-Voltage, Single-Supply Analog Multiplexers/Switches

MAX4524L/MAX4525L

## ELECTRICAL CHARACTERISTICS—Single +12V Supply (continued)

(V+ = 12V ±5%, GND = 0V, V<sub>IH</sub> = 2.0V, V<sub>IL</sub> = 0.8V, T<sub>A</sub> = T<sub>MIN</sub> to T<sub>MAX</sub>, unless otherwise noted. Typical values are at T<sub>A</sub> = +25°C.)  
(Notes 2, 3)

PARAMETER	SYMBOL	CONDITIONS	TEMP	MIN	TYP	MAX	UNITS
<b>SWITCH DYNAMIC CHARACTERISTICS</b>							
Inhibit Turn-On Time	t <sub>ON</sub>	V <sub>NO_</sub> = 10V, R <sub>L</sub> = 300Ω, C <sub>L</sub> = 35pF, Figure 1	+25°C	90	150	200	ns
			-40°C to +85°C				
Inhibit Turn-Off Time	t <sub>OFF</sub>	V <sub>NO_</sub> = 10V, R <sub>L</sub> = 300Ω, C <sub>L</sub> = 35pF, Figure 1	+25°C	40	120	180	ns
			-40°C to +85°C				
Address Transition Time	t <sub>TRANS</sub>	V <sub>NO_</sub> = 10V, R <sub>L</sub> = 300Ω, C <sub>L</sub> = 35pF, Figure 2	+25°C	90	150	200	ns
			-40°C to +85°C				
Break-Before-Make Time	t <sub>BBM</sub>	V <sub>NO</sub> = 10V, R <sub>L</sub> = 300Ω, C <sub>L</sub> = 35pF, Figure 3	+25°C	20			ns
Charge Injection	Q	C = 1nF, Figure 4 (Note 7)	+25°C	0.8			pC
NO/NC Off-Capacitance	C <sub>NO(OFF)</sub>	V <sub>NO_</sub> = 0V, f = 1MHz, Figure 5	+25°C	4			pF
COM Off-Capacitance	C <sub>COM(OFF)</sub>	V <sub>NO_</sub> = 0V, f = 1MHz, Figure 5	MAX4524L	+25°C	14		pF
			MAX4525L	+25°C	6		
COM On-Capacitance	C <sub>COM(ON)</sub>	V <sub>NO_</sub> = 0V, f = 1MHz, Figure 5	MAX4524L	+25°C	20		pF
			MAX4525L	+25°C	12		
Off-Isolation	V <sub>ISO</sub>	R <sub>L</sub> = 50Ω, f = 1MHz, Figure 6	+25°C	92			dB
Channel-to-Channel Crosstalk (MAX4525L)	V <sub>CT</sub>	R <sub>L</sub> = 50Ω, f = 1MHz, Figure 6	+25°C	96			dB
On-Channel -3dB Bandwidth	BW	Figure 6	+25°C	200			MHz
Total Harmonic Distortion	THD	R <sub>L</sub> = 600Ω, V <sub>COM</sub> = 2.5V <sub>P-P</sub> , 20Hz to 20kHz BW	+25°C	0.02			%
<b>POWER SUPPLY</b>							
Power-Supply Range	V+		-40°C to +85°C	2	12.6		V
Power-Supply Current	I+	V+ = 12.6V, V <sub>ADD_</sub> = V <sub>INH</sub> = V+ or 0V	+25°C	-1	+1		μA
			-40°C to +85°C	-10	+10		

**Note 2:** The TDFN package is production tested at T<sub>A</sub> = +25°C. Limits over temperature are guaranteed by design.

**Note 3:** The algebraic convention used in this data sheet is where the most negative value is a minimum column.

**Note 4:** ΔR<sub>ON</sub> = R<sub>ON(MAX)</sub> - R<sub>ON(MIN)</sub>.

**Note 5:** Flatness is defined as the difference between the maximum and minimum value of on-resistance as measured over the specified analog signal ranges.

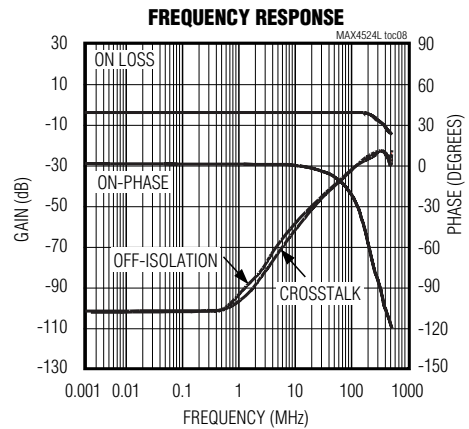
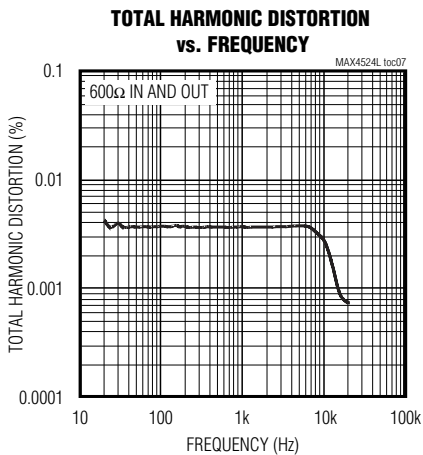
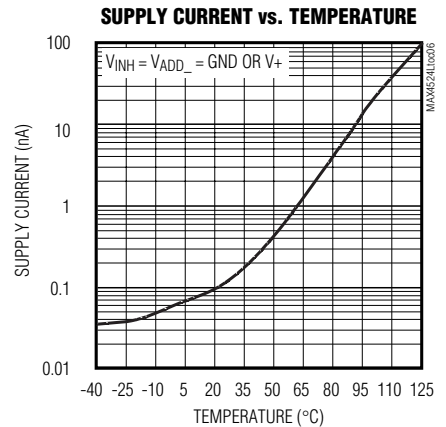
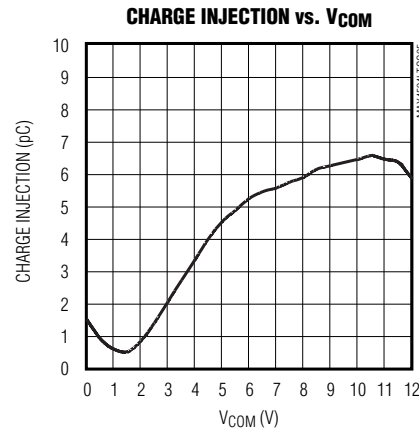
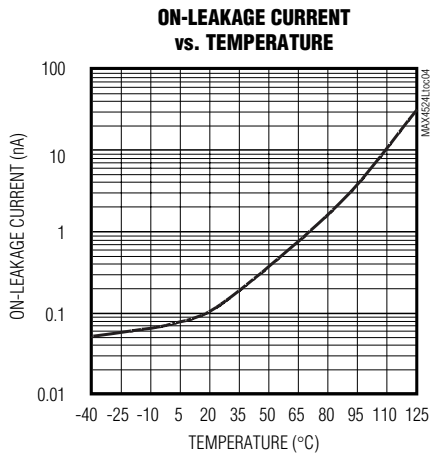
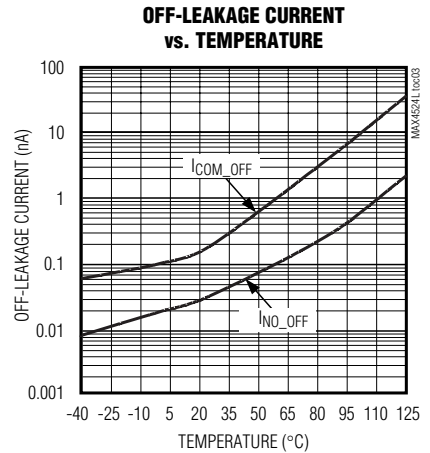
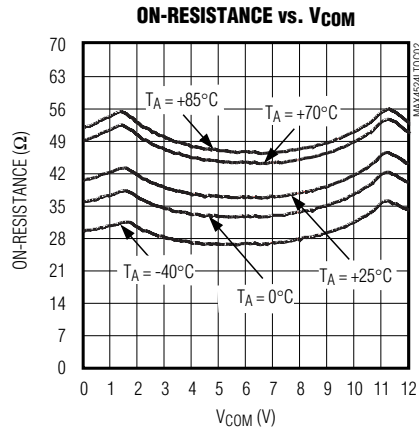
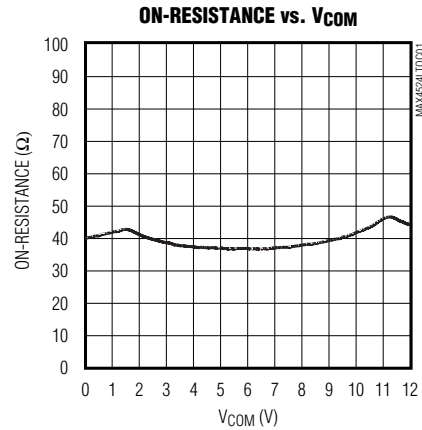
**Note 6:** Leakage parameters are 100% tested at maximum-rated hot operating temperature and guaranteed by design at T<sub>A</sub> = +25°C.

**Note 7:** Guaranteed by design, not production tested.

# Low-Voltage, Single-Supply Analog Multiplexers/Switches

## Typical Operating Characteristics

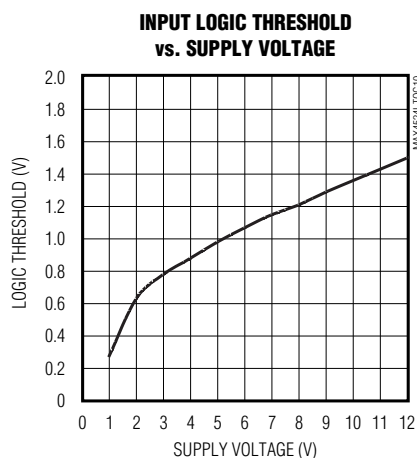
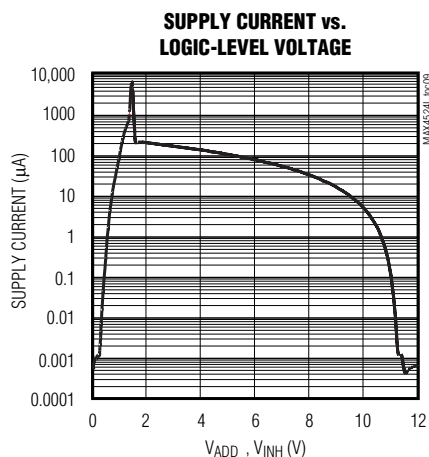
( $V_+ = 12V$ ,  $V_{INH} = GND$ ,  $T_A = +25^\circ C$ , unless otherwise noted.)



# Low-Voltage, Single-Supply Analog Multiplexers/Switches

## Typical Operating Characteristics (continued)

(V+ = 12V, V<sub>INH</sub> = GND, T<sub>A</sub> = +25°C, unless otherwise noted.)



## Pin Description

PIN		NAME	FUNCTION
MAX4524L	MAX4525L		
1	—	NO2	Analog Switch Normally Open Input 2
—	1	NOA	Analog Switch A Normally Open Input
2	—	NO3	Analog Switch Normally Open Input 3
—	2	COMA	Analog Switch A Common
3	—	NO1	Analog Switch Normally Open Input 1
—	3	NCA	Analog Switch A Normally Closed Input
4	4	INH	Inhibit. Drive INH low or connect to GND for normal operation. Drive INH high or connect to V+ to turn all switches off.
5	5	GND	Ground. Connect to digital ground (analog signals have no ground reference, but are limited to V+ and GND).
6	—	ADDB	Logic-Level Address Input (see <i>Truth Tables</i> )
—	6	ADD	Logic-Level Address Input (see <i>Truth Tables</i> )
7	—	ADDA	Logic-Level Address Input (see <i>Truth Tables</i> )
—	7	NCB	Analog Switch B Normally Closed Input
8	—	NO0	Analog Switch Normally Open Input 0
—	8	NOB	Analog Switch B Normally Open Input
9	—	COM	Analog Switch Common
—	9	COMB	Analog Switch A Common
10	10	V+	Positive Analog and Digital Supply Voltage. Bypass with a 0.1µF capacitor to GND.
EP	EP	Exposed PAD	The bottom of the IC (TDFN package only) contains an exposed pad that must be tied externally to V+.

# Low-Voltage, Single-Supply Analog Multiplexers/Switches

## Detailed Description

The MAX4524L/MAX4525L are low-voltage, single-supply CMOS analog switches that operate from a single supply of +2V to +12V. Operation with a +12V supply optimizes the performance by reducing their on-resistance to 100Ω. The MAX4524L is configured as a 4-channel multiplexer/demultiplexer and the MAX4525L is a double-pole/double-throw (DPDT) switch. These devices have an inhibit input (INH) to simultaneously open all signal paths. Each switch can handle rail-to-rail analog signals. The off-leakage current is typically only 0.1nA at +25°C and 10nA (max) over temperature. All digital inputs have 0.8V to 2.0V logic-level thresholds, ensuring TTL/CMOS-logic compatibility when using a single +12V supply.

## Applications Information

### Power-Supply Considerations

The MAX4524L/MAX4525L's construction is typical of most CMOS analog switches. The supply input, V+, is used to power the internal CMOS switches and set the limits of the analog voltage on any switch. Reverse ESD protection diodes are internally connected between each analog signal pin and both V+ and GND. If any

analog signal exceeds V+ or goes below GND, one of these diodes conducts. During normal operation, these reverse-biased ESD diodes leak, forming the only current drawn from V+ or GND. Virtually all the analog leakage current comes from the ESD diodes. Although the ESD diodes on a given signal pin are identical, and therefore fairly well balanced, they are reverse biased differently. Each is biased by either V+ or GND and the analog signal. This means that leakage varies as the signal varies. The difference in the two diode leakages to the V+ and GND pins constitutes the analog signal-path leakage current. All analog leakage current flows between each pin and one of the supply terminals, not to the other switch terminal. This is why both sides of a given switch can show leakage currents of either the same or opposite polarity.

There is no connection between the analog signal paths and GND. V+ and GND power the internal logic and logic-level translators, and set both the input and output logic limits. The logic-level translators convert the logic levels into switched V+ and GND signals to drive the gates of the analog signals. This drive signal is the only connection between the logic supplies (and signals) and the analog supplies.

## Test Circuits/Timing Diagrams

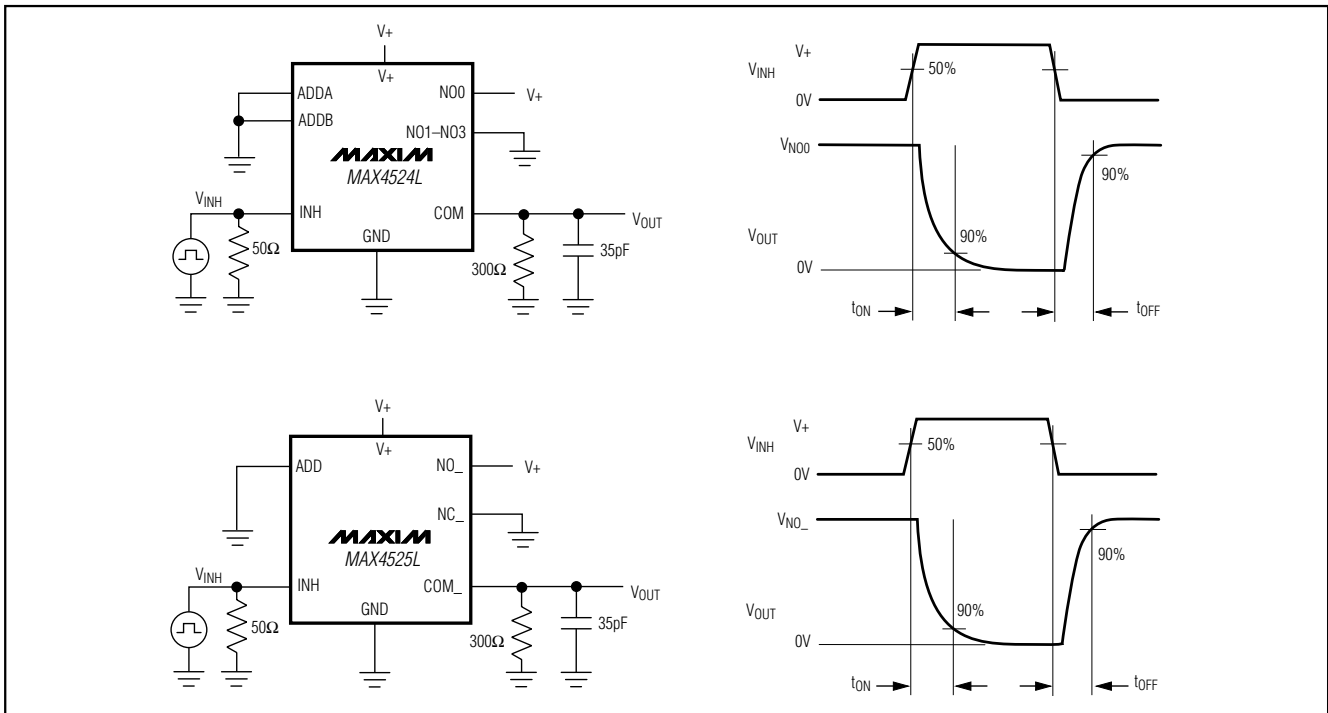


Figure 1. Inhibit Switching Times

# Low-Voltage, Single-Supply Analog Multiplexers/Switches

## Test Circuits/Timing Diagrams (continued)

MAX4524L/MAX4525L

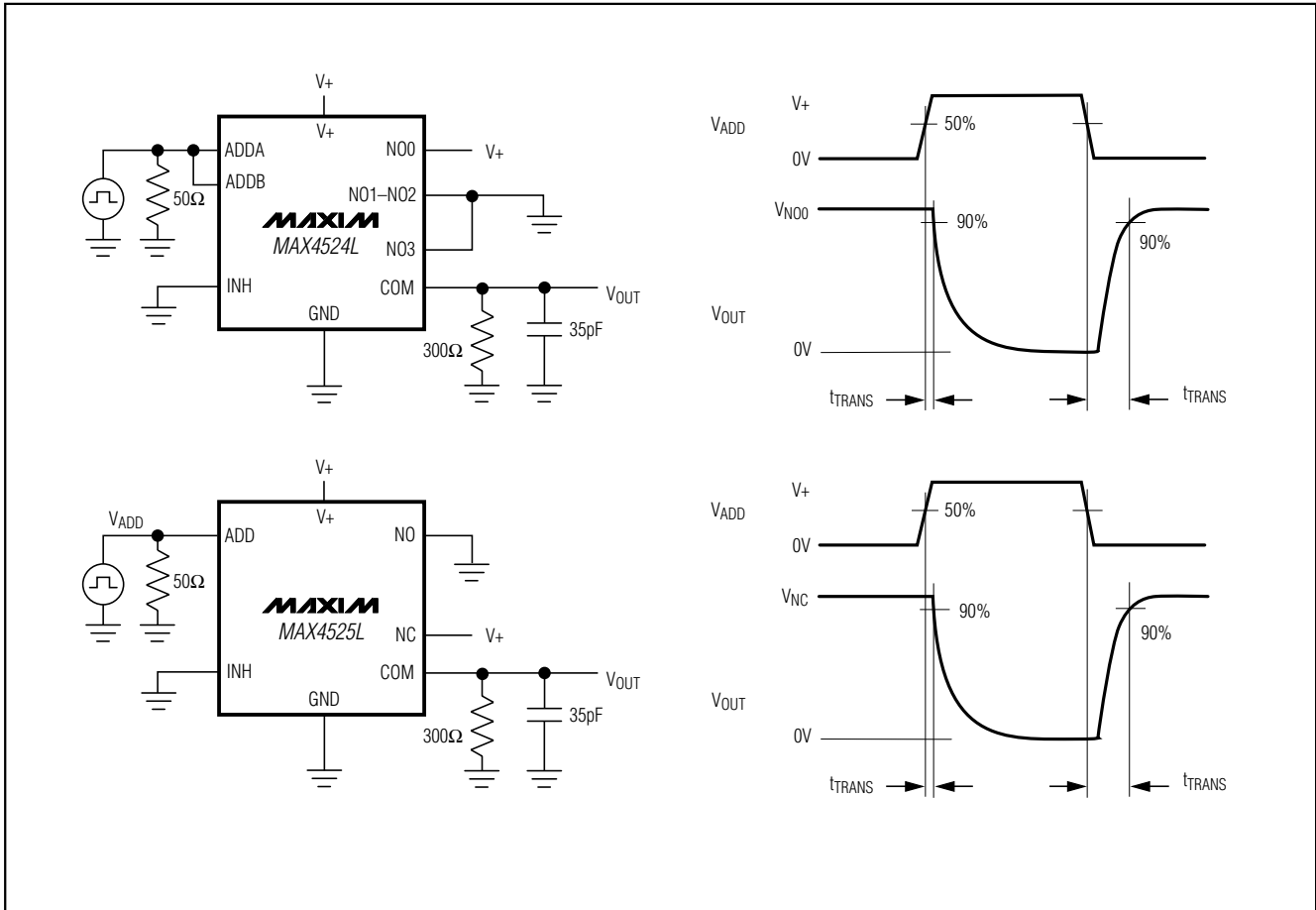


Figure 2. Address Transition Time

# Low-Voltage, Single-Supply Analog Multiplexers/Switches

## Test Circuits/Timing Diagrams (continued)

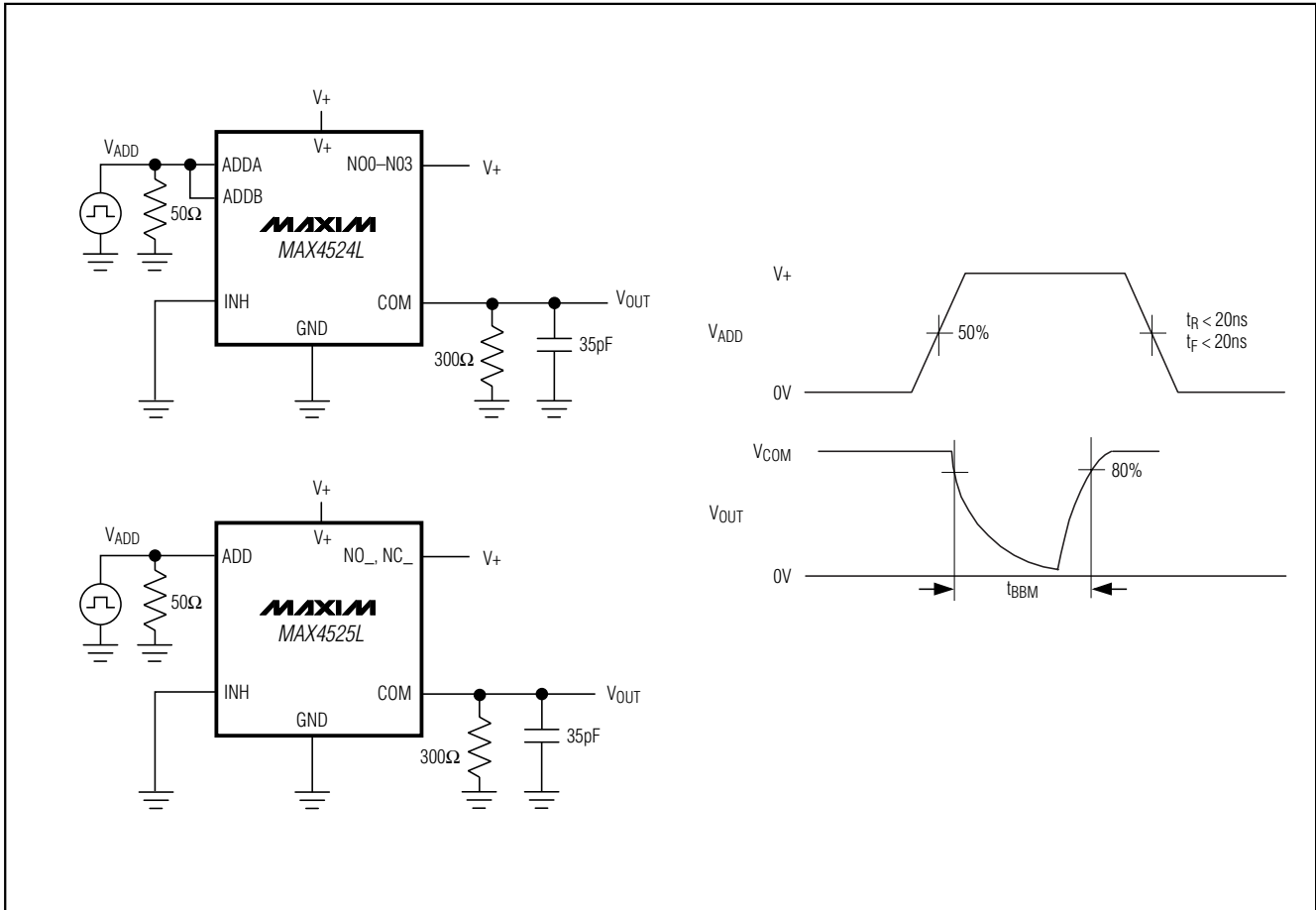


Figure 3. Break-Before-Make Interval

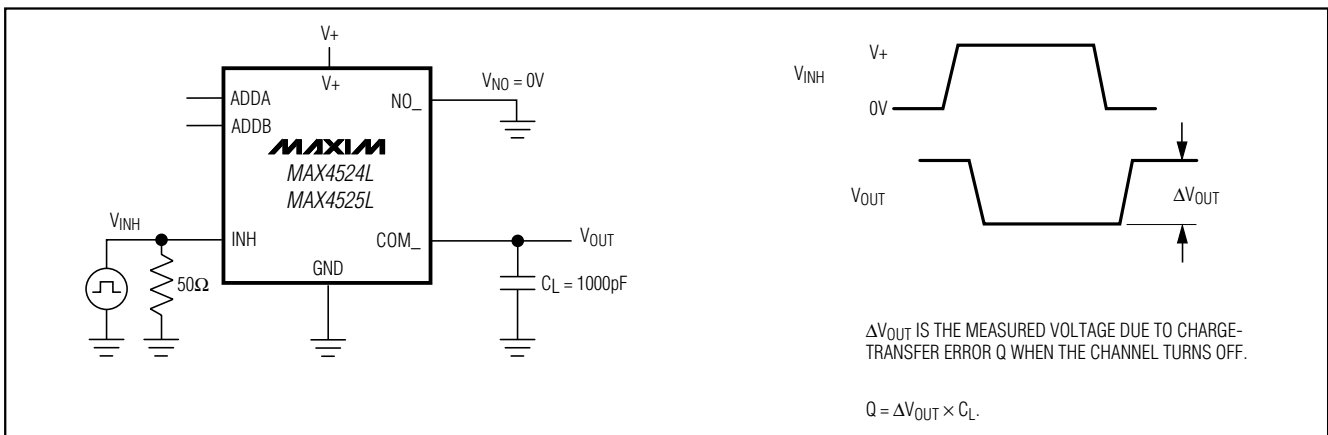


Figure 4. Charge Injection



# Low-Voltage, Single-Supply Analog Multiplexers/Switches

## Test Circuits/Timing Diagrams (continued)

MAX4524L/MAX4525L

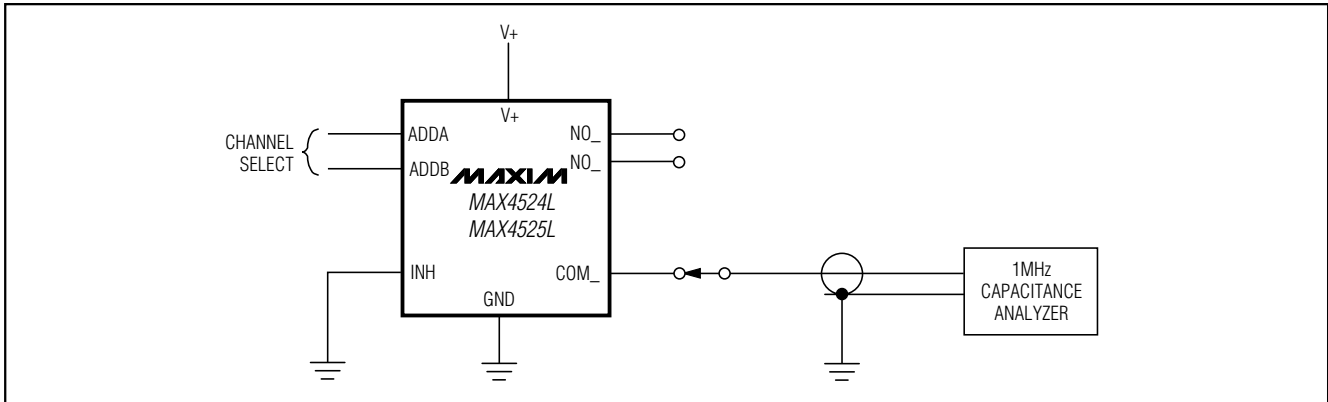


Figure 5. NO/COM Capacitance

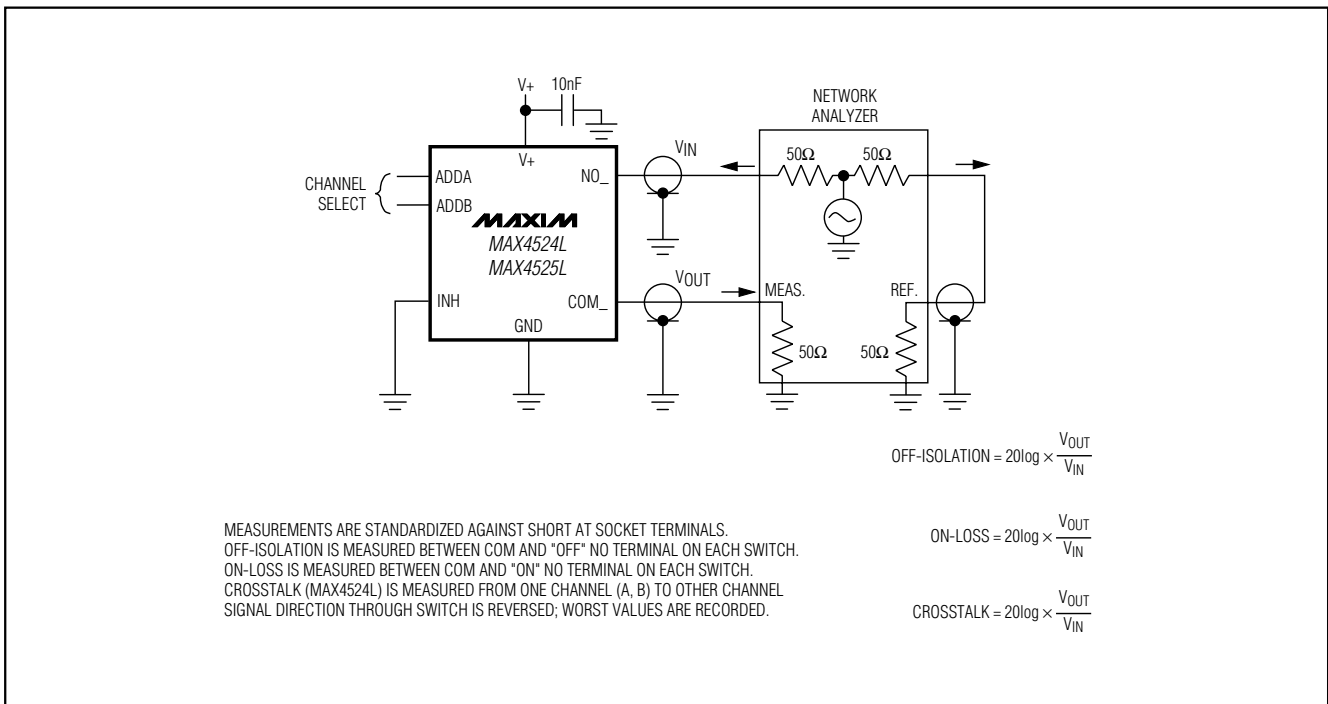


Figure 6. Off-Isolation, On-Loss, and Crosstalk

### Chip Information

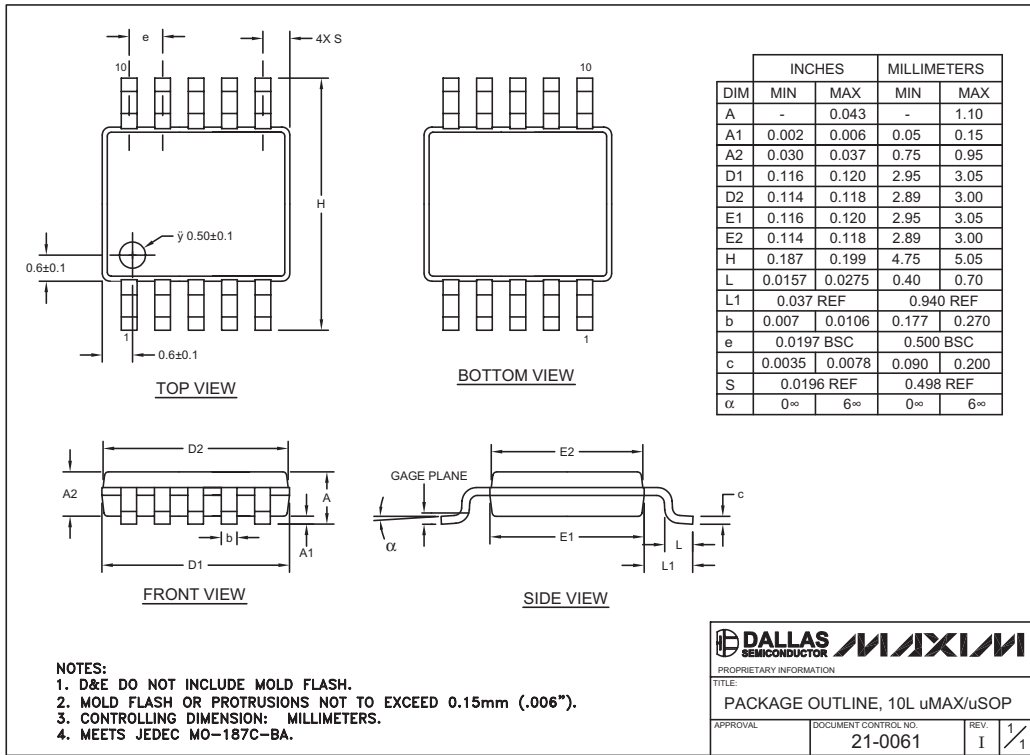
TRANSISTOR COUNT: 219

PROCESS: CMOS

# Low-Voltage, Single-Supply Analog Multiplexers/Switches

## Package Information

(The package drawing(s) in this data sheet may not reflect the most current specifications. For the latest package outline information go to [www.maxim-ic.com/packages](http://www.maxim-ic.com/packages).)



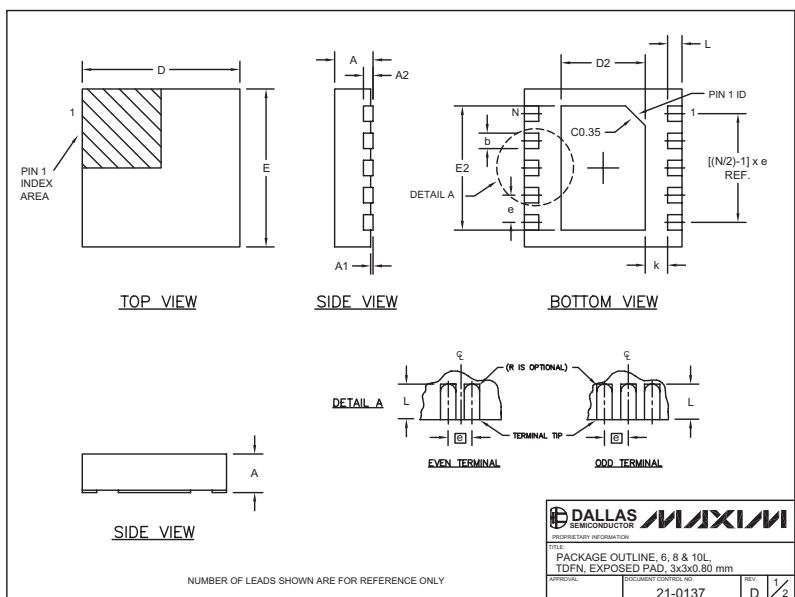
10LUMAXEPS

# Low-Voltage, Single-Supply Analog Multiplexers/Switches

## Package Information (continued)

(The package drawing(s) in this data sheet may not reflect the most current specifications. For the latest package outline information go to [www.maxim-ic.com/packages](http://www.maxim-ic.com/packages).)

MAX4524L/MAX4525L



COMMON DIMENSIONS			
SYMBOL	MIN.	MAX.	
A	0.70	0.80	
D	2.90	3.10	
E	2.90	3.10	
A1	0.00	0.05	
L	0.20	0.40	
k	0.25 MIN.		
A2	0.20 REF.		

PACKAGE VARIATIONS							
PKG. CODE	N	D2	E2	e	JEDEC SPEC	b	[(N/2)-1] x e
T633-1	6	1.50±0.10	2.30±0.10	0.95 BSC	MO229 / WEEA	0.40±0.05	1.90 REF
T833-1	8	1.50±0.10	2.30±0.10	0.65 BSC	MO229 / WEEC	0.30±0.05	1.95 REF
T1033-1	10	1.50±0.10	2.30±0.10	0.50 BSC	MO229 / WEED-3	0.25±0.05	2.00 REF

NOTES:

- ALL DIMENSIONS ARE IN mm, ANGLES IN DEGREES.
- COPLANARITY SHALL NOT EXCEED 0.08 mm.
- WARRPAGE SHALL NOT EXCEED 0.10 mm.
- PACKAGE LENGTH/PACKAGE WIDTH ARE CONSIDERED AS SPECIAL CHARACTERISTIC(S).
- DRAWING CONFORMS TO JEDEC MO229, EXCEPT DIMENSIONS "D2" AND "E2".
- "N" IS THE TOTAL NUMBER OF LEADS.

<b>DALLAS SEMICONDUCTOR</b> <b>MAXIM</b>	
PROPRIETARY INFORMATION	
TITLE: PACKAGE OUTLINE, 6, 8 & 10L TDFN, EXPOSED PAD, 3x3x0.80 mm	
APPROVAL:	DOCUMENT CONTROL NO:
21-0137	REV: D 2/2

Maxim cannot assume responsibility for use of any circuitry other than circuitry entirely embodied in a Maxim product. No circuit patent licenses are implied. Maxim reserves the right to change the circuitry and specifications without notice at any time.

**Maxim Integrated Products, 120 San Gabriel Drive, Sunnyvale, CA 94086 408-737-7600** \_\_\_\_\_ 11