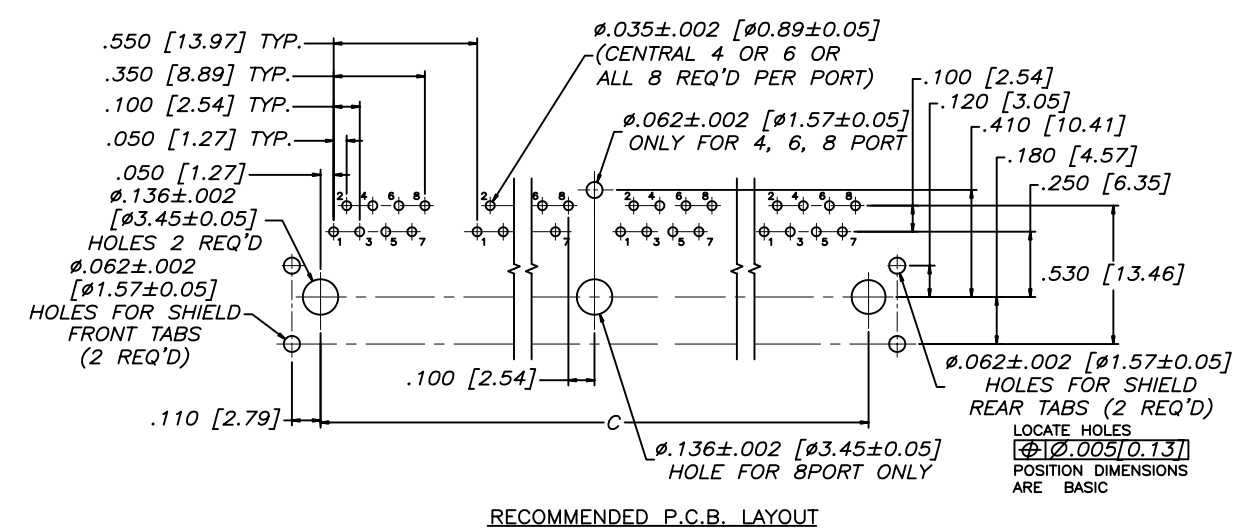
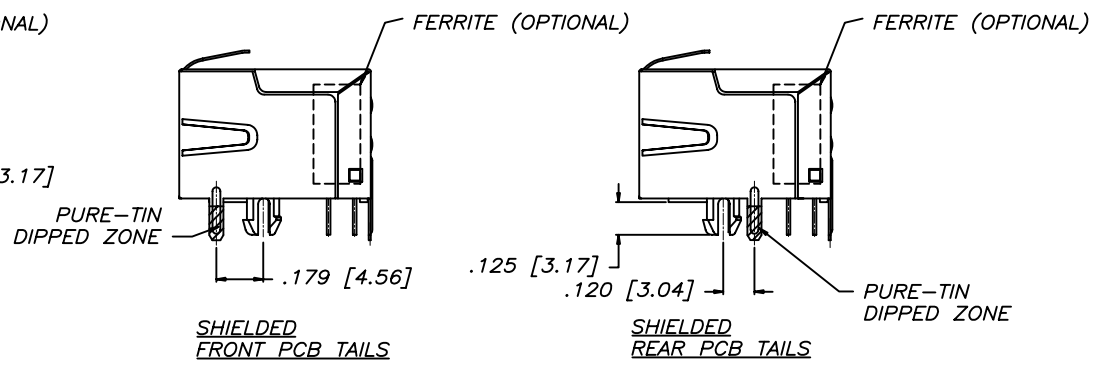
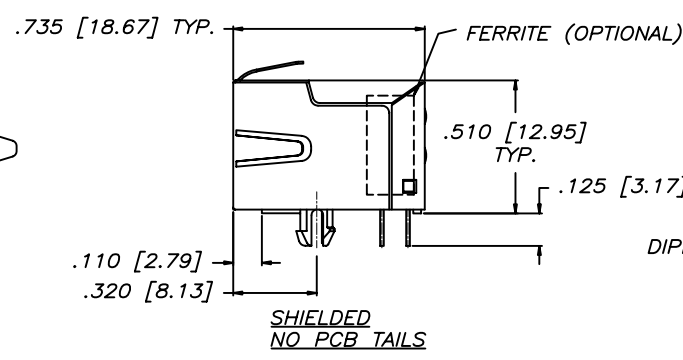
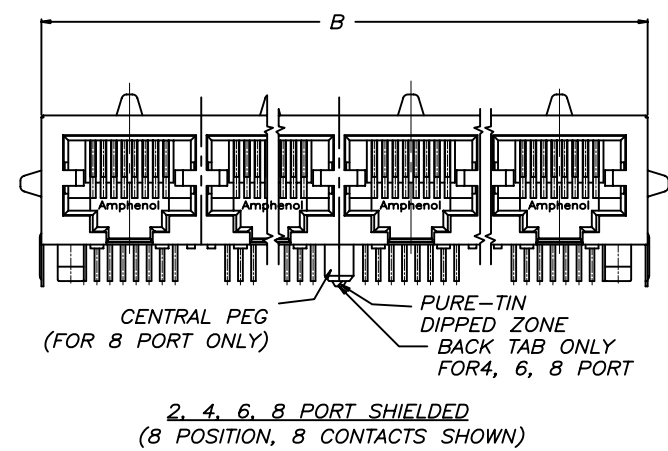
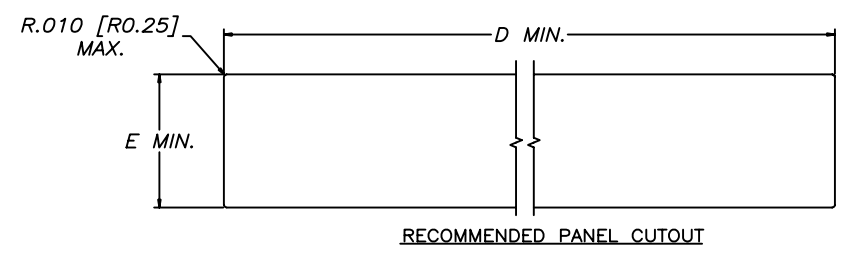
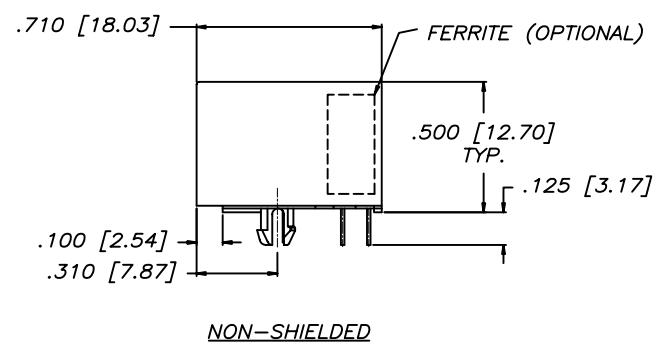
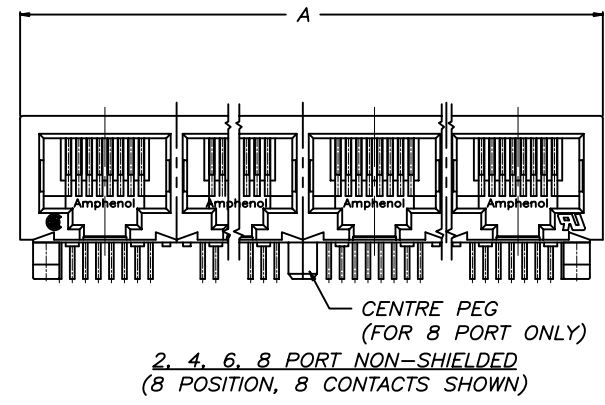


REVISIONS				
SYM	ZONE	ECN, ERN NO.	DATE	APPRD.
A		PROPOSAL	05/12/25	L.CHAN



FRJAE CONNECTOR NUMBER SYSTEM

EXAMPLE: FRJAE - XXX - 0X

SERIES: FRJAE

CONNECTOR STYLE & POSITIONS:
 4=RJ45 OR 8 POSITIONS
 6=RJ11 OR 6 POSITIONS

NO. OF PORTS:
 02 - 2 PORTS
 04 - 4 PORTS
 06 - 6 PORTS
 08 - 8 PORTS

NO. OF CONTACTS:
 8 - 8 POSITIONS
 6 - 6 POSITIONS
 4 - 4 POSITIONS
 2 - 2 POSITIONS
 C - 2 POSITIONS -(POS. 2 & 5, IN 6 POS.)
 -(POS. 3 & 6, IN 8 POS.)

OPTIONS:
 0=NON FILTERED, NON SHIELDED
 1=FILTERED WITH FRONT TAIL SHIELD
 3=SHIELD (FRONT TAIL)
 4=FILTERED
 6=FILTERED WITH REAR TAIL SHIELD
 7=FILTERED WITH NON-TAIL SHIELD
 8=SHIELD (REAR TAIL)
 9=SHIELD (NON-TAIL)

MATERIALS:
 PLASTIC HOUSING: HIGH TEMPERATURE THERMOPLASTIC
 FLAMMABILITY RATING UL 94V-0

CONTACTS:
 PHOSPHOR BRONZE
 PLATING: 50 μ " [1.27 MICRONS]
 MIN. GOLD ON MATING SURFACES.
 50 μ " [1.27 MICRONS]
 MIN. NICKEL UNDERPLATE
 GOLD FLASH ON CONTACT TAILS.

SHIELD:
 COPPER ALLOY
 PLATING: NICKEL WITH PURE-TIN DIPPED PCB TAIL.

Number of ports	A	B	C	D		E	
				WITH SHIELD	WITHOUT SHIELD	WITH SHIELD	WITHOUT SHIELD
2	1.200 [30.48]	1.230 [31.24]	1.000 [25.40]	1.241 [31.53]	1.215 [30.87]		
4	2.300 [58.42]	2.330 [59.18]	2.100 [53.34]	2.345 [59.57]	2.315 [58.81]		
6	3.400 [86.36]	3.430 [87.12]	3.200 [81.28]	3.445 [87.51]	3.415 [86.74]	.525 [13.33]	.515 [13.08]
8	4.500 [114.30]	4.530 [115.06]	4.300 [109.22]	4.541 [115.34]	4.515 [114.68]		

THIS DOCUMENT CONTAINS PROPRIETARY INFORMATION AND SUCH INFORMATION MAY NOT BE DISCLOSED TO OTHERS FOR ANY PURPOSE OR USED FOR MANUFACTURING PURPOSES WITHOUT WRITTEN PERMISSION FROM AMPHENOL CANADA CORP.

DRAWN PAULW	DATE 05/12/25	Amphenol Canada Corp.		
DESIGNED				
CHECKED CHIGOW	05/12/25	TITLE FRJAE ASSEMBLY, 6 POSITION & 8 POSITION, WITH OR WITHOUT FERRITES, 2, 4 & 8 PORTS, HIGH TEMP. MATERIAL SHIELDED OR UNSHIELDED - RoHS COMPLIANT		
I. E. APPRD.				
Q. A. APPRD.		DWG DRAWING NO.		REV.
DWG. APPRD.		P-FRJAE-XXX-0X		A
ENG. REL. NO.		SCALE	WT. -----	SURF. -----
REF.		SHEET 1 OF 1		
DIMENSIONS ARE IN INCHES [mm]	CODE ID. NO. 03554			