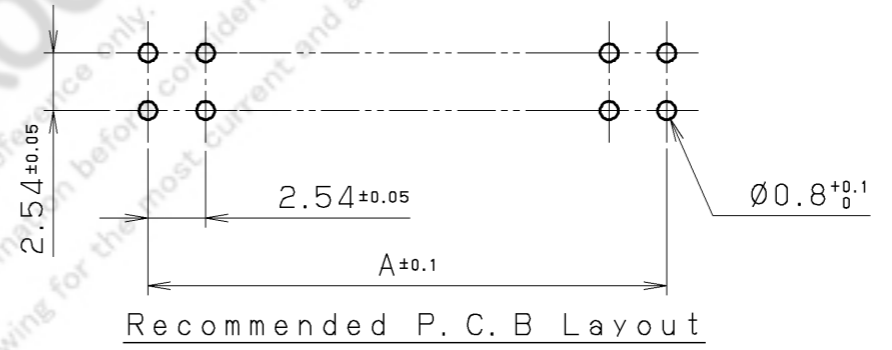
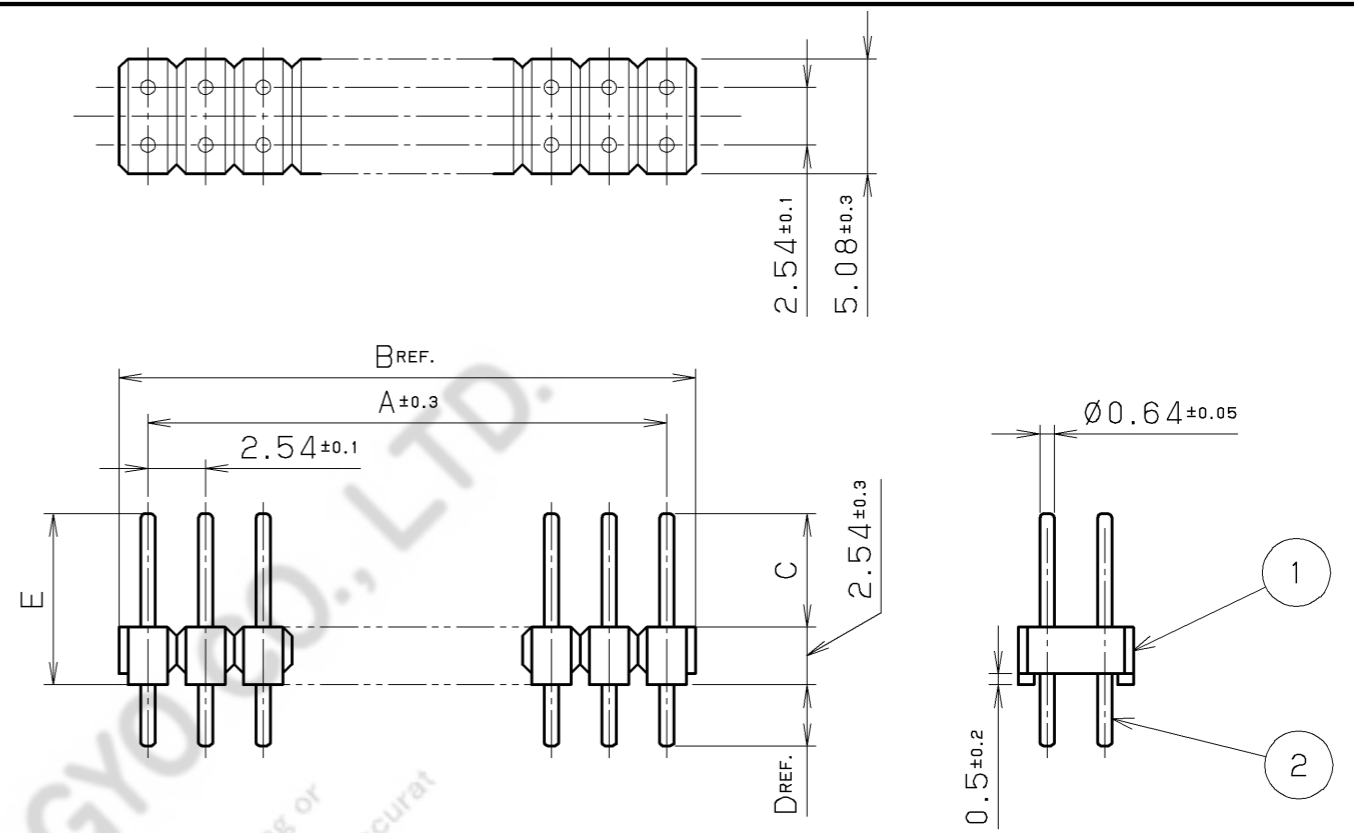


Table1.

No. of contacts	A	BREF.
2	2.54	2.54
4	2.54	5.08
6	5.08	7.62
8	7.62	10.16
10	10.16	12.70
12	12.70	15.24
14	15.24	17.78
16	17.78	20.32
18	20.32	22.86
20	22.86	25.40
22	25.40	27.94
24	27.94	30.48
26	30.48	33.02
28	33.02	35.56
30	35.56	38.10
32	38.10	40.64
34	40.64	43.18
36	43.18	45.72
38	45.72	48.26
40	48.26	50.80
42	50.80	53.34
44	53.34	55.88
46	55.88	58.42
48	58.42	60.96
50	60.96	63.50
52	63.50	66.04
54	66.04	68.58
56	68.58	71.12
58	71.12	73.66
60	73.66	76.20
62	76.20	78.74
64	78.74	81.28
66	81.28	83.82
68	83.82	86.36
70	86.36	88.90
72	88.90	91.44
74	91.44	93.98
76	93.98	96.52
78	96.52	99.06
80	99.06	101.60
82	101.60	104.14
84	104.14	106.68
86	106.68	109.22
88	109.22	111.76
90	111.76	114.30
92	114.30	116.84
94	116.84	119.38
96	119.38	121.92
98	121.92	124.46
100	124.46	127.00

No. of contacts	A	BREF.
102	127.00	129.54
104	129.54	132.08
106	132.08	134.62
108	134.62	137.16
110	137.16	139.70
112	139.70	142.24
114	142.24	144.78
116	144.78	147.32
118	147.32	149.86
120	149.86	152.40
122	152.40	154.94
124	154.94	157.48
126	157.48	160.02
128	160.02	162.56
130	162.56	165.10
132	165.10	167.64
134	167.64	170.18
136	170.18	172.72
138	172.72	175.26
140	175.26	177.80
142	177.80	180.34
144	180.34	182.88



Note1.  
Part No.  
FFC - (n) T1DM1B

Series prefix  
No. of contacts  
Pin length variation  
See table2  
(Leave blank for standard version)  
Contact plating

1:Gold 0.2 μm over nickel  
2:TIN/LEAD 3 μm over copper  
9:Gold 0.1 μm over nickel  
11:Gold 0.05 μm over nickel  
21:Tin/Copper 1 μm over nickel  
22:Tin 1 μm over nickel

Insulator color  
Blank:Blue  
B:Black

Table2.

Part No.	C	DREF.	E
FFC-(1~144) DM ( ) ( )	6 <sup>+0.1</sup> <sub>-0.3</sub>	2.6	
FFC-(1~144) T DM ( ) ( )	5 <sup>+0.1</sup> <sub>-0.3</sub>	2.5	
FFC-(1~144) T1DM ( ) ( )		6	7.2 <sup>-0</sup> <sub>-0.5</sub>
FFC-(1~144) T2DM ( ) ( )	8.26 <sup>+0.1</sup> <sub>-0.3</sub>	2.4	
FFC-(1~144) T3DM ( ) ( )	5.1 <sup>+0.1</sup> <sub>-0.3</sub>	3.5	
FFC-(1~144) T4DM ( ) ( )	2.9 <sup>+0.1</sup> <sub>-0.3</sub>	2.86	
FFC-(1~144) T5DM ( ) ( )	1.95 <sup>+0.1</sup> <sub>-0.3</sub>	1.91	

LTR.	DATE	BY	REV.	DESCRIPT	No.	PART NAME	MATERIAL	QTY	FINISH	NOTE
△3	Dec.19 2006	M.Miyazaki		Add Part.	2	Contact	Brass	n	See Note1.	
△	Jan.12 2006	M.Miyazaki		Delete Part.	1	Insulator	PBT resin	1		UL94V-0 See Note1.

DATE	SCALE	UNIT	3RD. A. P	HONDA TSUSHIN KOGYO CO., LTD.		
Apr.22.2005	5/1	mm (INCH)		DR.	DE.	CHK.
APP. DATE&REV.				CHK.	APP.	
				M. MIYAZAKI	M. MIYAZAKI	C. NUNOKAWA
					K. KASHIO	

NAME	Round Pin Type Male Connector	REV.
PART NO.	FFC- (n) ( ) DM ( ) (B)	2B