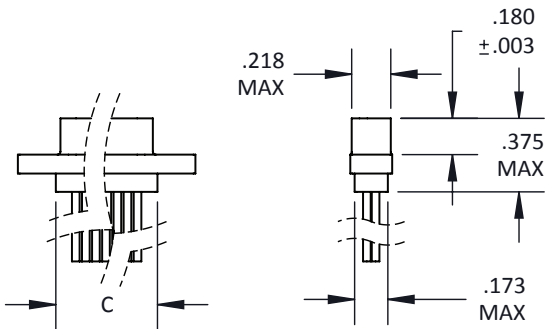
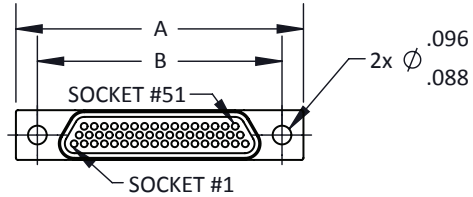
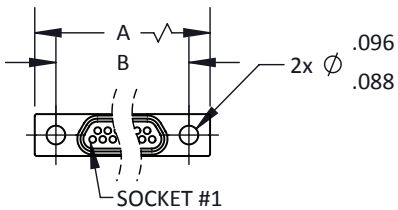
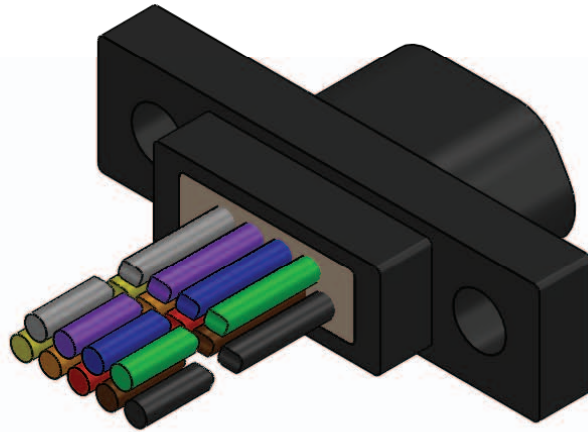
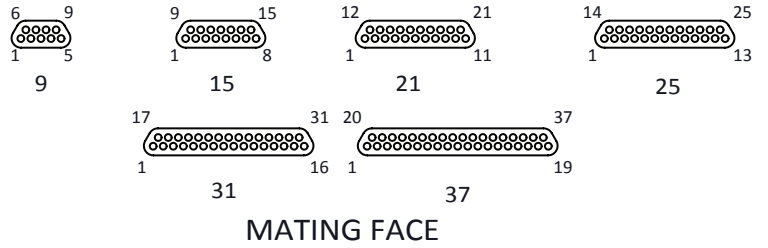
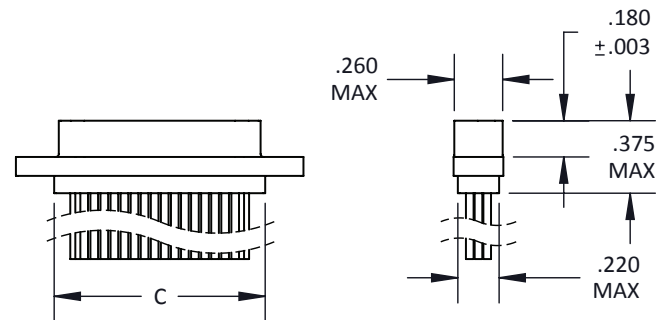


NO. OF CONTACTS	A MAX	B BSC	C MAX
9	.785	.565	.400
15	.935	.715	.550
21	1.085	.865	.700
25	1.185	.965	.800
31	1.335	1.115	.950
37	1.485	1.265	1.100
51	1.435	1.215	1.050

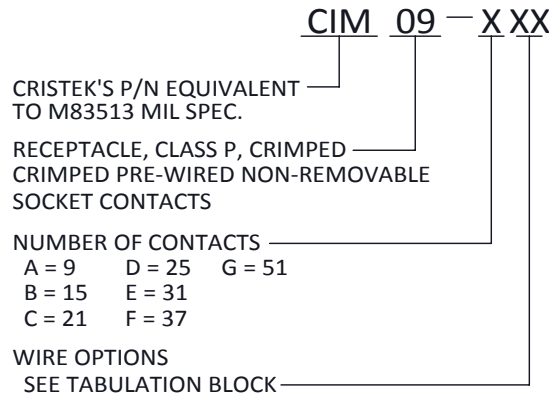


9-37 CONTACTS



51 CONTACTS

WIRE OPTIONS TABULATION BLOCK						
LENGTH	+1.00 -0.00			+0.020 -.000		WIRE TYPE
	18"	36"	72"	.5"	1.0"	
DASH NUMBER	01	02	13	/	/	M22759/11-26-9 (ALL WHITE)
	03	04	14	/	/	M22759/11-26-*** COLOR CODE PER M83513
	09	10	15	/	/	M22759/33-26-9 (ALL WHITE)
	11	12	16	/	/	M22759/33-26-*** COLOR CODE PER M83513
	/	/	/	05	/	QQ-W-343, TYPE S 25 AWG GOLD PLATE .000010" MIN
	/	/	/	/	06	QQ-W-343, TYPE S 25 AWG GOLD PLATE .000010" MIN
	/	/	/	/	07	QQ-W-343, TYPE S 25 AWG TIN/LEAD PLATE .000100" MIN
	/	/	/	/	08	QQ-W-343, TYPE S 25 AWG TIN/LEAD PLATE .000100" MIN



MATERIALS AND FINISHES ARE IAW MIL-DTL-83513 FOR DETAILS SEE MIL SPEC OR WWW.CRISTEK.COM

1. MATERIALS:

ONE PIECE SHELL/INSULATOR - GLASS FILLED THERMOPLASTIC
SOCKET CONTACT - COPPER ALLOY
WIRE - SEE TABULATION BLOCK

2. FINISH:

SOCKET CONTACT - GOLD OVER NICKEL

3. SPECIFICATIONS:

CURRENT RATING ----- 3 AMPS MAX
TEMPERATURE RATING ----- -55° C TO +125° C
INSULATION RESISTANCE ----- 5000 MEGOHMS MIN
DWV AT SEA LEVEL ----- 600 VAC
DWV AT 70,000 FT ALTITUDE -- 150 VAC
CONTACT RESISTANCE:
26 AWG (STRANDED) = 28 MILLIOHMS MAX
24 & 25 AWG (SOLID) = 25 MILLIOHM MAX
CONTACT RETENTION ----- 5 lb MINIMUM AXIAL LOAD
ENGAGEMENT FORCE ----- 6 oz MAX
SEPARATION FORCE ----- 0.5 oz MIN

4. ADDITIONAL INFORMATION:

FOR CROSS-REFERENCING CRISTEK PART NUMBERS TO M83513, SEE CROSS REFERENCE INFORMATION IN THE FRONT OF THIS SECTION. FOR MOUNTING HARDWARE OPTIONS, SEE THE HARDWARE PAGES AT THE END OF THIS SECTION